

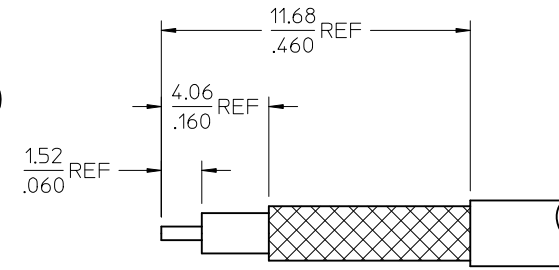
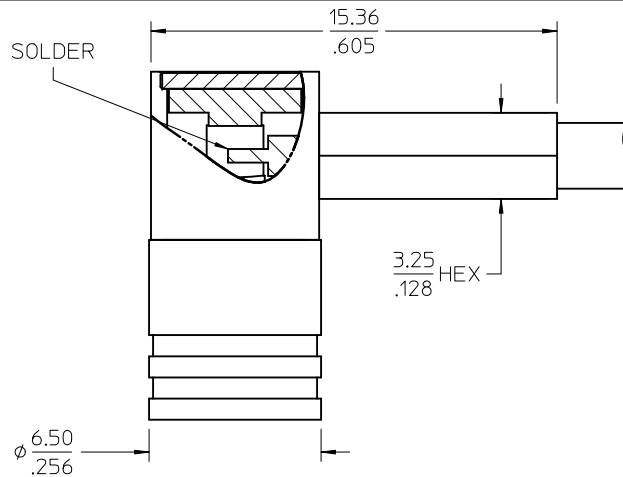
MATERIALS AND FINISHES

BODY, FERRULE, CAP: BRASS
PLATED GOLD

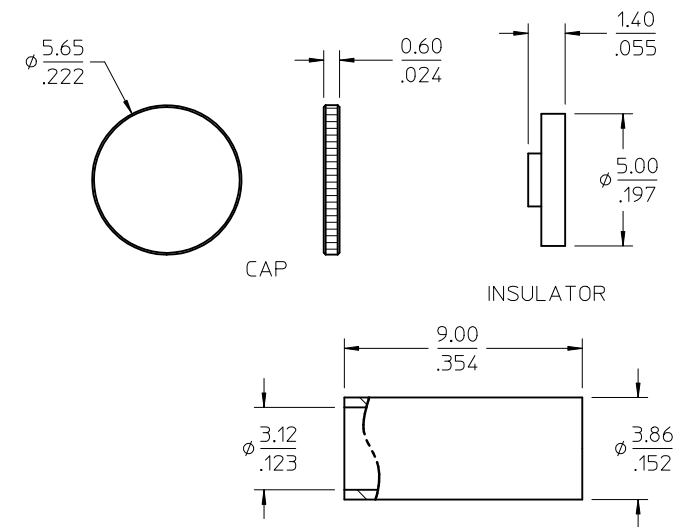
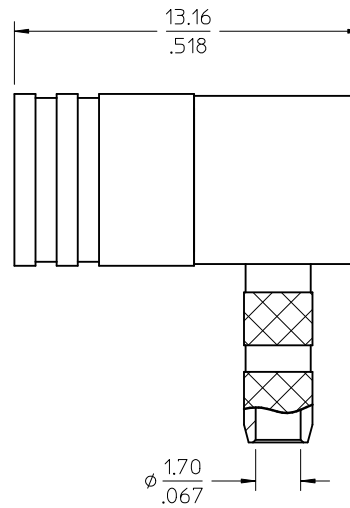
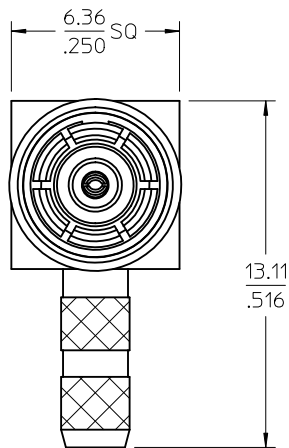
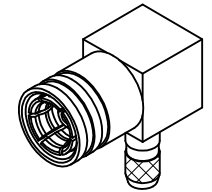
CENTER CONTACT: BERYLLIUM COPPER
PLATED GOLD

INSULATOR: TEFLON

RETAINING RING: BERYLLIUM COPPER



RECOMMENDED STRIP DIMENSIONS



73396-0610	SMALL TRAY PACKING
73404-2320	73100-0257, ONE PER BAG
73100-0257	BULK
PART NO.	PACKAGING

PS-89675-3540	ELECTRO/MECH. PERFORM.
SPECIFICATION	DESCRIPTION

CHG: UPDATE VIEWS
PS WAS 73598-0099
DELETE
AS-73597-0063
EC NO: URF2011-0323
DRWN: JWIENER 2010/12/06
CHKD: SSS 2010/12/06
APPR: JWIENER 2010/12/07

QUALITY SYMBOLS	DESCRIPTION
▽=0	
▽=0	
REV	B4

GENERAL TOLERANCES (UNLESS SPECIFIED)	
mm	INCH
4 PLACES ± .005	± .0005
3 PLACES ± .002	± .0002
2 PLACES ± .001	± .0001
1 PLACE ± .0005	± .00005
ANGULAR ± .005°	
DRAFT WHERE APPLICABLE MUST REMAIN WITHIN DIMENSIONS	

DIMENSION STYLE		SCALE	DESIGN UNITS	THIRD ANGLE PROJECTION
MM/IN			METRIC	
DRAWN BY	DATE	TITLE		
FIELDS	1995/08/29	SMB PLUG R/A 50 OHM RG-316 CABLE SMB-PC/RA		
CHECKED BY	DATE	APPROVED BY		
		JWIENER 2010/12/07		
MATERIAL NO.		DOCUMENT NO.		
SEE TABLE		SD-73100-0257		
SIZE	THIS DRAWING CONTAINS INFORMATION THAT IS PROPRIETARY TO MOLEX INCORPORATED AND SHOULD NOT BE USED WITHOUT WRITTEN PERMISSION			
C				

MOLEX INCORPORATED		SHEET NO.
SD-73100-0257		1 OF 1