

# CGA4J3X5R1H335K125AB

TDK Item Description : CGA4J3X5R1H335KT\*\*\*



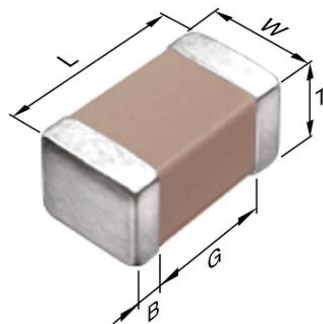
Equivalent C2012X5R1H335K for Automotive

## Application & Main Feature

Automotive Grade ( General (Up to 50V) )

## Series

CGA4(2012) [EIA CC0805]



## Dimensions

- L 2.00mm +/-0.2mm
- W 1.25mm +/-0.2mm
- T 1.25mm +/-0.2mm
- B 0.20mm Min.
- G 0.50mm Min.

## Temperature Characteristic

X5R (-55 to 85 degC +/-15%)

## Rated Voltage

1H (50Vdc)

## Capacitance

3.3uF

## Capacitance Tolerance

K (+/-10%)

## Dissipation Factor

7.5% Max.

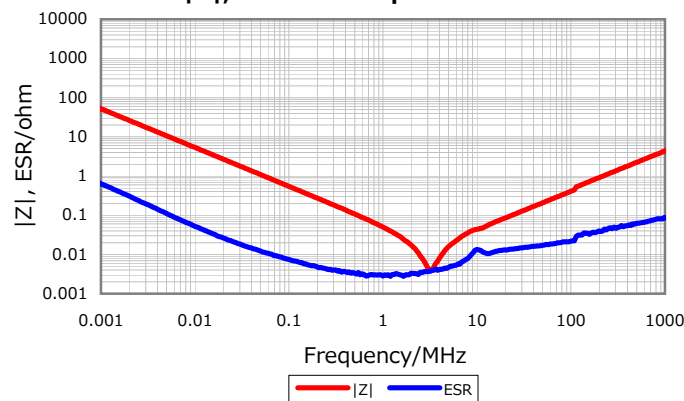
## Insulation Resistance

151Mohm Min.

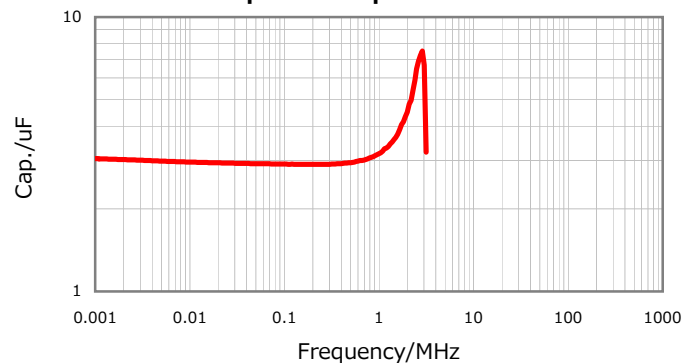
## AEC-Q200

Yes

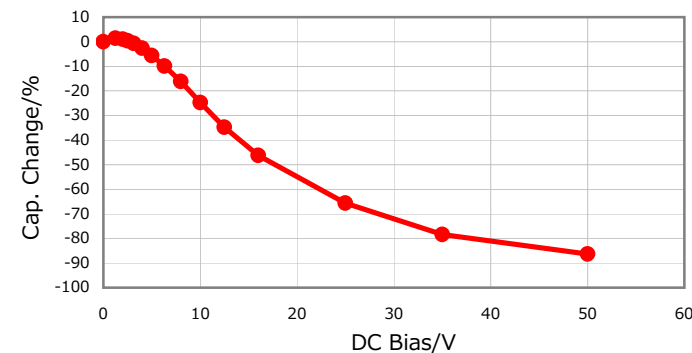
## |Z|, ESR vs. Freq. Characteristics



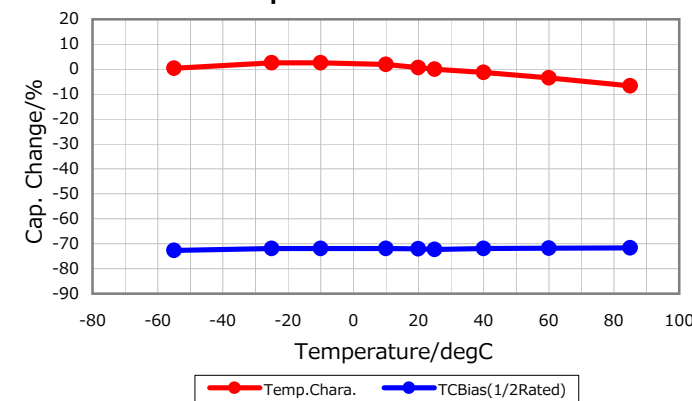
## Cap. vs. Freq. Characteristic



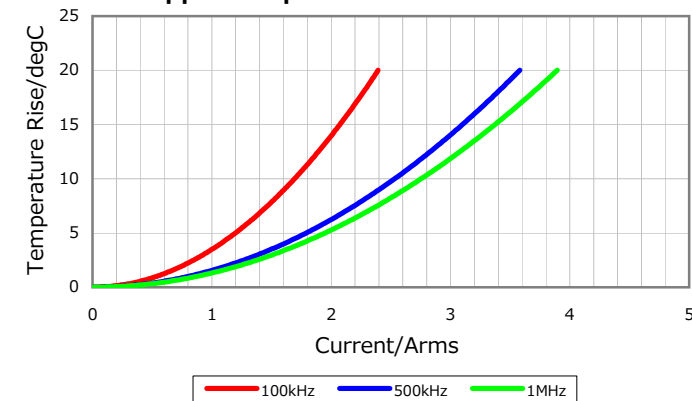
## DC Bias Characteristic



## Temperature Characteristics



## Ripple Temperature Rise Characteristics



Characterization Sheet ( Multilayer Ceramic Chip Capacitors )



All specifications are subject to change without notice.

January 4, 2016