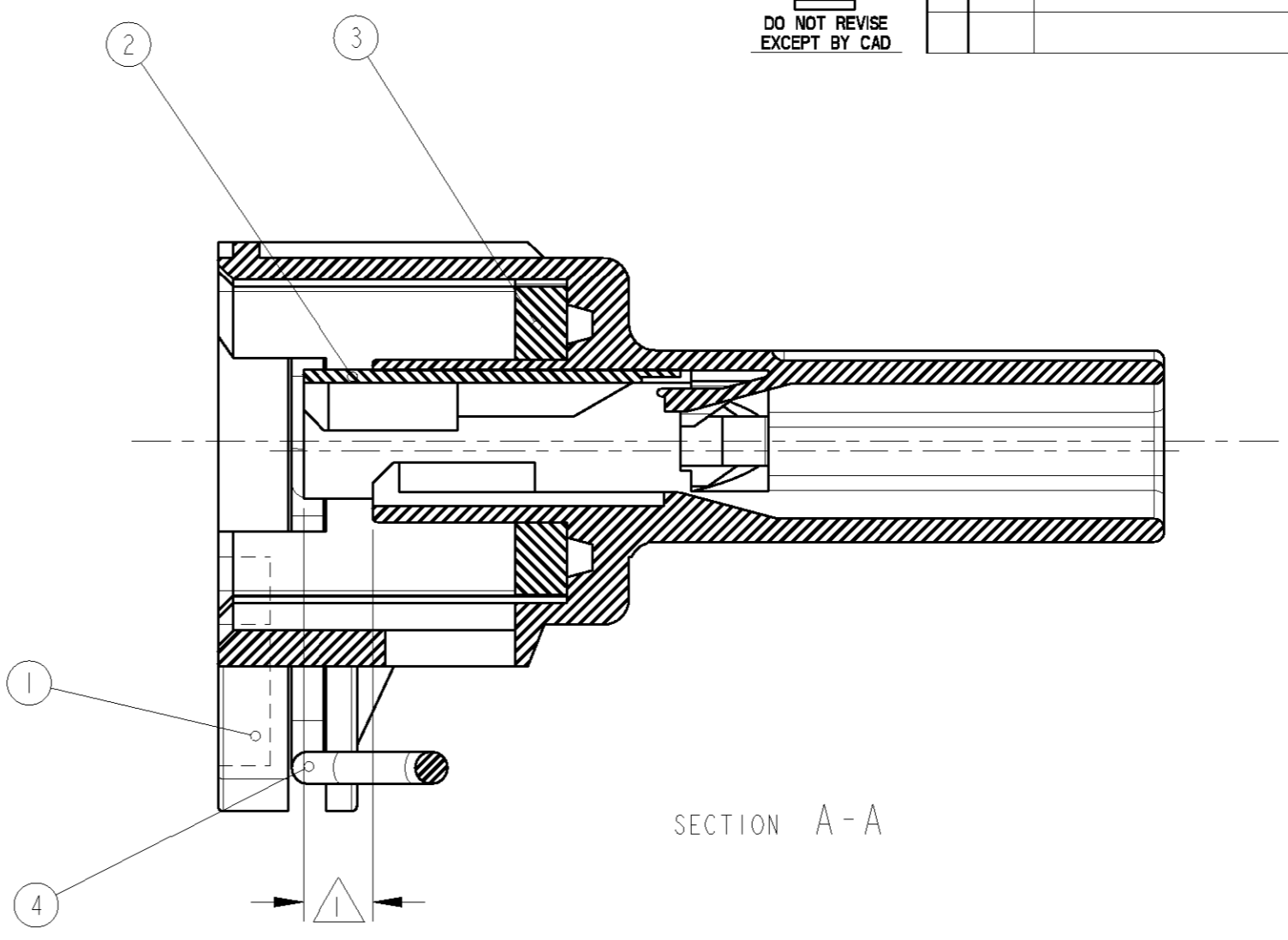
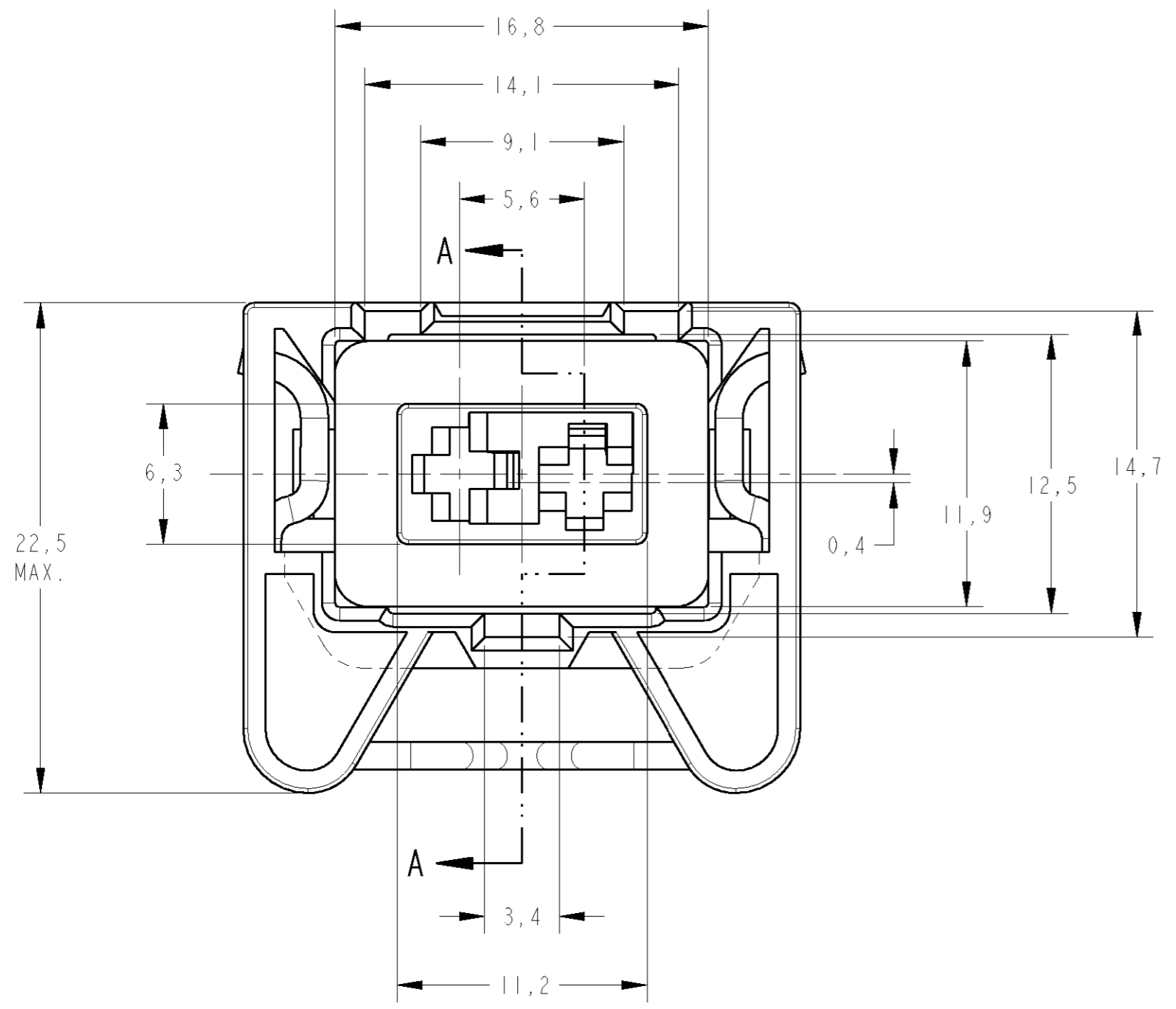


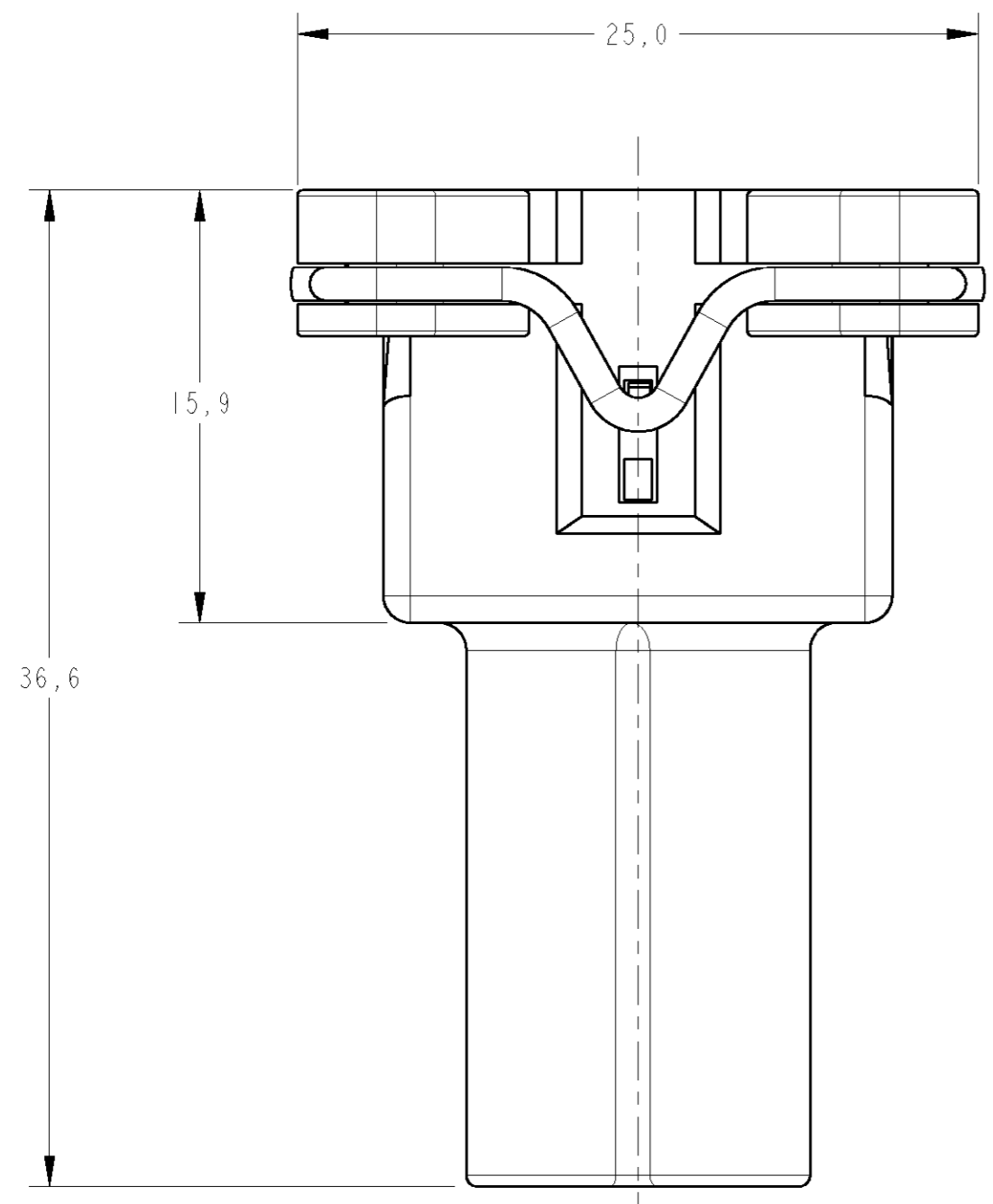
THIS DRAWING IS UNPUBLISHED. RELEASED FOR PUBLICATION 1992
 © COPYRIGHT 2002 BY TYCO ELECTRONICS CORPORATION. ALL RIGHTS RESERVED.

LOC	DIST	REVISIONS					
AP	-	P	LTR	DESCRIPTION	DATE	DWN	APVD
			DI	REVISED BY ECLB0427/01	15FEB2002	AP	PLF

CAD
ProcE
 DO NOT REVISE
 EXCEPT BY CAD



SECTION A-A



PERSPECTIVE VIEWS
 SCALE 1:1

- △ - A POSIÇÃO DE PRÉ-MONTAGEM DEVE SER MANTIDA ENTRE OS ITENS 1 E 2, COMO SERÃO FORNECIDOS.
- 2 - GRAVAÇÕES QUE DEVEM CONSTAR, CONF. TABELA AO LADO.
- 3 - CAVIDADE PARA TERMINAL JUNIOR POWER TIMER COM WIRE SEAL.
- △ - THE PRE MOUNTING POSITION MUST BE MAINTAINED WITHIN ITENS 1 AND 2, AS WILL SUPPLIED.
- 2 - MARKINGS ACC. BESIDE TABLE.
- 3 - CAVITY FOR JUNIOR POWER TIMER WITH WIRE SEAL.

GRAVAÇÃO MARKING
LOGOTIPO AMP AMP LOGO
CÓDIGO PAÍS PRODUTOR MANUFACTURER COUNTRY CODE
NÚMERO COMPONENTE AMP AMP COMPONENT NUMBER
NÚMERO CAVIDADE CAVITY NUMBER
IDENTIFICAÇÃO CIRCUITO CIRCUIT IDENTIFICATION
PAÍS PRODUTOR MANUFACTURER COUNTRY

ITEM	DESCRIPTION	MATERIAL	FINISH
4	SPRING 2 POSN., JPT	AÇO INOX / STAINLESS STEEL	- / -
3	RUBBER SEAL	SILICONE	LARANJA / ORANGE
2	SPACER 2 POSN. 90°, JPT	PBT	AMARELO / YELLOW
1	HOUSING 2 POSN. 90°, JPT	PBT+30% F.V. / G.F.	AMARELO / YELLOW
1	HOUSING 2 POSN. 90°, JPT	PBT+30% F.V. / G.F.	VERDE / GREEN
1	HOUSING 2 POSN. 90°, JPT	PBT+30% F.V. / G.F.	AZUL / BLUE
1	HOUSING 2 POSN. 90°, JPT	PBT+30% F.V. / G.F.	MARROM / BROWN
1	HOUSING 2 POSN. 90°, JPT	PBT+30% F.V. / G.F.	CINZA CLARO / LIGHT GRAY
1	HOUSING 2 POSN. 90°, JPT	PBT+30% F.V. / G.F.	VERMELHO / RED
1	HOUSING 2 POSN. 90°, JPT	PBT+30% F.V. / G.F.	NATURAL
1	HOUSING 2 POSN. 90°, JPT	PBT+30% F.V. / G.F.	PRETO / BLACK

REQ. PER ASSY		ITEM	DESCRIPTION	MATERIAL	FINISH						
-9	-8	-7	-6	-5	-4	-3	-2	-1			
444071											

THIS DRAWING IS A CONTROLLED DOCUMENT FOR TYCO ELECTRONICS CORPORATION IT IS SUBJECT TO CHANGE AND THE CONTROLLING ENGINEERING ORGANIZATION SHOULD BE CONTACTED FOR THE LATEST REVISION.		DWN A. PERUSSI 15FEB02 CHK P. L. FARIA 15FEB02 APVD D. A. OLIVEIRA 15FEB02	AMP do Brasil LTDA. Sao Paulo, Brasil
DIMENSIONS: mm 	TOLERANCES UNLESS OTHERWISE SPECIFIED: 0 PLC ± 1 PLC ±0.2 2 PLC ± 3 PLC ± 4 PLC ± ANGLES ±° FINISH SEE TABLE	PRODUCT SPEC - / - APPLICATION SPEC - / - WEIGHT - / -	NAME HOUSING ASS'Y., 2 POSN. JUNIOR POWER TIMER SIZE A2 CAGE CODE 00779 DRAWING NO. 444071 RESTRICTED TO - / - SCALE 4:1 SHEET 1 OF 1 REV D1

444071

A