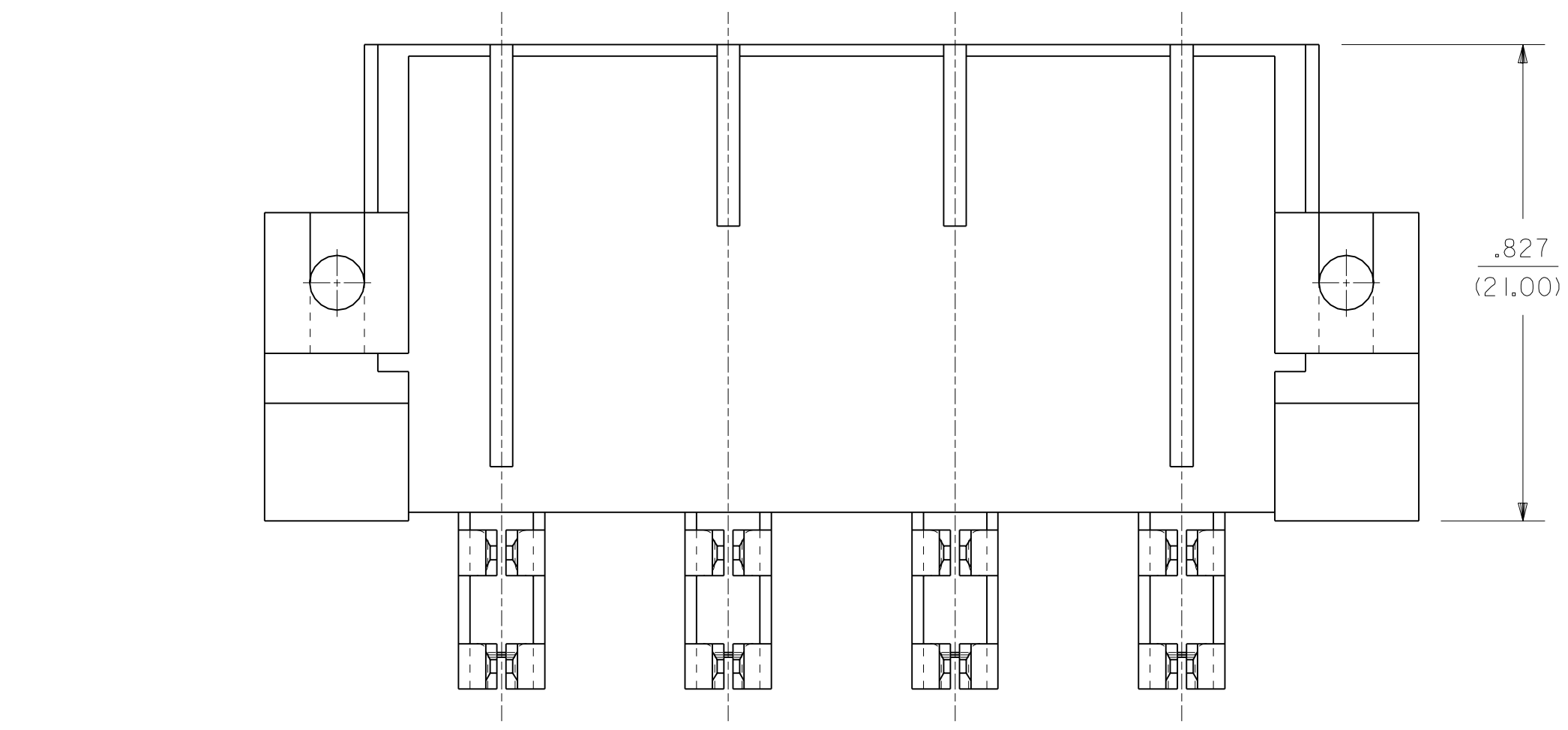


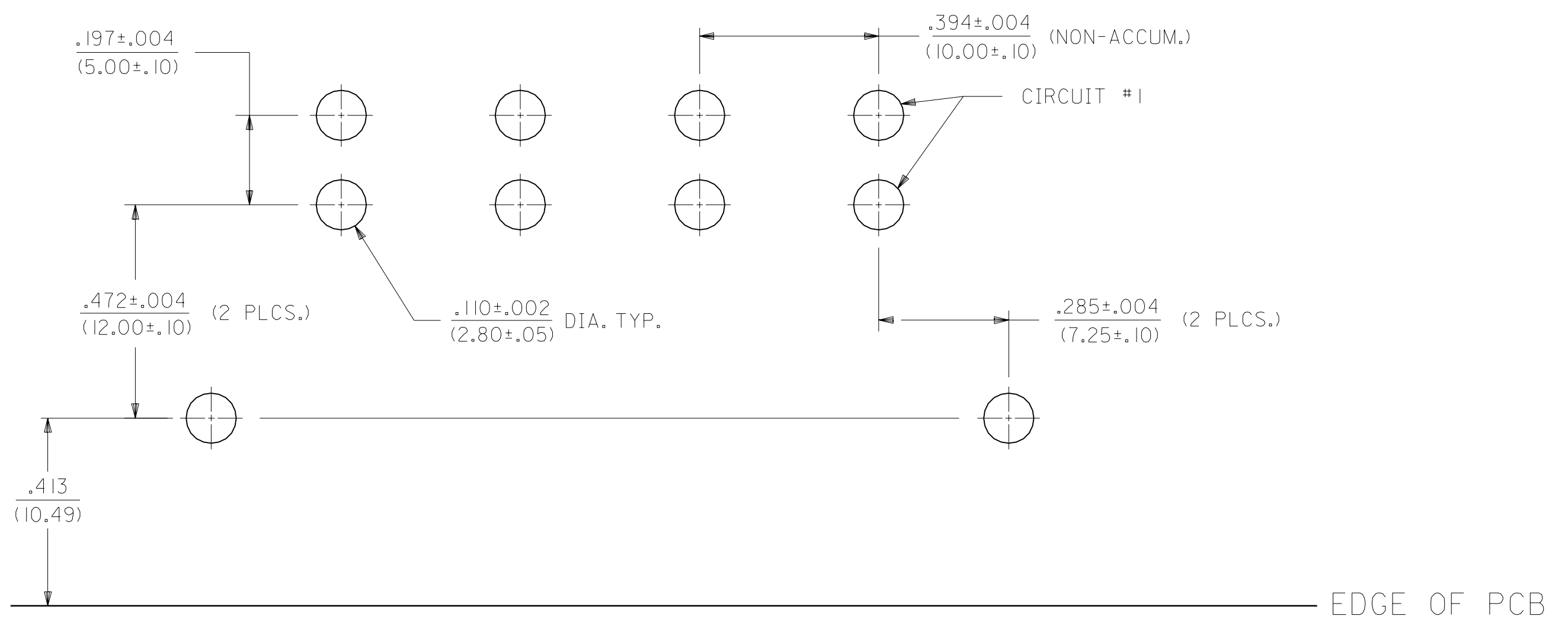
ITEM NUMBER	CKT. SIZE	DIM. "B"	DIM. "A"
42820-2112	2	.823/(20.90)	.138/(3.50)
42820-2122	2	.823/(20.90)	.201/(5.10)
42820-3112	3	1.217/(30.90)	.138/(3.50)
42820-3122	3	1.217/(30.90)	.201/(5.10)
42820-4112	4	1.610/(40.90)	.138/(3.50)
42820-4122	4	1.610/(40.90)	.201/(5.10)
42820-5112	5	2.004/(50.90)	.138/(3.50)
42820-5122	5	2.004/(50.90)	.201/(5.10)
42820-6112	6	2.398/(60.90)	.138/(3.50)
42820-6122	6	2.398/(60.90)	.201/(5.10)



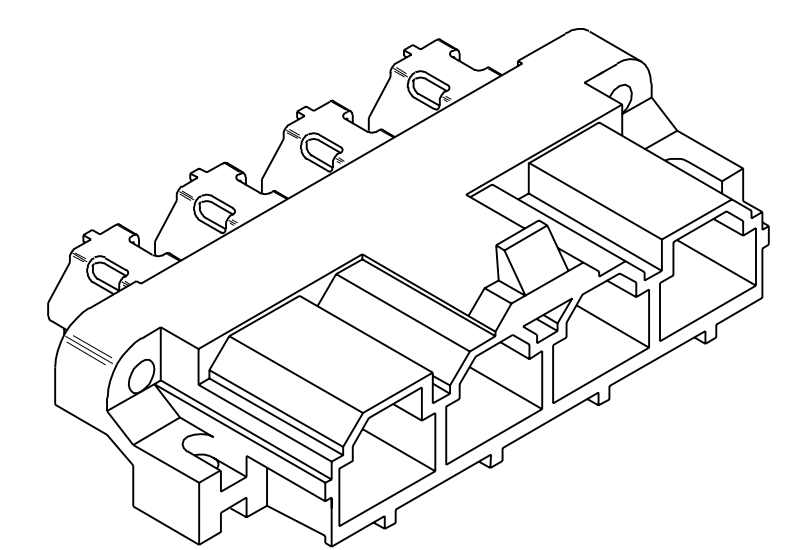
- NOTES:**
- 1) HOUSING MATERIAL: 30% GLASS-FILLED 4/6 NYLON, U.L. 94V-0, COLOR: BLACK.
  - 2) TERMINAL MATERIAL: ALLOY 151.
  - 3) PART MATES WITH MOLEX RECEPTACLE #42816-\*\*\*2 WITH TPA.
  - 4) PART IS DESIGNED IN METRIC.
  - 5) AN "X" IN FRONT OF THE ITEM NUMBER INDICATES THE PART IS NOT TOOLED.
  - 6) TERMINAL PLATING: .000100/(.00254) MIN. TIN-LEAD (90/10) OVER .000030/(.00076) MIN. NICKEL.
  - 7) FOR HIGH VIBRATION APPLICATIONS, MOLEX STRONGLY RECOMMENDS THE USE OF NYE LUBRICANT NYOGEL 760G ON THE MATING SURFACES OF THE TERMINAL.

**LEGEND:**

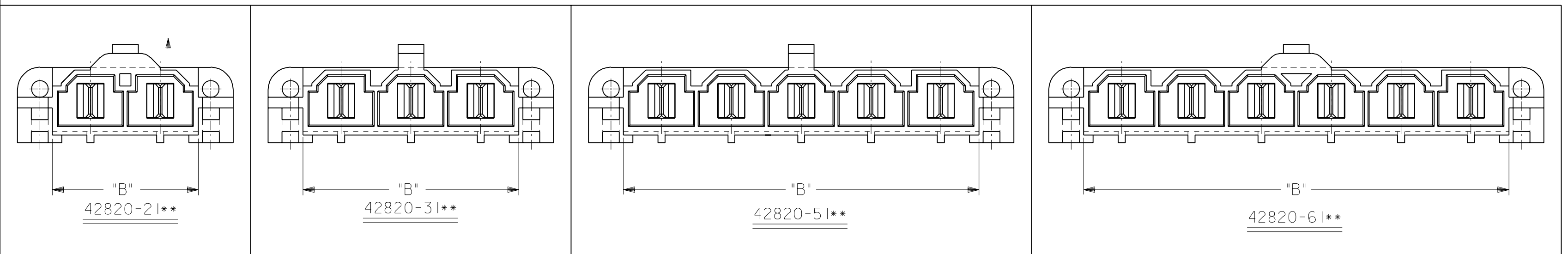
- A-42820 - \* \* \* \* 2  
CIRCUIT SIZE (2-6)
- MOUNTING OPTION**
- 1 = FLANGES
  - 2 = RETENTION CLIP (SEE DWG. SDA-42820-0002)
- P.C. BOARD THICKNESS**
- 1 = .062/(1.57) NOMINAL
  - 2 = .125/(3.18) NOMINAL



RECOMMENDED P.C. BOARD PLATED-THRU HOLE LAYOUT  
(4 CKT. SHOWN FOR REF.)



RIGHT ANGLE HEADER WITH FLANGES  
(SCALE: 2X)



REV.	DESCRIPTION	DATE
B1	ADDED PCB EDGE UCR 1999-0815 COMERC1 99-05-28	
B	ADDED NOTE 7 UCR 1999-0195 ELHAG 98-09-25	
A	REV. & FINAL REL. ECN U70468 POLGAR 96-10-22	
11	12.00 WAS 11.90 ECN U60950 GEP 2-12-96	
10	REVISED DRAWING ECN U60140 96-01-04 KSM	
9	REVISED POLAR. ECN U60211 95-09-06 A.GUZZIK	
8	REVISED RAMP PER ECN U50569 GEP 12-14-94	
7	REVISED PLATING PER ECN U40827 94-7-12 RJF	
6	REV. PICTORIALY ECN U40455 GEP 4-19-94	
5	REV. PICTORIALY ECN U40455 GEP 4-11-94	
4	10mm CTR. WAS 7.5 ECN U40264 94-2-24 RJF	
3	ADD ISO VIEW ECN *U3169 93/08/17 A.GUZZIK	
2	REVISED PER ECN U3-0837 93/06/02 A.GUZZIK	
1	X-RELEASE PER ECN U3-0729 93/05/18 A.GUZZIK	

MFG. SH. REV. LTR. REVISIONS

**RIGHT ANGLE HEADER ASSEMBLY (MINI-FIT, SENIOR SERIES)**

MOLEX INCORPORATED

SEE CHART SDA-42820-\*\*\*

DRWG. NO. 60532

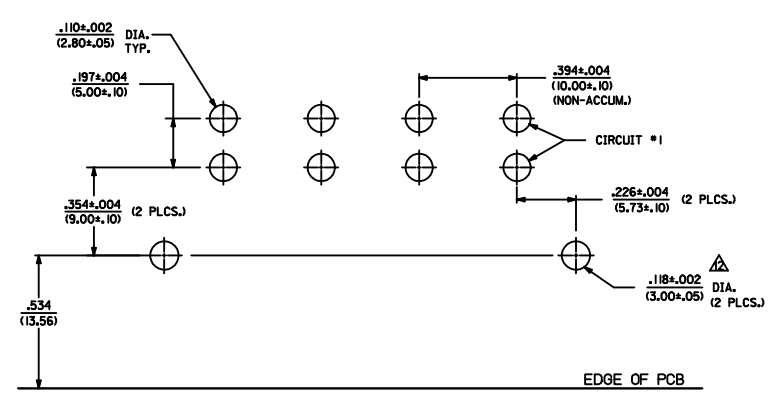
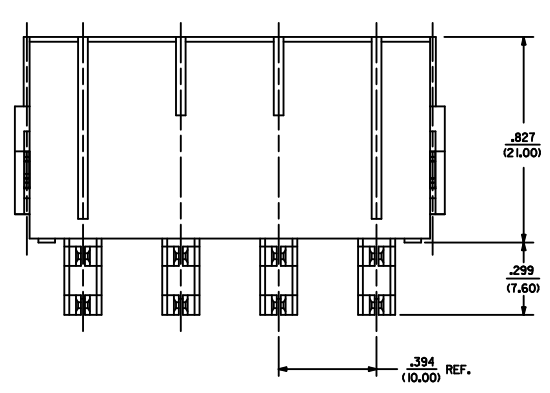
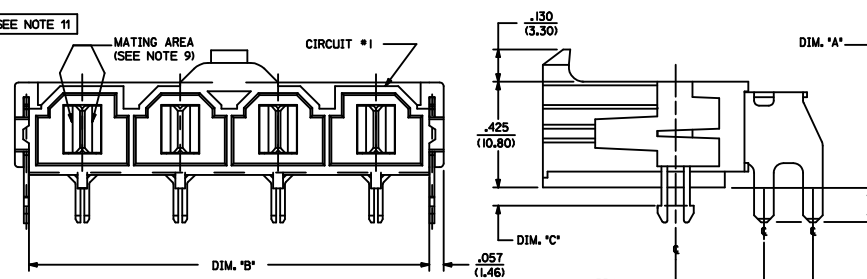
DATE 10/93/05/18

DRWG. BY AFG CHK'D. BY RJF

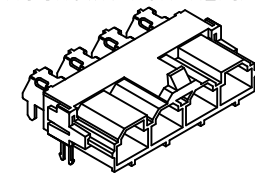
APP'D. BY RJF SCALE 4:1

THIS DRAWING CONTAINS INFORMATION THAT IS PROPRIETARY TO MOLEX INC. AND SHOULD NOT BE USED WITHOUT WRITTEN PERMISSION.

ITEM NUMBER	CKT. SIZE	DIM. 'A'	DIM. 'B'	DIM. 'C'	TERMINAL PLATING	CLIP PLATING
42820-2212	2	.138/(3.50)	.823/(20.90)	.071/(1.80)		SEE NOTE 11
42820-2219	2	.136/(3.50)	.823/(20.90)	.071/(1.80)		
42820-2222	2	.201/(5.10)	.823/(20.90)	.102/(2.60)		
42820-2232	2	.201/(5.10)	.823/(20.90)	.134/(3.40)		
42820-2239	2	.201/(5.10)	.823/(20.90)	.134/(3.40)		
42820-2242	2	.327/(8.30)	.823/(20.90)	.259/(6.58)		
42820-3212	3	.138/(3.50)	1.217/(30.90)	.071/(1.80)		
42820-3222	3	.201/(5.10)	1.217/(30.90)	.102/(2.60)		
42820-3229	3	.201/(5.10)	1.217/(30.90)	.102/(2.60)		
42820-3232	3	.201/(5.10)	1.217/(30.90)	.134/(3.40)		
42820-3242	3	.327/(8.30)	1.217/(30.90)	.259/(6.58)		
42820-4212	4	.138/(3.50)	1.610/(40.90)	.071/(1.80)	OVERALL BRIGHT TIN	
42820-4312	4	.138/(3.50)	1.610/(40.90)	N/A		
42820-4222	4	.201/(5.10)	1.610/(40.90)	.102/(2.60)		
42820-4232	4	.201/(5.10)	1.610/(40.90)	.134/(3.40)		
42820-4242	4	.327/(8.30)	1.610/(40.90)	.259/(6.58)		
42820-5212	5	.138/(3.50)	2.004/(50.90)	.071/(1.80)		
42820-5222	5	.201/(5.10)	2.004/(50.90)	.102/(2.60)		
42820-5232	5	.201/(5.10)	2.004/(50.90)	.134/(3.40)		
42820-5242	5	.327/(8.30)	2.004/(50.90)	.259/(6.58)		
42820-6212	6	.138/(3.50)	2.389/(60.90)	.071/(1.80)		
42820-6222	6	.201/(5.10)	2.389/(60.90)	.102/(2.60)		
42820-6229	6	.201/(5.10)	2.389/(60.90)	.102/(2.60)		
42820-6232	6	.201/(5.10)	2.389/(60.90)	.134/(3.40)		
42820-6242	6	.327/(8.30)	2.389/(60.90)	.259/(6.58)		
42820-2332	2	.201/(5.10)	.823/(20.90)	N/A	NONE	
42820-2342	2	.327/(8.30)	.823/(20.90)	N/A		
42820-2213	2	.138/(3.50)	.823/(20.90)	.071/(1.80)		
42820-2223	2	.201/(5.10)	.823/(20.90)	.102/(2.60)		
42820-2233	2	.201/(5.10)	.823/(20.90)	.134/(3.40)		
42820-2243	2	.327/(8.30)	.823/(20.90)	.259/(6.58)		
42820-3213	3	.138/(3.50)	1.217/(30.90)	.071/(1.80)		
42820-3228	3	.138/(3.50)	1.217/(30.90)	.102/(2.60)		
42820-3223	3	.201/(5.10)	1.217/(30.90)	.102/(2.60)		
42820-3233	3	.201/(5.10)	1.217/(30.90)	.134/(3.40)		
42820-3243	3	.327/(8.30)	1.217/(30.90)	.259/(6.58)		
42820-4213	4	.138/(3.50)	1.610/(40.90)	.071/(1.80)		
42820-4223	4	.201/(5.10)	1.610/(40.90)	.102/(2.60)	SELECT GOLD IN CONTACT AREA	
42820-4233	4	.201/(5.10)	1.610/(40.90)	.134/(3.40)	SELECT MATTE TIN ON SOLDER TAILS	
42820-4243	4	.327/(8.30)	1.610/(40.90)	.259/(6.58)		
42820-5213	5	.138/(3.50)	2.004/(50.90)	.071/(1.80)		
42820-5223	5	.201/(5.10)	2.004/(50.90)	.102/(2.60)		
42820-5233	5	.201/(5.10)	2.004/(50.90)	.134/(3.40)		
42820-5243	5	.327/(8.30)	2.004/(50.90)	.259/(6.58)		
42820-6213	6	.138/(3.50)	2.389/(60.90)	.071/(1.80)		
42820-6223	6	.201/(5.10)	2.389/(60.90)	.102/(2.60)		
42820-6233	6	.201/(5.10)	2.389/(60.90)	.134/(3.40)		
42820-6243	6	.327/(8.30)	2.389/(60.90)	.259/(6.58)		



RECOMMENDED P.C. BOARD PLATED-THRU HOLE LAYOUT  
(4 CKT. SHOWN FOR REF.)



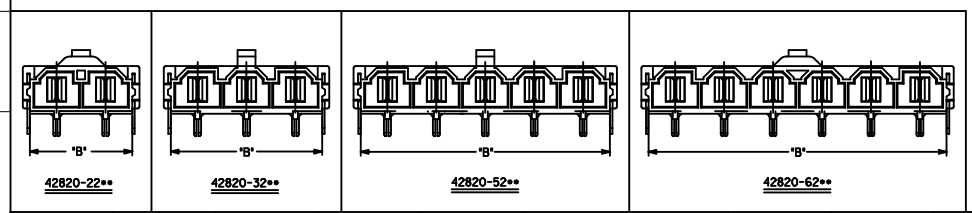
HEADER WITH RT. ANGLE TERMINAL & CLIP  
ISO VIEW

**LEGEND:**  
A-42820 - -   
CIRCUIT SIZE (2-6)

**MOUNTING OPTION**  
1 = FLANGES (SEE DWG. SDA-42820-\*\*\*)  
2 = RETENTION CLIP  
3 = NO RETENTION CLIP

**P.C. BOARD THICKNESS**  
1 = .062/(1.57) NOMINAL  
2 = .093/(2.36) NOMINAL  
3 = .125/(3.18) NOMINAL  
4 = .250/(6.35) NOMINAL

**PLATING**  
2 OR 9 = OVERALL BRIGHT TIN OVER NICKEL  
3 OR 8 = SELECT GOLD IN CONTACT AREA  
SELECT MATTE TIN ON SOLDER TAILS OVER NICKEL



ADD P/N 42820-4312 EC NO. UCP2012-245 DRAWN: AELHAG CHKD: J.BELL APPR: F.S.MITH REV	QUALITY SYMBOLS ▽=0 ▽=0	GENERAL TOLERANCES (UNLESS SPECIFIED)		DIMENSION STYLE IN/MM		SCALE 4:1	DESIGN UNITS METRIC	THIRD ANGLE PROJECTION
		4 PLACES ±.005	±.005	INCH	DATE 2010/08/05	TITLE RIGHT ANGLE HEADER ASSEMBLY MINIFIT SR. SERIES		
		3 PLACES ±.005	±.005		DATE 2010/08/05	MOLEX INCORPORATED		
		2 PLACES ±0.25	±.005		DATE 2010/08/26	DOCUMENT NO. SDA-42820-0002		
		1 PLACE ±0.40	±.005		DATE 2010/08/26	SHEET NO. 1 OF 1		
		ANGULAR ±17°		DRAFT WHERE APPLICABLE MUST REMAIN WITHIN DIMENSIONS		THIS DRAWING CONTAINS INFORMATION THAT IS PROPRIETARY TO MOLEX INCORPORATED AND SHOULD NOT BE USED WITHOUT WRITTEN PERMISSION		