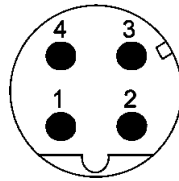


M12 Crimp D-coded



Mating face



D-coding
Mating face
acc. to IEC 61076-2-101



Identification

Part No.

Drawing

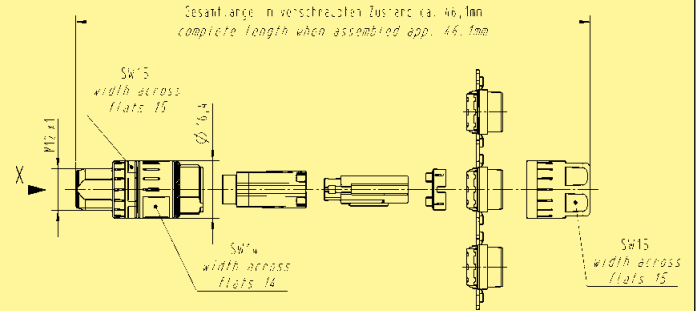
Dimensions in mm

M12 Crimp Slim design, shielded



Male
4 poles, D-coding
Cable: 4.4 - 8.8 mm
outer diameter

21 03 881 1405*

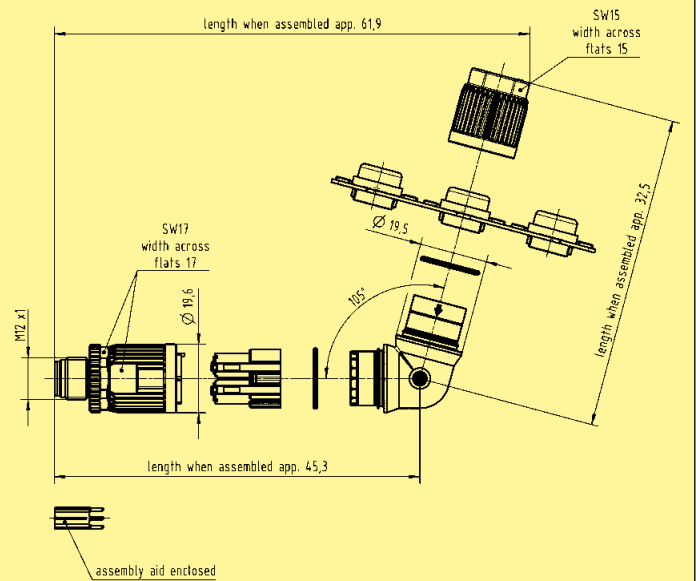


M12 Crimp, shielded



Male
4 poles, D-coding
angled

21 03 882 3405*



03

03
69