

NEW



Small Coaxial Connectors for Automotive Antenna

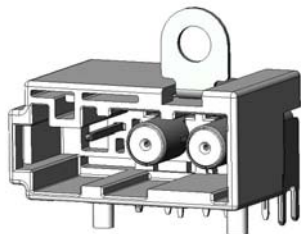
CONNECTOR

MB-0196-3

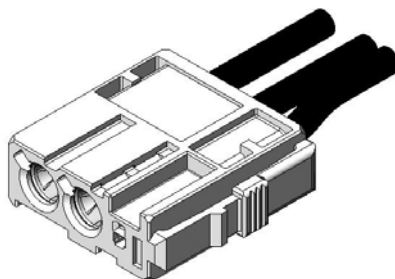
December 2008

CE2 Series

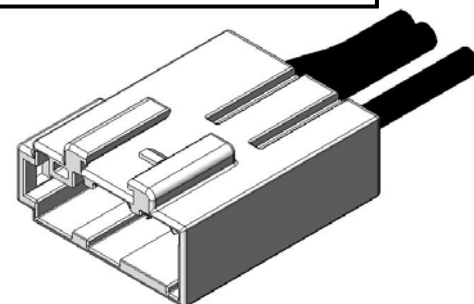
RoHS Compliant



Board Connector



Cable Connector



Relay Connector

JAE has developed the CE2 Series small coaxial connector for automotive antenna applications.

It is designed for an antenna with frequency up to 1GHz for terrestrial digital media broadcasting, car audio, and car navigation.

The CE2 is available with one or two contact positions and a terminal for power. Two types of metal bracket shapes are available for the board connector.

It is a rugged product with reinforced terminal pulling endurance and improved noise resistance.

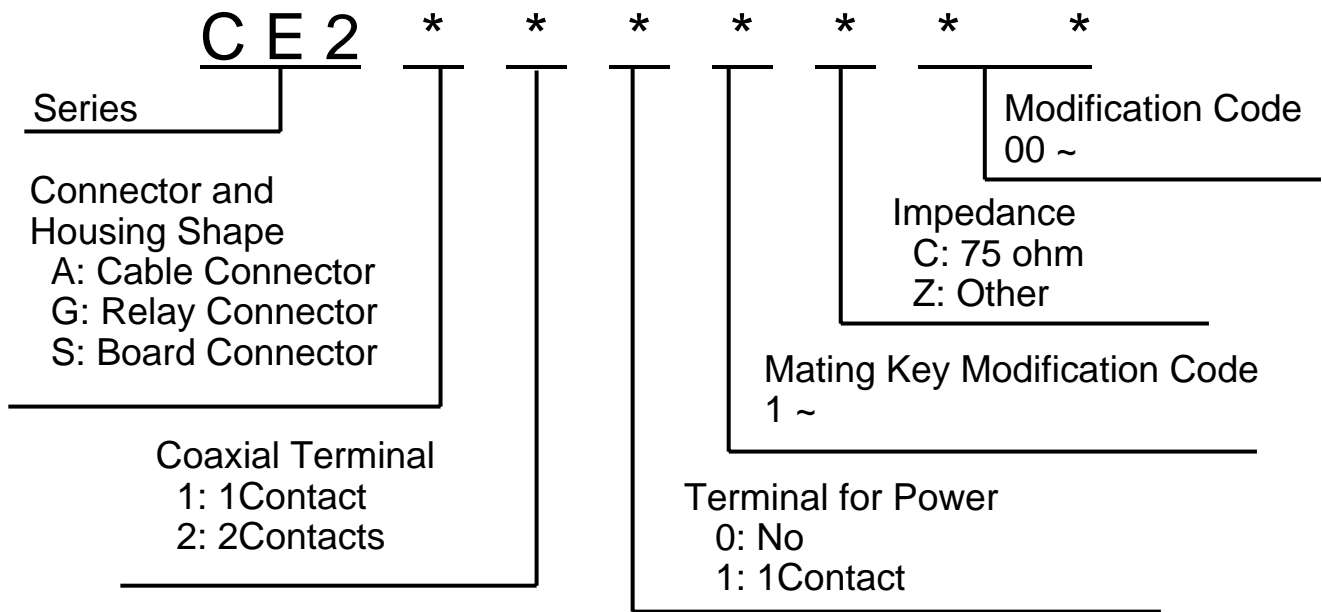
Features

- Applicable frequency range up to 1GHz.
- Compact type available in several combinations of position and variations, including two types of bracket shapes (board connector) for screw fixing to panel.
- Reinforced-type coaxial connector that endures pulling strength over 100N.
- Noise resistance characteristic improved by outer terminal that covers entire cable core area.
- Meets the performance required for an automotive connector.

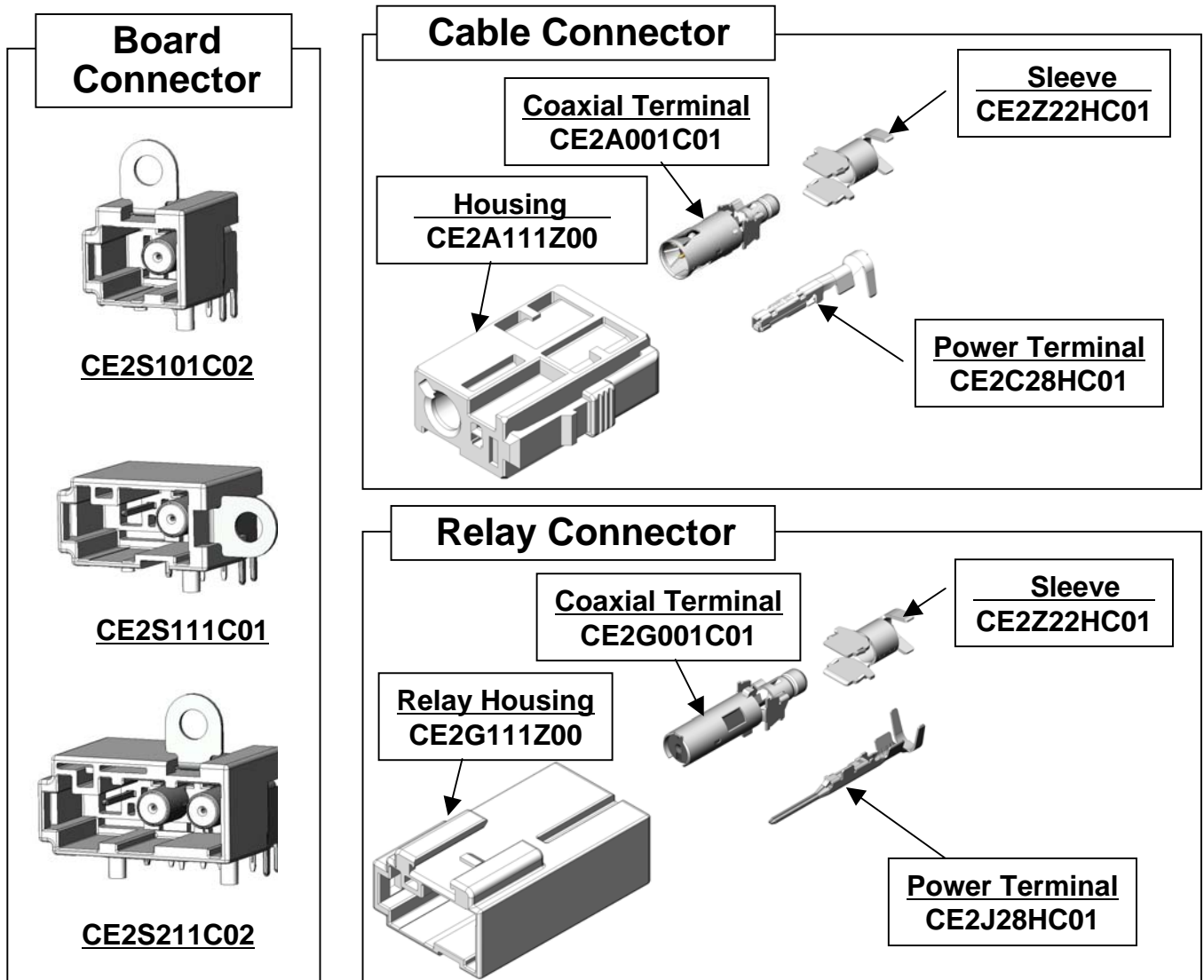
General Specifications

- | | |
|--|--|
| ■ No. of Contacts: 1, 2 pos.
(each available with terminal for power) | ■ Insertion Loss: 0.3 dB max. |
| ■ Applicable Frequency: DC to 1GHz | ■ Dielectric Withstanding Voltage:
AC1000Vr.m.s. (per minute) |
| ■ Characteristic Impedance: 75 ohm | ■ Insulation Resistance: 100M ohm min. |
| ■ VSWR: 1.5 max. | ■ Applicable Cable: EM-1.5CS-QFBE
or 1.5C-2V equivalent coaxial connector |

Product Information (Connector)



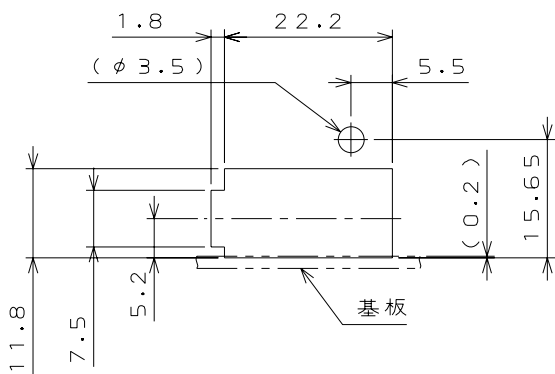
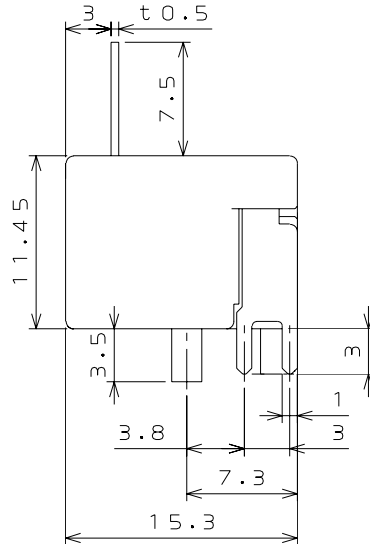
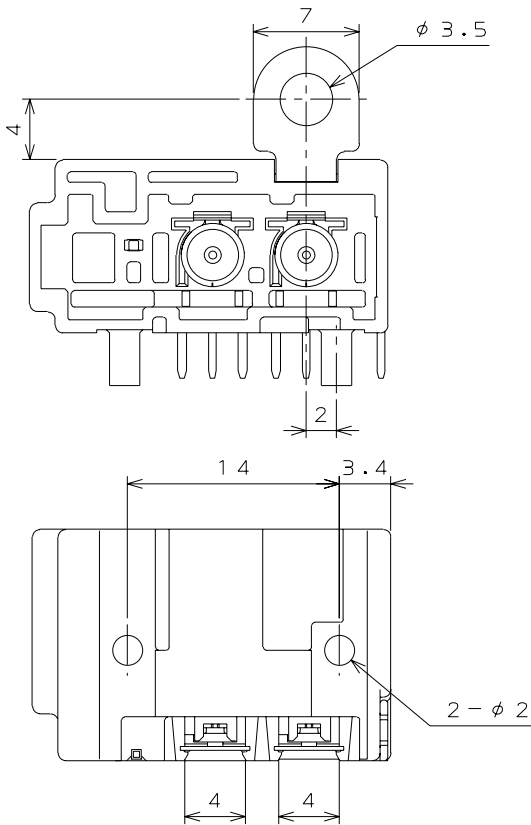
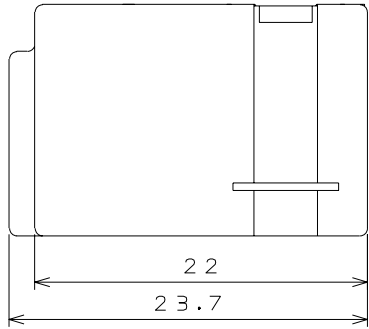
Connector Configuration (Typical Example)



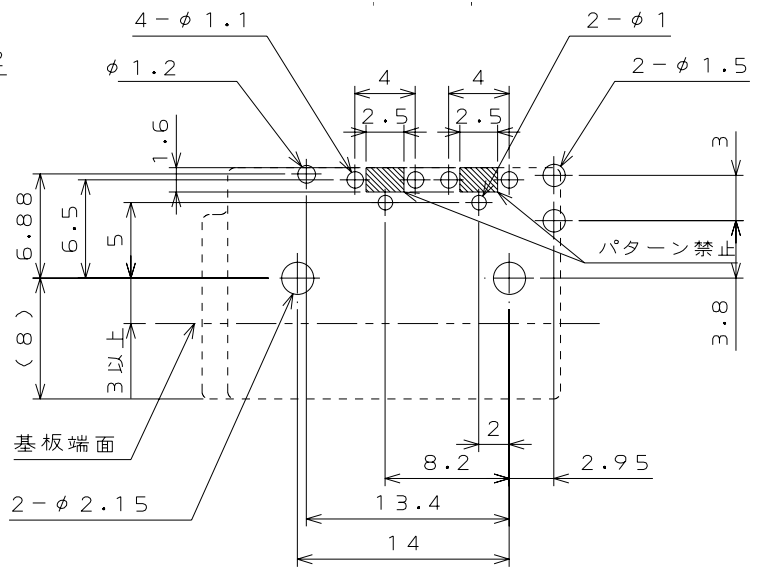
Board Connector (Typical Example)

■ CE2S211C02 (Coaxial 2 pos., Power Terminal 1 pos., With Bracket [Upward])

Component	Material / Finish
Housing	30%GF PBT(Color: Light Gray)
Inner Terminal (Coaxial)	Copper alloy / Contact area: Au plating over Ni Solder area: Sn plating over Ni
Outer Terminal (Coaxial)	Copper alloy / Sn plating
Power Terminal	Copper alloy / Sn plating
Bracket	Copper alloy / Sn plating



PANEL HOLE PATTERNS (REF.)
パネル取付穴寸法 (参考)

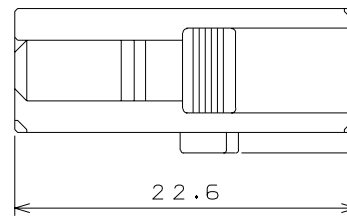
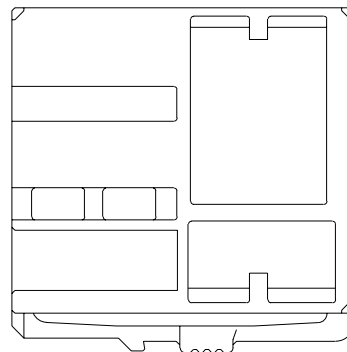
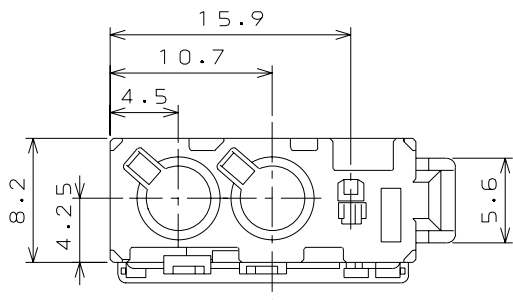


P.C.B. LAYOUT MOUNTING SIDE (REF.)
基板取付穴寸法 (参考・装着面)

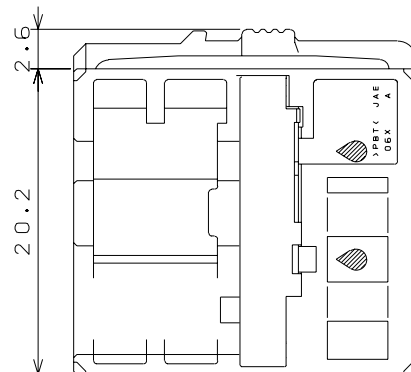
Housing (Typical Example)

■ CE2A211Z00 (Coaxial 2 pos., Power Terminal 1pos.)

Component	Material / Finish
Housing	PBT (Color: Light Gray)
Retainer	PBT (Color: Gray)



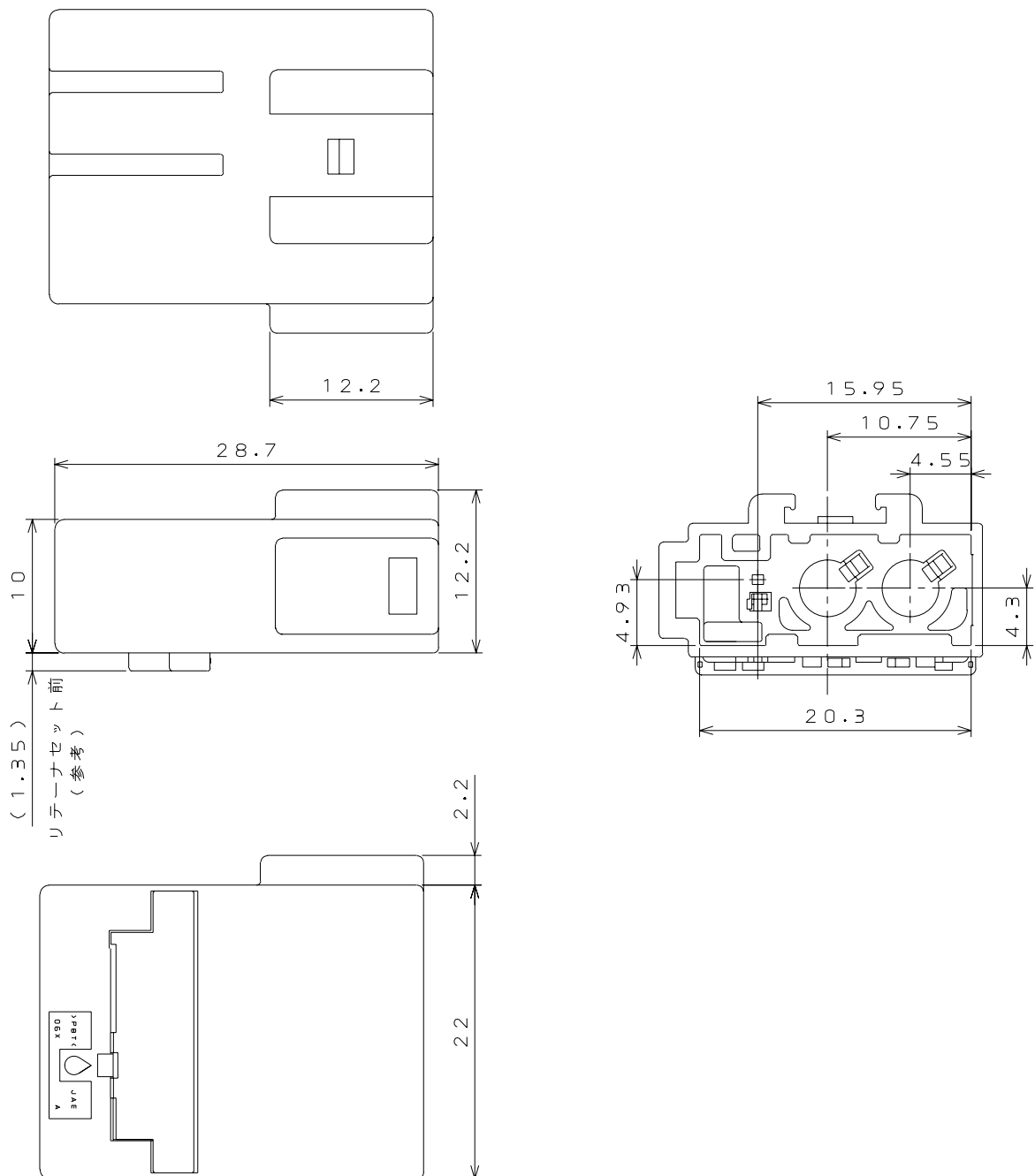
(1.35)
リテーナセット前(参考)



Relay Housing (Typical Example)

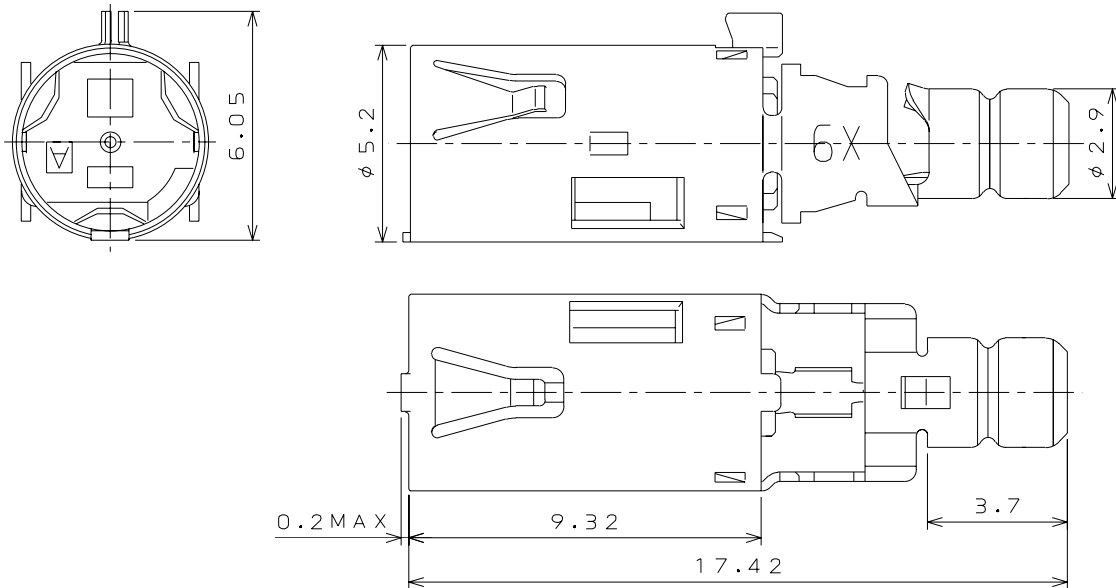
■ CE2G211Z00 (Coaxial 2 pos., Power Terminal 1 pos.)

Component	Material / Finish
Housing	PBT (Color: Light Gray)
Retainer	PBT (Color: Gray)



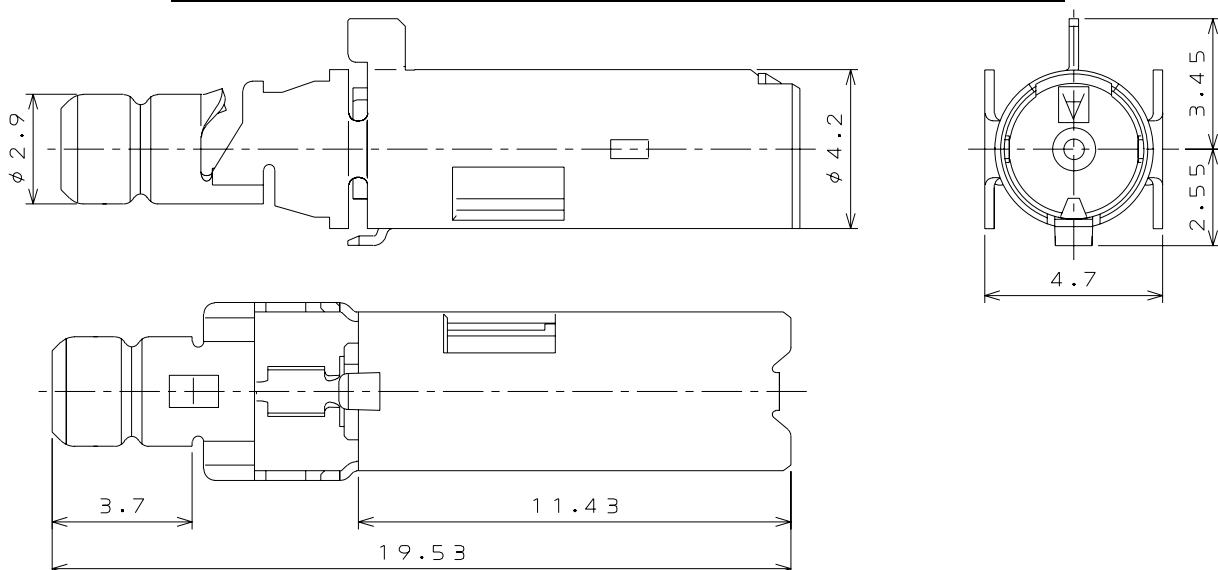
Terminal ■ CE2A001C01 Coaxial Terminal (for Cable)

Component	Material / Finish
Inner Housing	30%GF SPS (Color: Black)
Inner Terminal	Copper alloy / Contact area: Au plating over Ni Solder area: Sn plating over Ni
Outer Terminal	Copper alloy / Sn plating



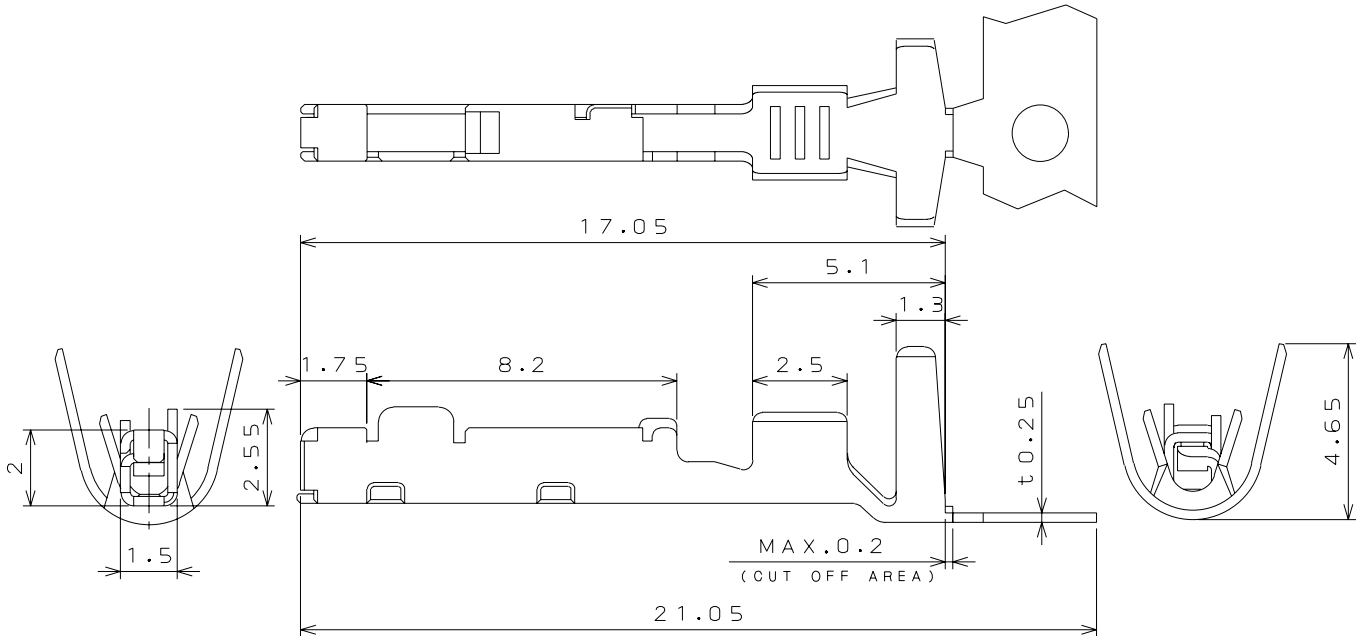
■ CE2G001C01 Coaxial Terminal (for Relay)

Component	Material / Finish
Inner Housing	30%GF SPS (Color: Black)
Inner Terminal	Copper alloy / Contact area: Au plating over Ni Solder area: Sn plating over Ni
Outer Terminal	Copper alloy / Sn plating



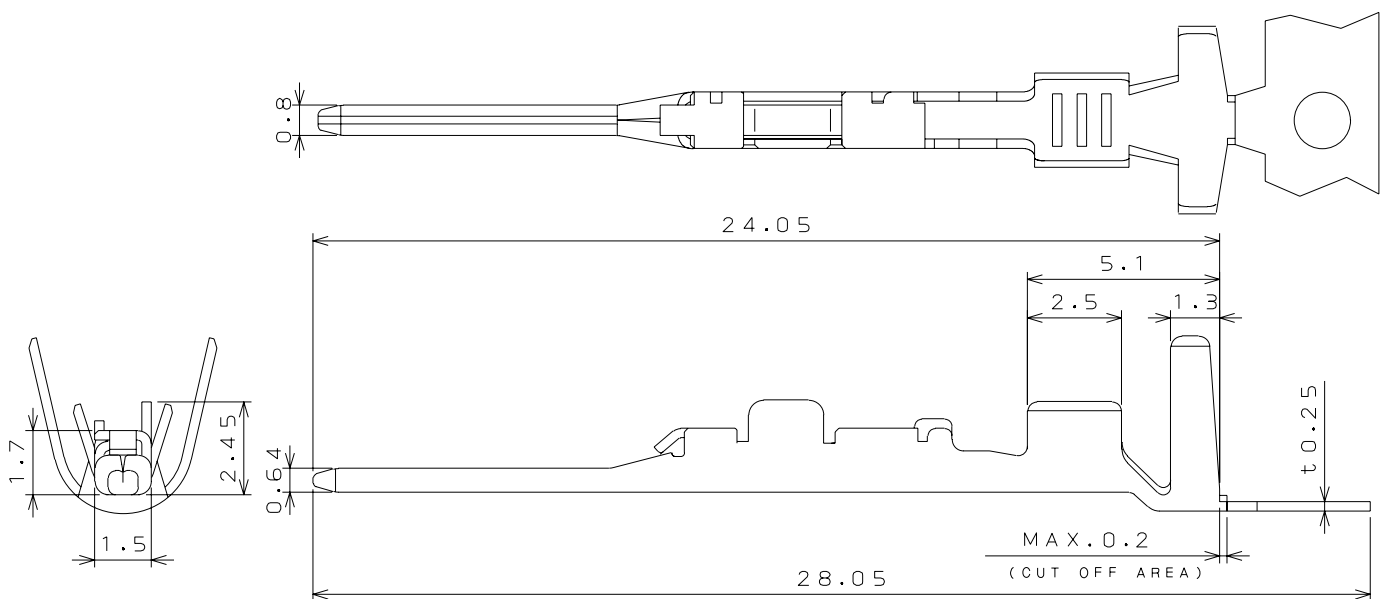
■ CE2C28HC01 Power Terminal (for Cable)

Component	Material / Finish
Power Terminal	Copper alloy / Sn plating



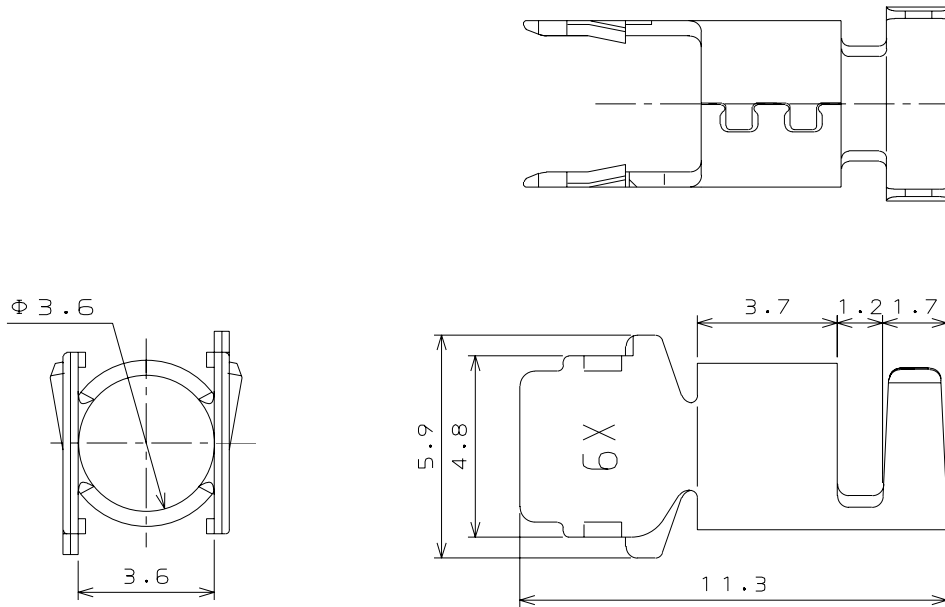
■ CE2J28HC01 Power Terminal (for Relay)

Component	Material / Finish
Power Terminal	Copper alloy / Sn plating



■ CE2Z22HC01 (Sleeve)

Component	Material / Finish
Sleeve	Copper alloy / Sn plating



Crimp Tool Line-up

Terminal P/N	Applicable Cable	Semi-Automatic Crimp Applicator
CE2A001C01	EM-1.5CS-QFBE	350-CE2F-2B
Coaxial Terminal (for Cable)	1.5C-2V equivalent	350-CE2TF-2B
CE2G001C01	EM-1.5CS-QFBE	350-CE2M-2B
Coaxial Terminal (for Relay)	1.5C-2V equivalent	350-CE2TM-2B
CE2Z22HC01 (Sleeve)	EM-1.5CS-QFBE or 1.5C-2V equivalent	HC-CE2F-2 (for CE2A001C01)
		HC-CE2M-2 (for CE2G001C01)
CE2C28HC01	HAV 0.5sq	350-CE2D-2
Power Terminal (for Cable)		
CE2J28HC01		
Power Terminal (for Relay)		

Product Line-up

Configuration	Part Number	SJ Drawing	Features
Board Connector	CE2S101C01	SJ107598	Coaxial 1 pos., Bracket [Sideway]
	CE2S101C02	SJ107323	Coaxial 1 pos., Bracket [Upward]
	CE2S111C01	SJ107599	Coaxial 1 pos., Power 1 pos., Bracket [Sideway]
	CE2S111C02	SJ107324	Coaxial 1 pos., Power 1 pos., Bracket [Upward]
	CE2S201C01	SJ107202	Coaxial 2 pos., Bracket [Sideway]
	CE2S201C02	SJ107600	Coaxial 2 pos., Bracket [Upward]
	CE2S211C01	SJ107322	Coaxial 2 pos., Power1 pos., Bracket [Sideway]
	CE2S211C02	SJ107597	Coaxial 2 pos., Power1 pos., Bracket [Upward]
Housing	CE2A101Z00	SJ107211	Coaxial 1 pos
	CE2A111Z00	SJ107334	Coaxial 1 pos., Power 1 pos.
	CE2A201Z00	SJ107212	Coaxial 2 pos
	CE2A211Z00	SJ107333	Coaxial 2 pos., Power 1 pos.
Relay Housing	CE2G101Z00	SJ107213	Coaxial 1 pos
	CE2G111Z00	SJ107331	Coaxial 1 pos., Power 1 pos.
	CE2G201Z00	SJ108209	Coaxial 2 pos
	CE2G211Z00	SJ107332	Coaxial 2 pos., Power 1 pos.
Terminal	CE2A001C01	SJ107214	Coaxial Terminal (for Cable)
	CE2G001C01	SJ107215	Coaxial Terminal (for Relay)
	CE2Z22HC01	SJ107216	Sleeve (for Coaxial Terminal), 2200 pcs. / Reel
	CE2C28HC01	SJ107335	Power Terminal (for Cable), 2800 pcs. / Reel
	CE2J28HC01	SJ107336	Power Terminal (for Relay), 2800 pcs. / Reel

Others

Specification

JACS-20084

Handling Instruction

J AHL-20084-1 (for Terrestrial Digital Media Broadcasting)
J AHL-20084-3 (for Audio Cable)

Notice: Products shown in this leaflet are made for the applications listed below. However, if the above-mentioned products are to be used in aerospace devices, marine cable-connection devices, atomic power control systems, medical equipment for life-support systems, or any other specific application requiring extremely high reliability, please contact JAE for further information.

Recommended applications: computers, office machines, measuring devices, telecommunication devices (terminals, mobile devices), AV devices, household applications, FA devices, etc.

Japan Aviation Electronics Industry, Limited

Product Marketing Division
Aobadai Building, 3-1-19, Aobadai, Meguro-ku, Tokyo 153-8539
Phone: +81-3-3780-2787 FAX: +81-3-3780-2946