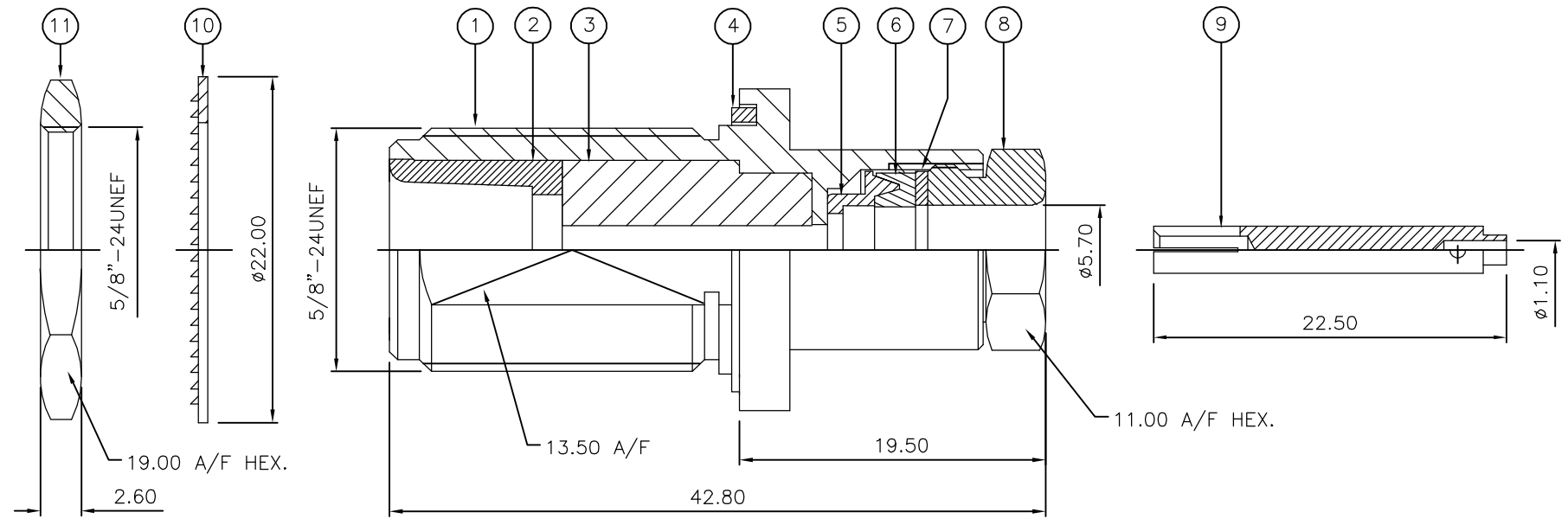


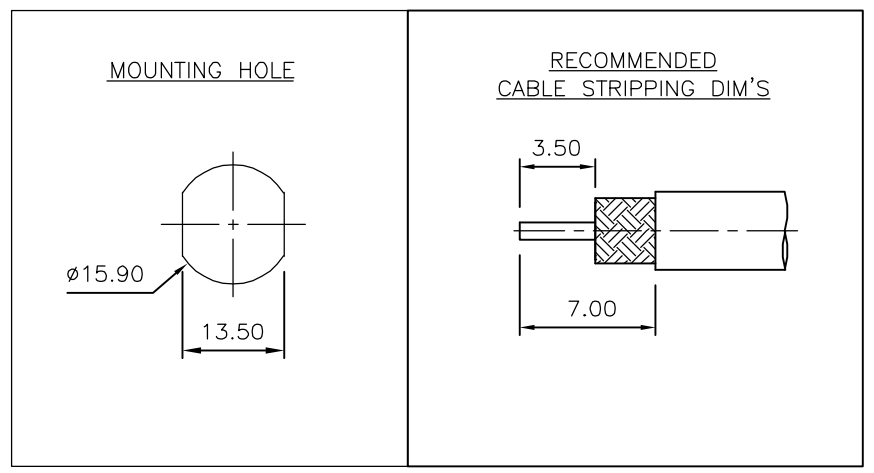
THIS DRAWING IS UNPUBLISHED. RELEASED FOR PUBLICATION AUGUST, 2006.
 © COPYRIGHT 2006 BY TYCO ELECTRONICS CORPORATION. ALL RIGHTS RESERVED.

LOC	DIST	REVISIONS					
E	B	P	LTR	DESCRIPTION	DATE	DWN	APVD
		B		ECR-06-018891	23AUG06	JMS	FWK

- NOTES:**
- ① PACK IN ACCORDANCE WITH AMP SPEC 107-3275
 - ② 100 TRAY PACK IN ACCORDANCE WITH AMP SPEC 107-3275
 - ③ Ag PLATING
 - ④ THIS ITEM MUST BE WHITE
- 5 ELECTRICAL CHARACTERISTICS
- | | |
|-------------------------------|-----------------------------|
| FREQUENCY RANGE: | DC - 11 GHz |
| NOMINAL IMPEDANCE: | 50 Ohm |
| INSULATION RESISTANCE: | 5000 MOhm |
| WORKING VOLTAGE: | 1000 Volts RMS at Sea Level |
| DIELECTRIC WITHSTAND VOLTAGE: | 2500 Volts RMS Max |
| CONTACT RESISTANCE: | |
| CENTRE CONTACT: | 1.00 mOhm Max |
| OUTER CONTACT: | 1.00 mOhm Max |
| VSWR @ 4GHz: | 1.30:1 Max |
| INSERTION LOSS dB @ x 4 GHz: | 0.30 Max |
- 6 MECHANICAL CHARACTERISTICS
- | | |
|-------------------------------|----------------|
| COUPLING NUT RETENTION FORCE: | N/A |
| CABLE RETENTION FORCE: | 170N Min |
| CLAMP NUT RECOMMENDED TORQUE: | 4N |
| MOUNT NUT RECOMMENDED TORQUE: | 6N |
| DURABILITY: | 500 Cycles Min |
- 7 ENVIRONMENTAL CHARACTERISTICS
- | | |
|------------------------|------------------|
| OPERATING TEMPERATURE: | -65 to +165 DegC |
|------------------------|------------------|
- 8 FOR TECHNICAL DATA REFER TO YOUR LOCAL TYCO ELECTRONICS SALES OFFICE
- 9 ALL DIMENSIONS ARE NOMINAL FOR REFERENCE ONLY UNLESS OTHERWISE STATED



QTY	QTY PER ASSY	MATERIAL	DESCRIPTION	ITEM
1	1	BRASS	HEXAGONAL NUT	11
1	1	BRASS	LOCKWASHER	10
1	1	BRASS	CONTACT	9
1	1	BRASS	CLAMP NUT	8
1	1	BRASS	WASHER	7
1	1	SILICONE RUBBER	GASKET	6
1	1	BRASS	SLEEVE	5
1	1	SILICONE RUBBER	GASKET	4
1	1	PTFE	INSULATION	3
1	1	BRASS	CHASSIS	2
1	1	BRASS	BODY	1
6--0	1--0	MATERIAL	DESCRIPTION	ITEM



THIS DRAWING IS A CONTROLLED DOCUMENT.		DWN	J.SANDWELL	23AUG06	 Tyco Electronics Corporation Bideford EX39 4HE
DIMENSIONS: mm		CHK	S.PARLOW	23AUG06	
TOLERANCES UNLESS OTHERWISE SPECIFIED:		APVD	F.WHEELER-KING	23AUG06	
0 PLC ± - 1 PLC ± - 2 PLC ± - 3 PLC ± - 4 PLC ± - ANGLES ± -		PRODUCT SPEC	NAME		
MATERIAL	SEE TABLE	FINISH	-		TYPE 'N' BULKHEAD JACK REAR MOUNT MIL-CLAMP 50 OHM RG58C/U, 141A/U, URM43, 76, KX15
APPLICATION SPEC		411-3252		WEIGHT	-
CUSTOMER DRAWING		SIZE	A3	CAGE CODE	00779
SCALE		NTS		DRAWING NO	C-1478224
SHEET		1 OF 1		RESTRICTED TO	-
REV		B			