

5

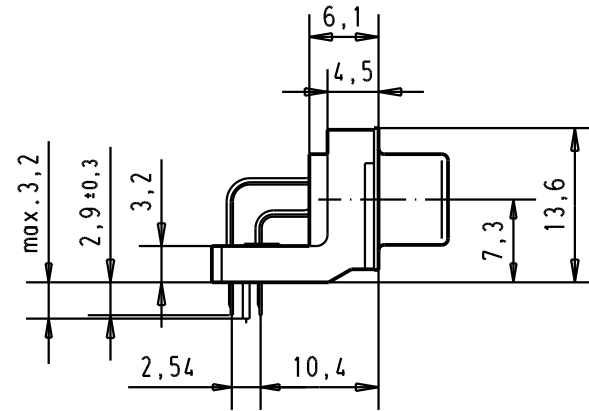
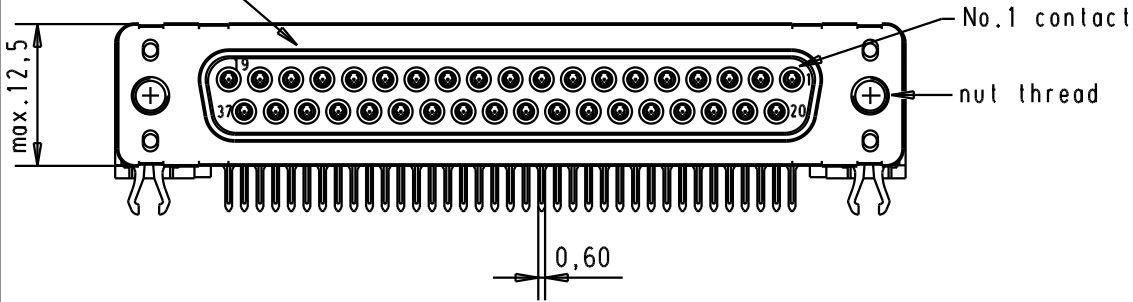
4

3

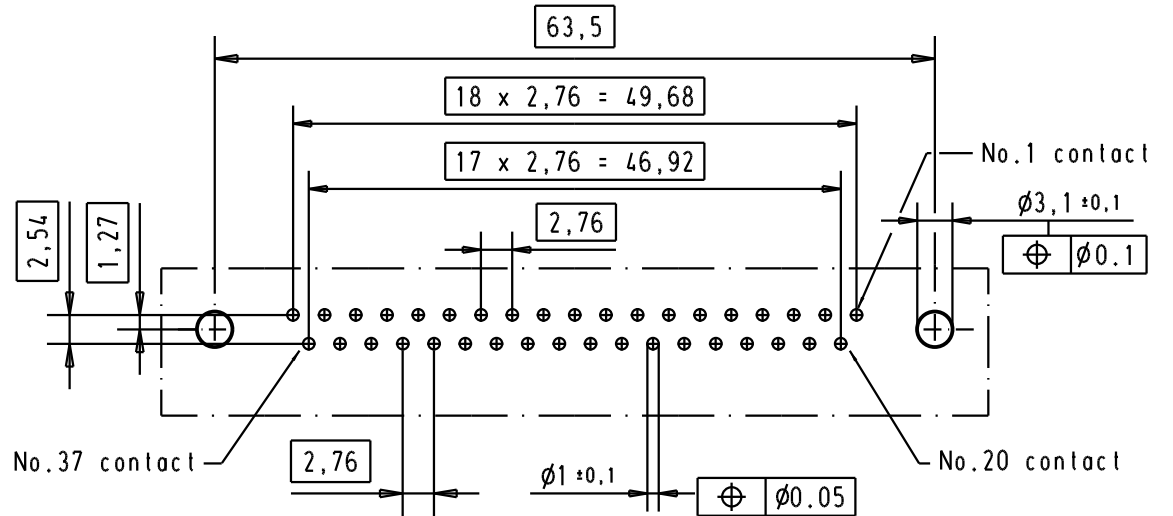
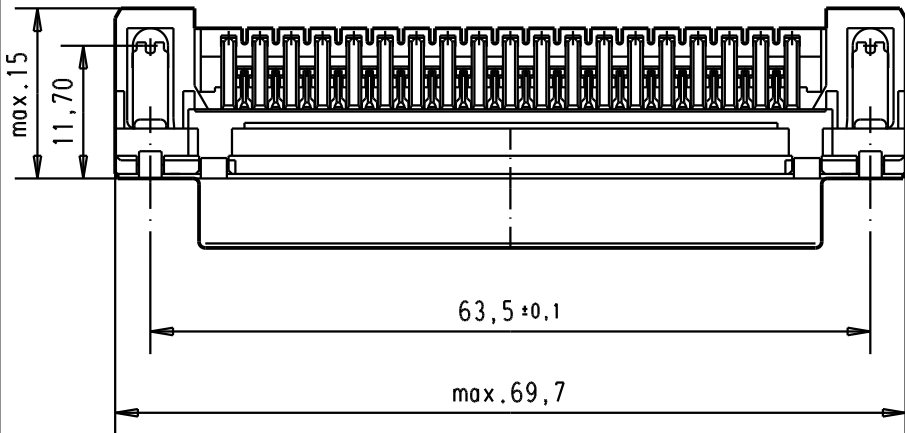
2

1

Mating face according to : MIL-C-24308 / DIN 41652 / CECC 75301-802



Printed board layout component side



Connector retention and insertion forces on the PCB = 25 / 80 newtons

A

09 66 456 3611	M 3	1								<p>All Dim. in mm Orig. Size DIN A 4</p>	D-Sub, high temperature, female, standard, 37 poles, with solder pins 2,9 mm, nuts and grounding board lock.	Maßstab/ Scale 1.5:1
09 66 456 6611	M 3	2										
09 66 456 7611	M 3	3										
09 66 456 3612	4-40 UNC	1										
09 66 456 6612	4-40 UNC	2	31892	05/05/04	JH	HARTING EURL F-95972 Paris		TB 0966456x61x	Blatt/ Page 5			
09 66 456 7612	4-40 UNC	3	29723	05/03/02	CV							
Part number	Nut thread	Performance level	Mod.	Dat.	Name					Sub.		