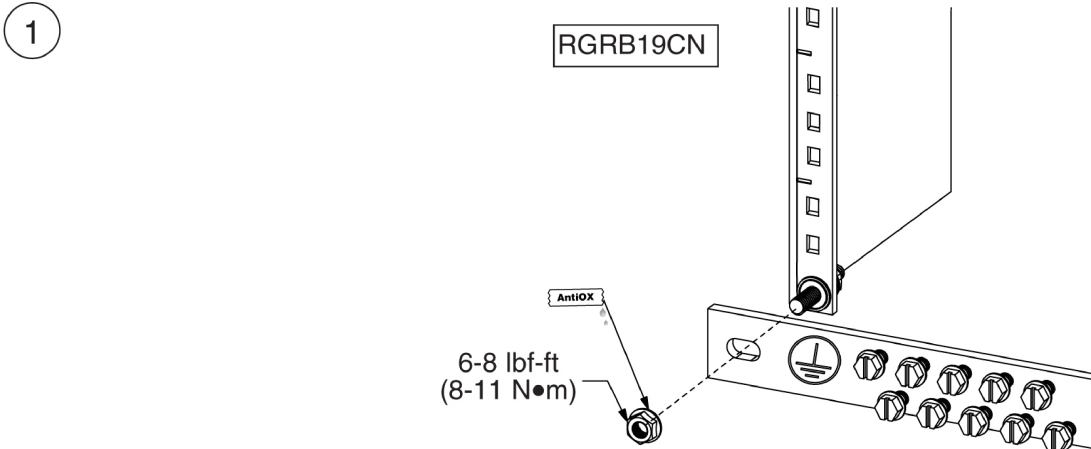
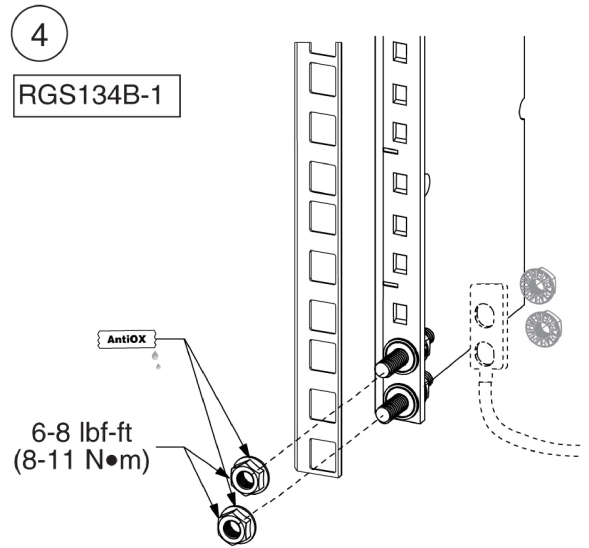
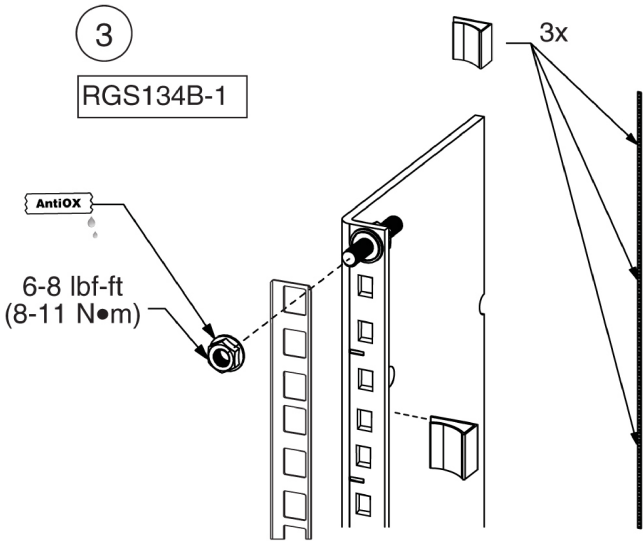
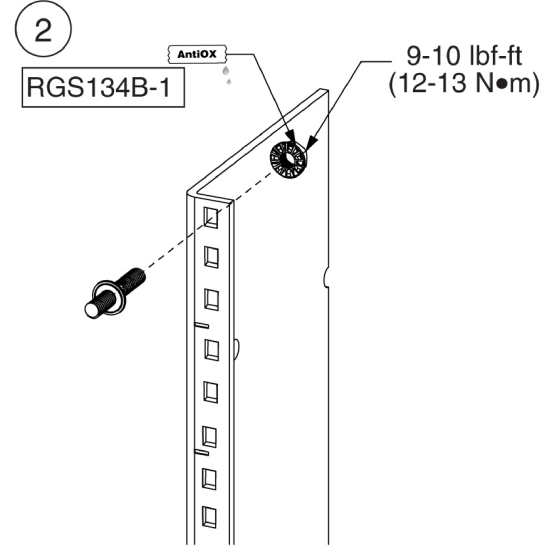
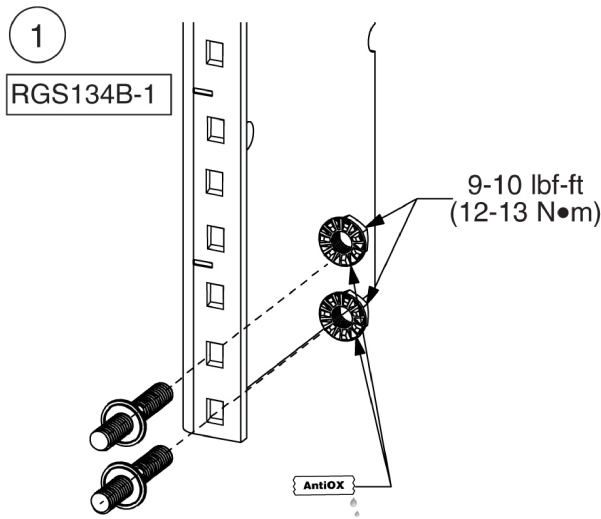


	RGS134B-1	
	RGRB19CN	
Cage Nut Grounding Strip	1	-
Strip Clip	3	-
Universal Grounding Sticker	-	2
19" Universal Ground Bar	-	1
Cleaning Pad	1	-
12-24 HDW	8	4
Cage Nut Stud HDW	3	2
AntiOX	1	1
AntiOx		



All torque values are based on a maximum Equipment Rail coating of .003 inches.

For Instructions in Local Languages
and Technical Support:

www.panduit.com/resources/install_maintain.asp

PANDUIT

www.panduit.com

E-mail:
cs@panduit.com

Fax:
708-444-6993