

**80**mm sq.

# San Ace 80



## General Specifications

- Material ..... Frame: Aluminum,  
Impeller:Plastics (Flammability: UL94V-1)
- Expected Life ..... Refer to specifications (L10:Survival rate: 90% at 60°C ,  
rated voltage,and continuously run in a free air state)
- Dielectric Strength ..... 50/60Hz 1,500VAC 1minute (between input terminal and frame)
- Storage Temperature ..... -30°C to +70°C (Non-condensing)
- Operating Voltage Range ..... Voltage of each model ± 10%

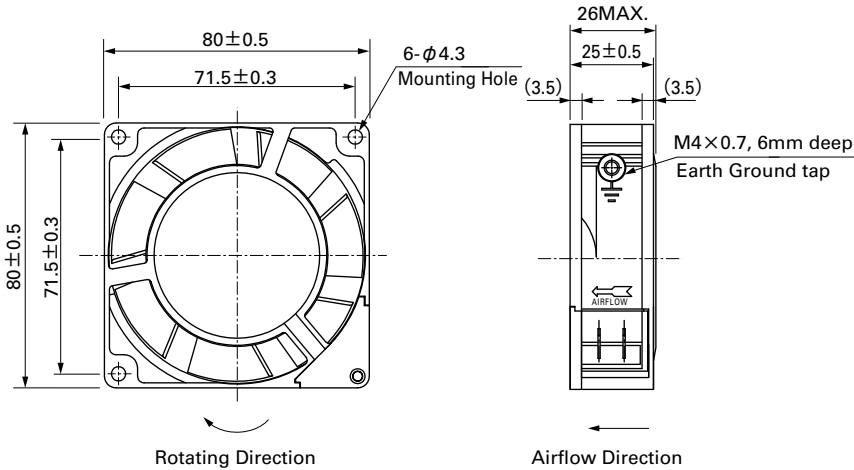
**80×80×25**mm (Mass : 270g)

## Specifications

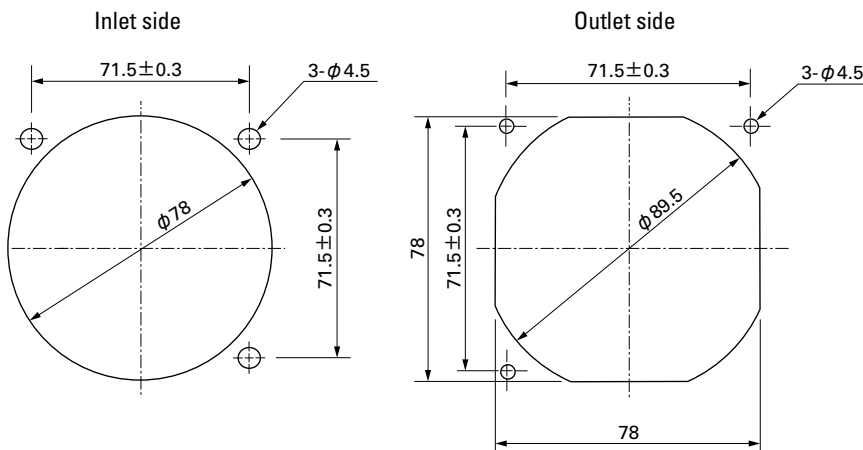
Model No.	Rated Voltage [V]	Frequency [Hz]	Input [W]	Current [A]	Locked Rotor Current [A]	Rated Speed [min <sup>-1</sup> ]	Max. Airflow [m <sup>3</sup> /min] [CFM]	Max. Static Pressure [Pa] [inchHzO]	SPL [dB(A)]	Operating Temperature [°C]	Expected Life [h]
109S050	100	50/60	9/7	0.12/0.1	0.13/0.11	2,650/3,100	0.63/0.76 22.3/26.9	27.5/38.3 0.110/0.154	30/33	-30 to +60	25,000/60°C
109S053	115			0.1 /0.08	0.11/0.09						
109S051	200			0.06/0.05	0.06/0.05						
109S054	230			0.05/0.04	0.05/0.04						
109S030	100			0.12/0.1	0.13/0.11	2,350/2,700	0.55/0.63 19.4/22.3	21.6/28.4 0.087/0.114	28/30		
109S033	115			0.1 /0.08	0.11/0.09						
109S031	200			0.06/0.05	0.06/0.05						
109S034	230			0.05/0.04	0.05/0.04						

**Set Models** Fan, finger guard, plug cord, screws, etc. can be purchased in one package. For details, please refer to pp. 453 to 456.

## Dimensions (unit: mm)



## Reference Dimensions of Mounting Holes and Vent Opening (unit: mm)



## Wiring Diagram

