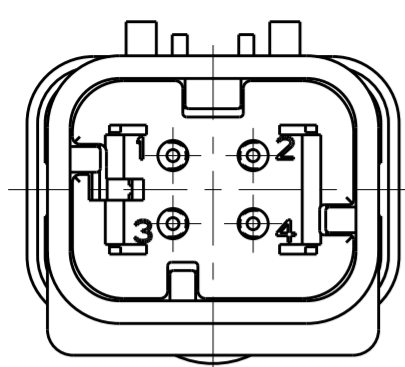
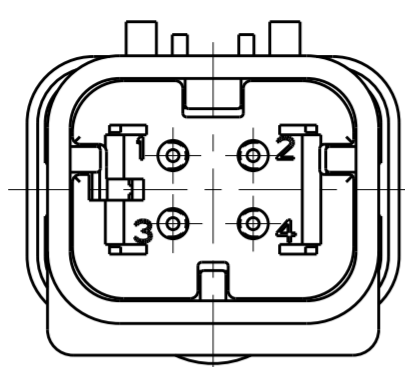


THIS DRAWING IS UNPUBLISHED
 RELEASED FOR PUBLICATION 2005
 COPYRIGHT 2005 BY TYCO ELECTRONICS JAPAN G.K ALL RIGHTS RESERVED.

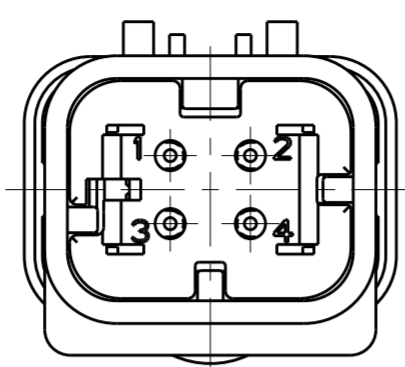
REVISIONS					
P	LTR	DESCRIPTION	DATE	DWN	APVD
	G	REVISED	20AUG2011	H.U	N.Y
	H	REVISED PER ECR-14-000206	26DEC2013	PV	RB



1871414-2
SCALE 2:1



1871414-3
SCALE 2:1

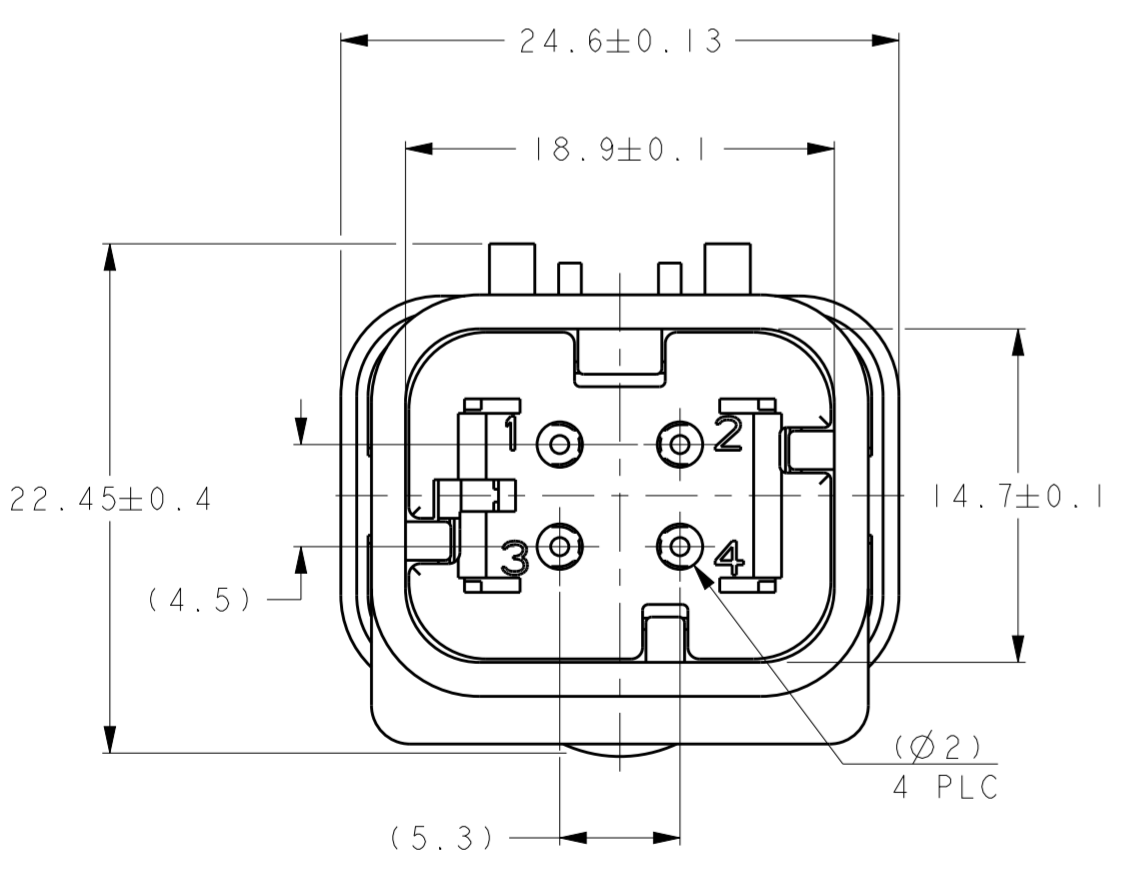
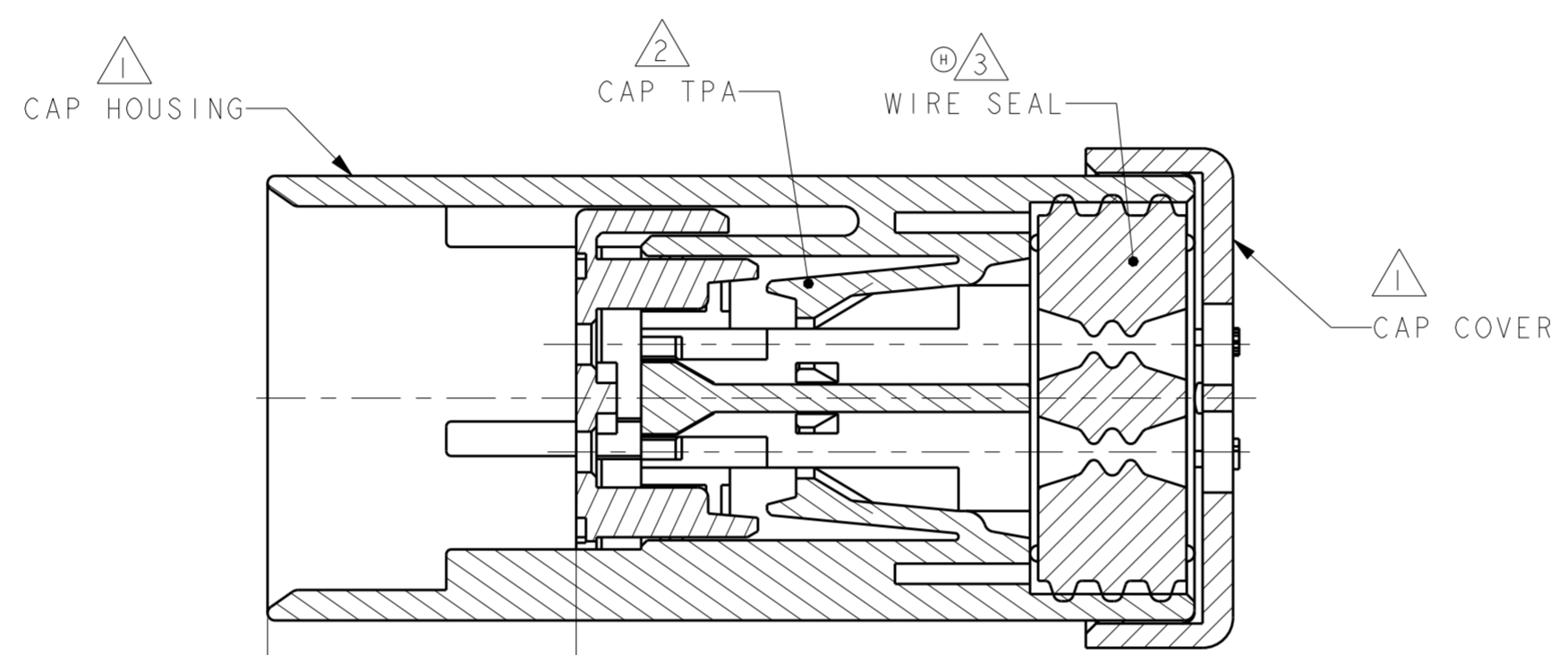


1871414-4
SCALE 2:1

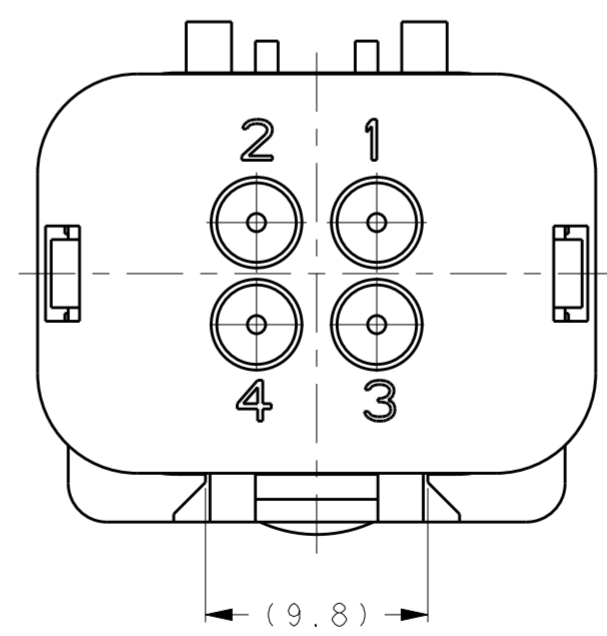
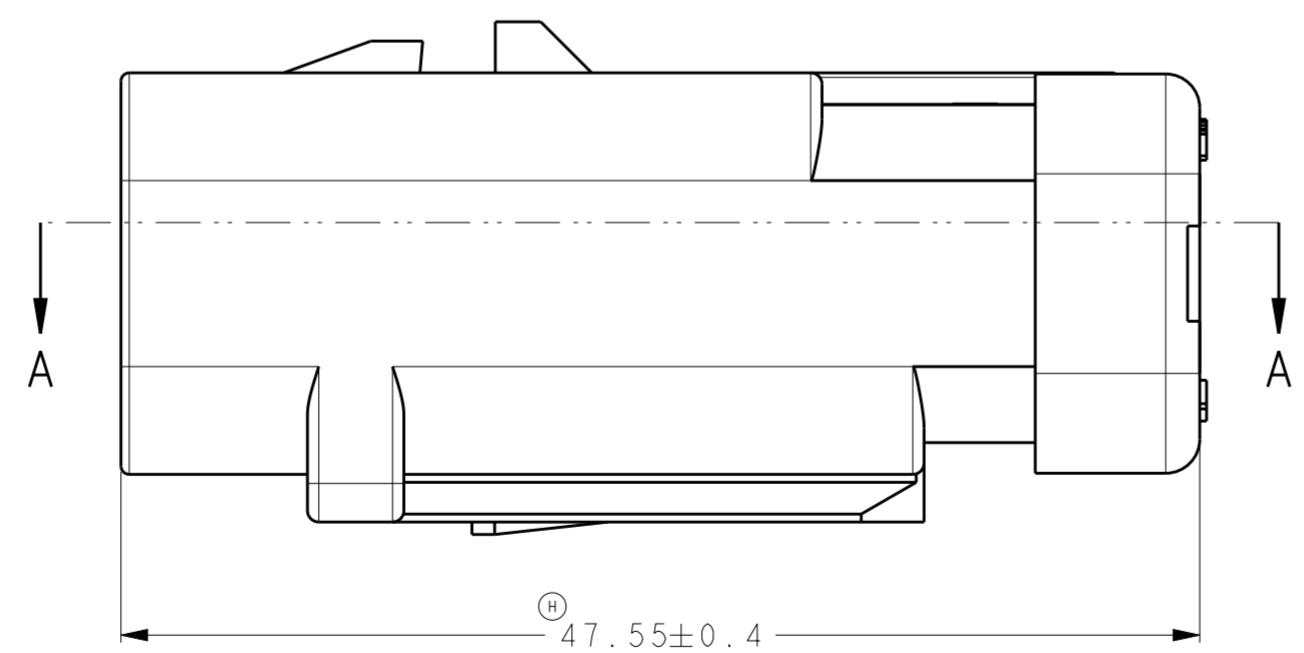


SCALE 2:1

- ① MATERIAL: 15% GLASS FILLED THERMOPLASTIC
COLOR: BLACK
- ② MATERIAL: 15% GLASS FILLED THERMOPLASTIC
COLOR: (SEE TABLE)
- ③ MATERIAL: SILICONE
COLOR: RUST
- 4. WIRE INSULATION RANGE: $\varnothing 1.3 \sim \varnothing 2.3$
- ⑤ OBSOLETE PARTS: OBSOLETE CIS STREAMLINING
PER D.RENAUD/ D.SINISI



1871414-1 SHOWN



TPA COLOR	PART NUMBER
GREEN	1871414-4
YELLOW	1871414-3
GRAY	1871414-2
RED	1871414-1

⑤
OBSOLETE

THIS DRAWING IS A CONTROLLED DOCUMENT.		DWN Y. KATO 21DEC2005	TE Connectivity	
DIMENSIONS: mm		CHK J. AKASAKA 28DEC2005		
TOLERANCES UNLESS OTHERWISE SPECIFIED:		APVD D. MITSUGI 28DEC2005	NAME CAP ASSY, 4 POS. BRACKET REVERSE TYPE SMALL WIRE SIZE AMP SEAL 16	
0 PLC ± 1 PLC ± 2 PLC ± 3 PLC ± 4 PLC ± ANGLES ± FINISH -		PRODUCT SPEC 108-2184	SIZE A20779	
MATERIAL		APPLICATION SPEC 114-13065	DRAWING NO C-1871414	
		WEIGHT	RESTRICTED TO	
		Customer Drawing	SCALE 3:1 SHEET OF REV H	