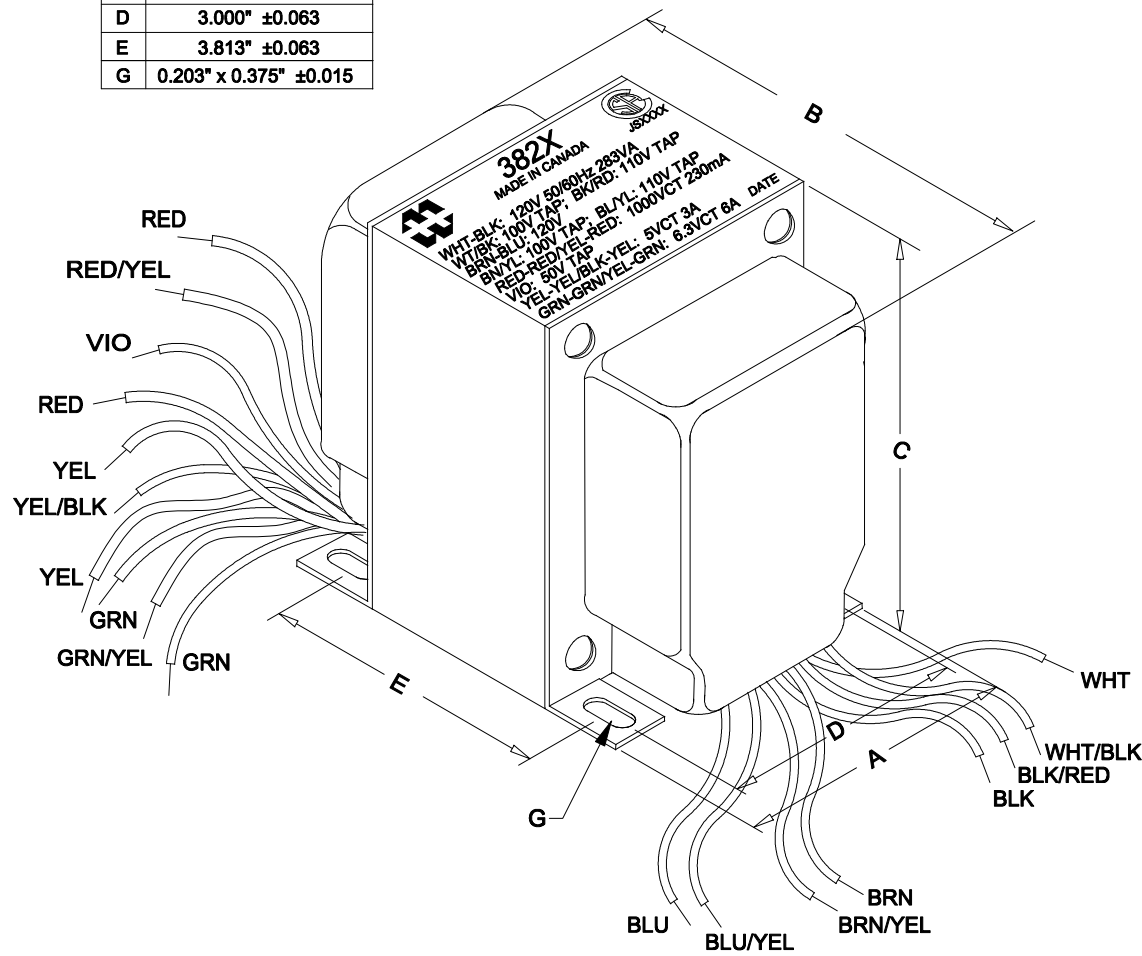
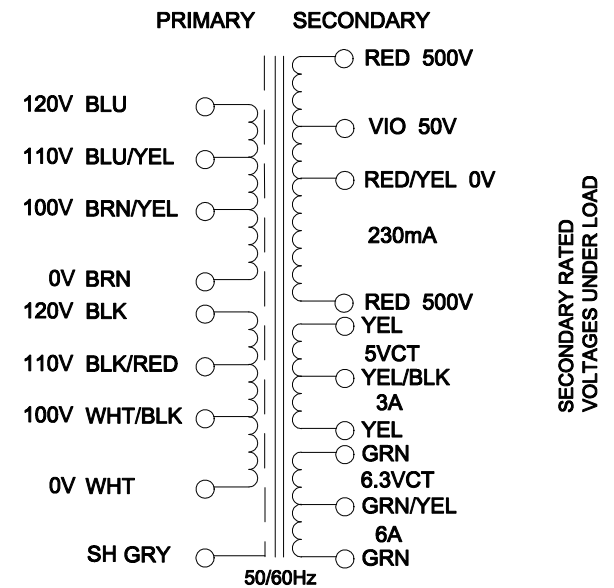


DIMENSIONS:	
A	3.750" ±0.063
B	4.936" ±0.125
C	4.563" ±0.063
D	3.000" ±0.063
E	3.813" ±0.063
G	0.203" x 0.375" ±0.015



NOTE: ALL LEADS 8" OUT MIN., STRIPPED .5"



GRY - ELECTROSTATIC SHIELD

ELECTRICAL DATA:		
TESTS	CONDITIONS	ACCEPTANCE CRITERIA
I <sub>ex</sub>	@ 120V, 60Hz, WHT - BLK	300mA Max.
Sec. N.L.V	@ 120V, 60Hz, WHT - BLK	
	RED - RED =	1058.7V ±2%
	RED - RED/YEL = RED/YEL - RED =	529.4V ±2%
	RED/YEL - VIO =	50.00V ±2%
	YEL - YEL =	5.334V ±2%
	YEL - YEL/BLK = YEL/BLK - YEL =	2.667V ±2%
	GRN - GRN =	6.667V ±2%
	GRN - GRN/YEL = GRN/YEL - GRN =	3.334V ±2%
DCR	@ 20°C, WHT - BLK =	1.706 Ω ±20%
	@ 20°C, BRN - BLU =	1.814 Ω ±20%
	@ 20°C, RED - RED =	88.62 Ω ±20%
	@ 20°C, YEL - YEL =	0.037 Ω ±20%
	@ 20°C, GRN - GRN =	0.024 Ω ±20%
HIPOT	PRIMARY - SECONDARY	2500V, 60Hz, 1 SEC

REV.#	REVISION	DATE
0	RELEASED.	09/12/12

**HAMMOND ELECTRONIC DIVISION**  
**MANUFACTURING™**  
 52 RANKIN PLACE, WATERLOO, ONTARIO, N2J 3Z5  
 PH # (519) 886-6181  
 FAX # (519) 886-9540

DWG. BY: C. ILIE	CHK'D BY:	TITLE: POWER TRANSFORMER	DWG. NO. 382X
DATE: 09/12/12	APP'D. BY:		
	DIMENSIONS: IN(X) MM( )		