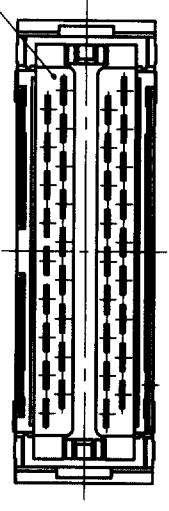
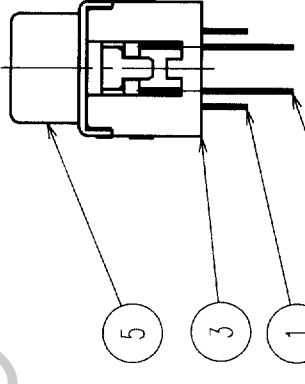
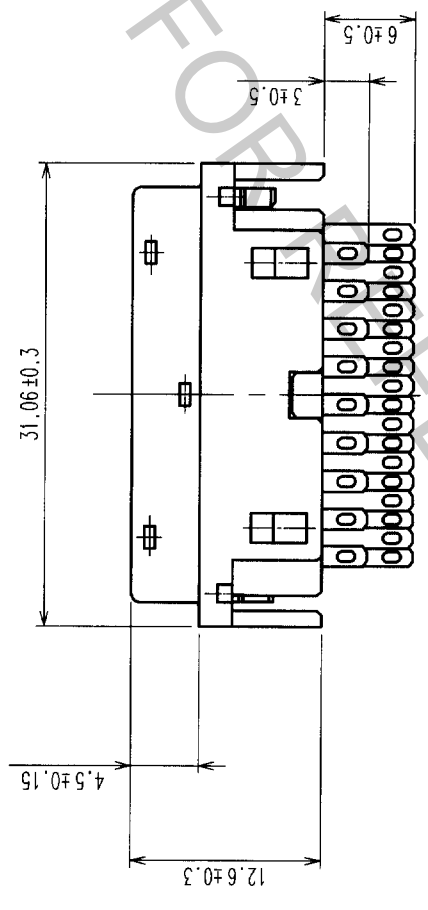
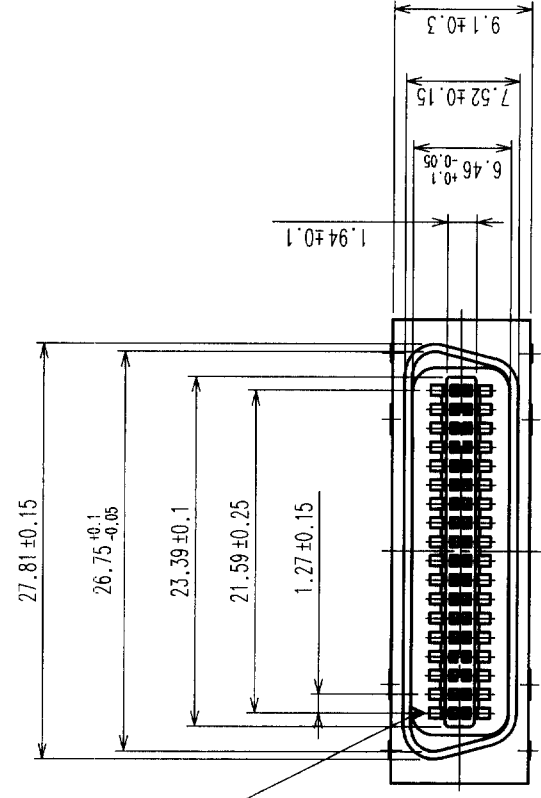


▽ MARKING



NOTE 1 APPLICABLE COVER CASE FOR THIS PRODUCT IS DX30M-36-CV(CL230-5054-5).

NO.	MATERIAL	FINISH, REMARKS	NO.	MATERIAL	FINISH, REMARKS
2	COPPER ALLOY	GOLD PLATING	5	STEEL	NICKEL PLATING
1	COPPER ALLOY	GOLD PLATING	4	PBT	(BLACK) UL94V-0
			3	PBT	(BLACK) UL94V-0

CODE NO. (OLD)	DRAWN	DESIGNED	CHECKED	APPROVED	RELEASED
	<i>M. Shimoyama</i>	<i>M. Shimoyama</i>	<i>Y. Enami</i>	<i>H. Murata</i>	
	02.4.8	02.4.8	02.4.8	02.04.09	

DRAWING NO.	EDC3-045316	PART NO.	DX40M-36P
SCALE	2 : 1	CODE NO.	CL230-5035-0
UNITS	mm		

TO	Q1		
----	----	--	--

HRS DRAWING FOR REFERENCE