

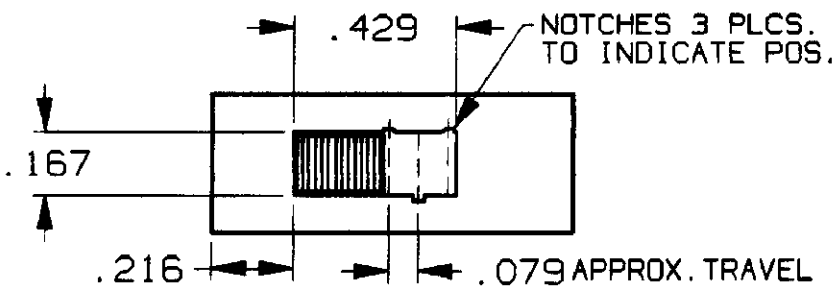
4

3

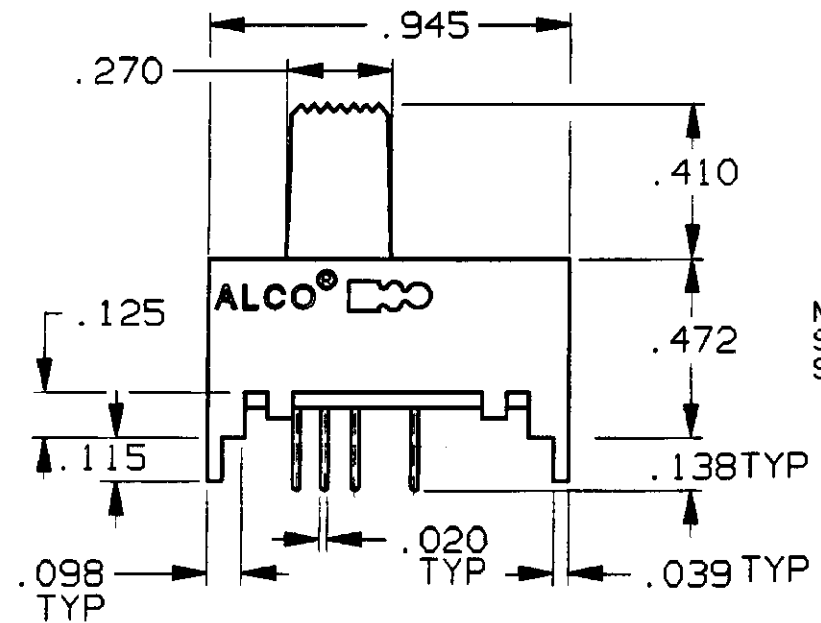
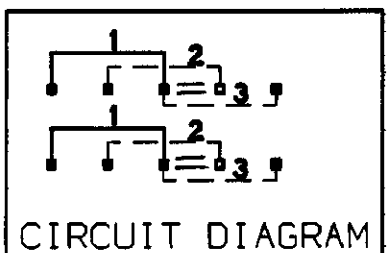
2

CONVERSION CHART

INCH	MM
.010	0.25
.016	0.40
.020	0.50
.024	0.60
.035	0.88
.039	0.99
.059	1.49
.079	2.00
.090	2.28
.098	2.48
.115	2.92
.125	3.17
.138	3.50
.157	3.98
.165	4.19
.167	4.24
.216	5.48
.270	6.85
.368	9.34
.400	10.16
.410	10.41
.905	22.98
.945	24.00

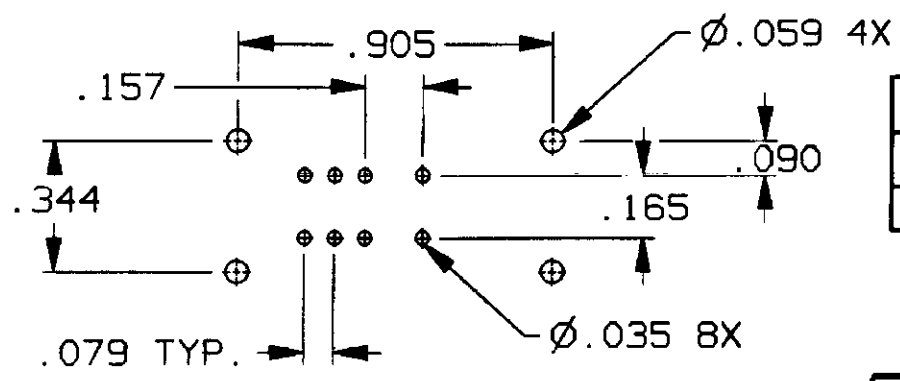
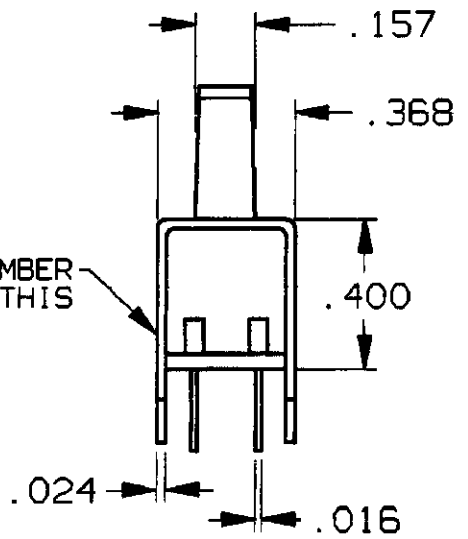


NOTCHES 3 PLCS. TO INDICATE POS.



ALCO

MODEL NUMBER STAMPED THIS SIDE



MSSA-2350G	GOLD
MSSA-2350	SILVER
MODEL NO.	PLATING

RECOMMENDED HOLE LAYOUT
TOLERANCE $\pm .002$ UNLESS OTHERWISE NOTED

SPECIFICATIONS:

MATERIALS:
CASE: STEEL
ACTUATOR: POLYESTER UL 94V-0
MOVABLE CONTACT: COPPER ALLOY, SILVER OR GOLD PLATED.
STATIONARY CONTACT: COPPER ALLOY, SILVER OR GOLD PLATED.
TERMINALS: COPPER ALLOY, SILVER OR GOLD PLATED.

ELECTRICAL:
CONTACT RATING: GOLD: 0.4 VA 20 VDC OR PEAK AC
SILVER: 300 mA @ 125 VAC
CONTACT RESISTANCE: 30m Ω MAX. INITIAL.
INSULATION RESISTANCE: 1,000 MEGOHMS MIN.
DIELECTRIC STRENGTH: 500V RMS @ SEA LEVEL.
LIFE EXPECTANCY: 15,000 CYCLES MIN.

MECHANICAL:
ACTUATION FORCE: 470 GRAMS AVERAGE.

ENVIRONMENTAL:
OPERATING TEMPERATURE: -4°F TO +185°F
(-20°C TO +85°C)
STORAGE TEMPERATURE: -40°F TO +212°F
(-40°C TO +100°C)

NOTES:

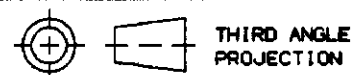
1. INTERPRET DRAWING PER ASME Y14.5M-1994.
2. TERMINALS ARE EPOXY SEALED.

AUGAT D/N 40120-SD

CUSTOMER DRAWING
SPECIFICATIONS ARE SUBJECT TO CHANGES WITHOUT NOTICE



REV	A
REVISIONS	OG3C-0173-02



TOLERANCES (EXCEPT AS NOTED)
ANGULAR =
DECIMAL .XX =
DECIMAL .XXX = $\pm .010$
DECIMAL .XXXX =

AUGAT CONFIDENTIAL
This document contains information which is the exclusive property of Augat Inc. Distribution, reproduction or use by others is not permitted without the expressed written consent of Augat Inc.

UNLESS OTHERWISE SPECIFIED DIMENSIONS ARE IN INCHES DO NOT SCALE PRINT

MATERIAL:
SEE SPECIFICATIONS

FINISH:
SEE SPECIFICATIONS

ORIGINAL DATE OF DRAWING:	6-20-96
DRAWN:	TRU-D
DATE:	6-20-96
CHECKED:	
DATE:	
APPROVED:	
DATE:	
CODE IDENT. NO.	91506
DWG. SIZE	B
NEXT ASSY:	

TYCO ELECTRONICS

TITLE: **CUSTOMER DRAWING**
SLIDE SWITCH
(MSSA-2350)

DWG. NO. **5-1437580-3**

PRODUCT CODE: C51
SCALE: SHEET 1 OF 1

REV. **A**

4

3

FIRST DESIGNED FOR:

2

1