

Mar.1.2016 Copyright 2016 HIROSE ELECTRIC CO., LTD. All Rights Reserved.

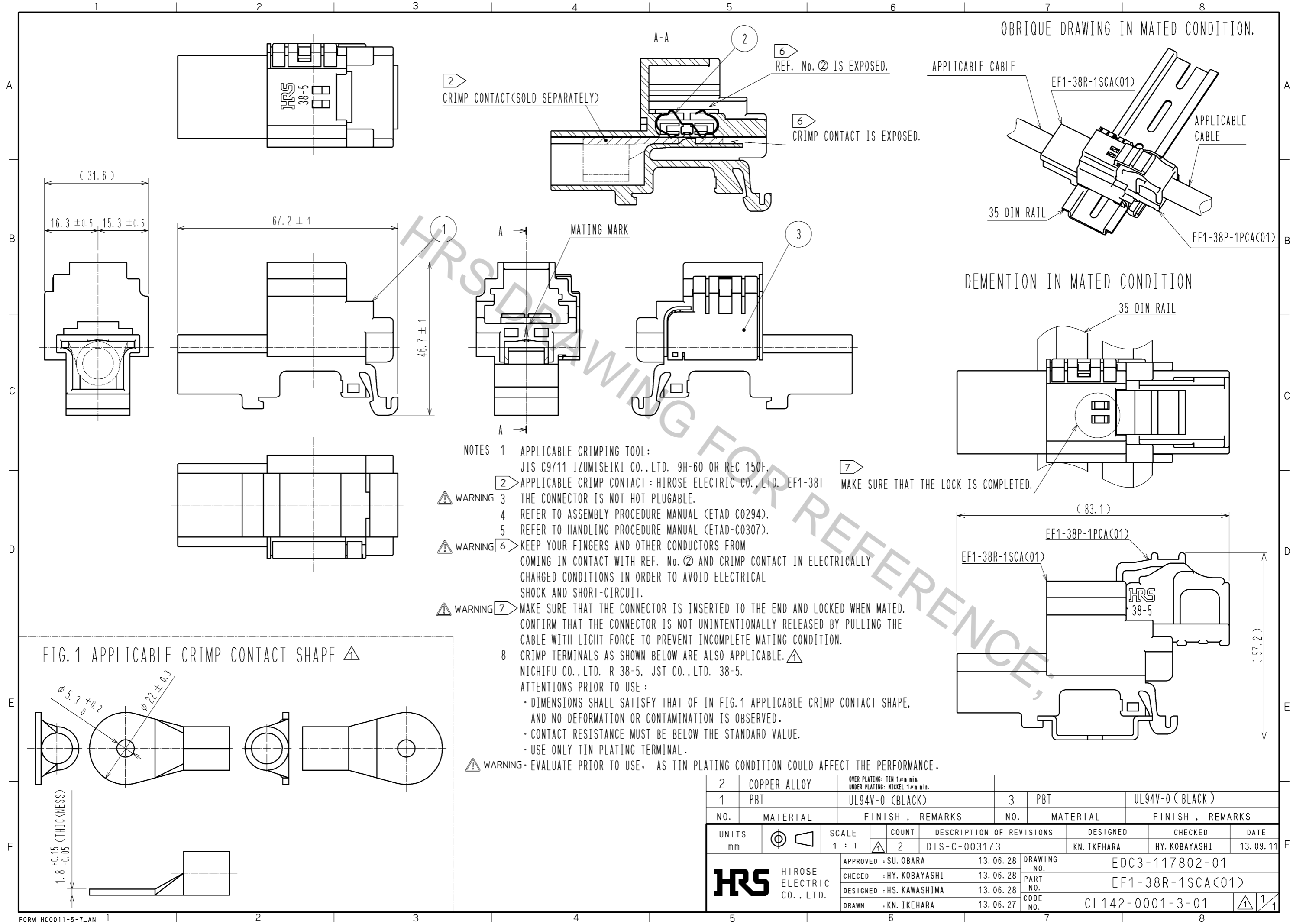
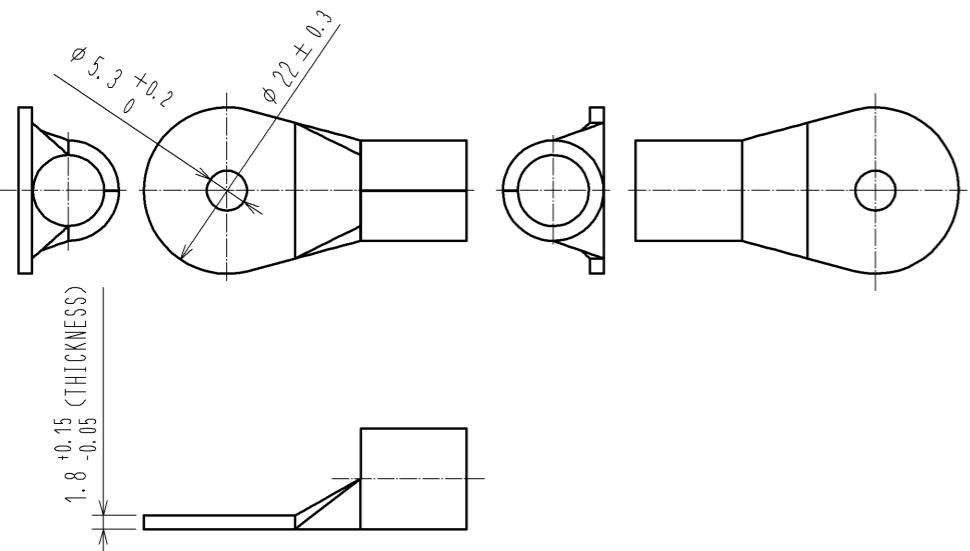


FIG. 1 APPLICABLE CRIMP CONTACT SHAPE ⚠



- NOTES
- 1 APPLICABLE CRIMPING TOOL:  
JIS C9711 IZUMISEIKI CO., LTD. 9H-60 OR REC 150F.
  - 2 APPLICABLE CRIMP CONTACT : HIROSE ELECTRIC CO., LTD. EF1-38T
  - 3 THE CONNECTOR IS NOT HOT PLUGGABLE.
  - 4 REFER TO ASSEMBLY PROCEDURE MANUAL (ETAD-C0294).
  - 5 REFER TO HANDLING PROCEDURE MANUAL (ETAD-C0307).
  - 6 ⚠ WARNING KEEP YOUR FINGERS AND OTHER CONDUCTORS FROM COMING IN CONTACT WITH REF. No. ② AND CRIMP CONTACT IN ELECTRICALLY CHARGED CONDITIONS IN ORDER TO AVOID ELECTRICAL SHOCK AND SHORT-CIRCUIT.
  - 7 ⚠ WARNING MAKE SURE THAT THE CONNECTOR IS INSERTED TO THE END AND LOCKED WHEN MATED. CONFIRM THAT THE CONNECTOR IS NOT UNINTENTIONALLY RELEASED BY PULLING THE CABLE WITH LIGHT FORCE TO PREVENT INCOMPLETE MATING CONDITION.
  - 8 CRIMP TERMINALS AS SHOWN BELOW ARE ALSO APPLICABLE. ⚠  
NICHIFU CO., LTD. R 38-5, JST CO., LTD. 38-5.
- ATTENTIONS PRIOR TO USE :
- DIMENSIONS SHALL SATISFY THAT OF IN FIG.1 APPLICABLE CRIMP CONTACT SHAPE, AND NO DEFORMATION OR CONTAMINATION IS OBSERVED.
  - CONTACT RESISTANCE MUST BE BELOW THE STANDARD VALUE.
  - USE ONLY TIN PLATING TERMINAL.
- ⚠ WARNING EVALUATE PRIOR TO USE, AS TIN PLATING CONDITION COULD AFFECT THE PERFORMANCE.

2	COPPER ALLOY	OVER PLATING: TIN 1µm min. UNDER PLATING: NICKEL 1µm min.	3	PBT	UL94V-0 (BLACK)		
1	PBT	UL94V-0 (BLACK)					
NO.	MATERIAL	FINISH . REMARKS	NO.	MATERIAL	FINISH . REMARKS		
UNITS	mm	SCALE	COUNT	DESCRIPTION OF REVISIONS	DESIGNED	CHECKED	DATE
		1 : 1	2	DIS-C-003173	KN. IKEHARA	HY. KOBAYASHI	13. 09. 11
APPROVED : SU. OBARA		13. 06. 28	DRAWING NO.		EDC3-117802-01		
CHECKED : HY. KOBAYASHI		13. 06. 28	PART NO.		EF1-38R-1SCA(C01)		
DESIGNED : HS. KAWASHIMA		13. 06. 28	CODE NO.		CL142-0001-3-01		
DRAWN : KN. IKEHARA		13. 06. 27					