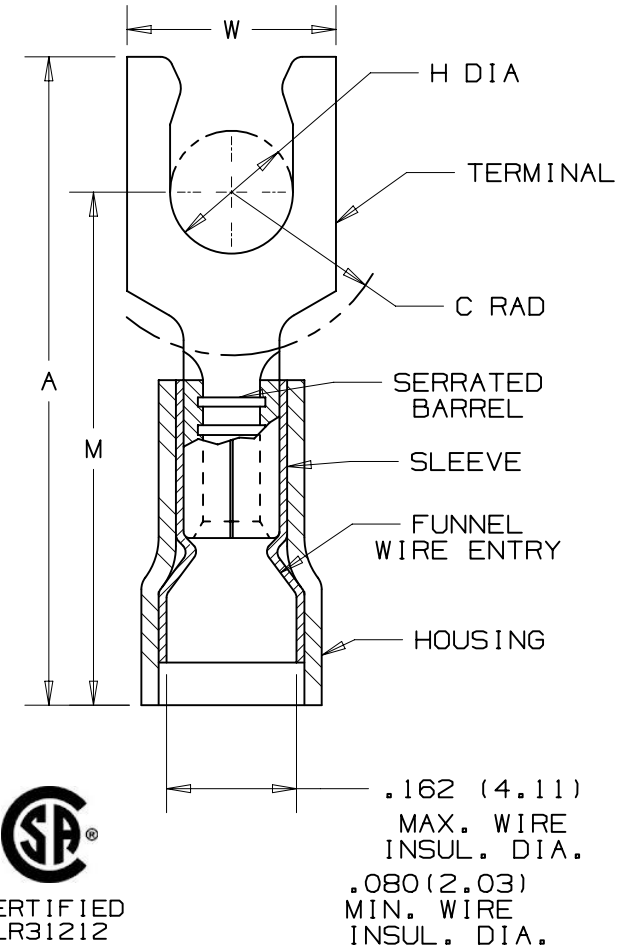


THIS COPY IS PROVIDED ON A RESTRICTED BASIS AND IS NOT TO BE USED IN ANY WAY DETRIMENTAL TO THE INTERESTS OF PANDUIT CORP.

PANDUIT PART NUMBER	STUD SIZE	DIMENSIONS - in.					TOOLS
		A ± .03	W ± .01	C ± .02	M ± .03	H ± .01	
PNF14-6LF	#6	.87 (22.10)	.25 (6.35)	.20 (5.08)	.65 (16.51)	.14 (3.56)	CT-100A +CT-400 +CT-460 *CT-600-A (CT-550CH) *CT-1550 *CT-1551 *CT-2500 (CT-2550CH)
PNF14-6LFW	#6	.84 (21.34)	.29 (7.37)	.20 (5.08)	.65 (16.51)	.14 (3.56)	
PNF14-8LF	#8	.93 (23.62)	.29 (7.37)	.25 (6.35)	.70 (17.78)	.16 (4.06)	
PNF14-10LF	#10	.93 (23.62)	.33 (8.38)	.25 (6.35)	.70 (17.78)	.19 (4.83)	



*USED FOR #18-14 AWG SOLID OR STRANDED COPPER WIRE
 +UL LISTED ONLY WITH #18-14 AWG SOLID OR STRANDED COPPER WIRE

NOTES:

- UL LISTED AND CSA CERTIFIED FOR:
 - A. 600V MAX. BLDG WIRE
 - 1000V MAX. IN SIGNS, FIXTURES & LUMINARIES
 - B. 221°F (105°C) MAX TEMP. RATING
 - C. #16-14 AWG SOLID OR STRANDED, COPPER WIRE
- SEE WWW.PANDUIT.COM FOR PACKAGE QUANTITIES
- MATERIAL:
 - A. STAMPING - .032" THK COPPER, TIN PLATED
 - B. HOUSING - NYLON, BLUE
 - C. SLEEVE - BRASS, TIN PLATED
- DIMENSIONS IN BRACKETS ARE IN MILLIMETERS
- WIRE STRIP LENGTH: 7/32 + 1/32 (5.6 + .8)
 - 0 - 0



.162 (4.11)
 MAX. WIRE
 INSUL. DIA.
 .080 (2.03)
 MIN. WIRE
 INSUL. DIA.

REV	DATE	BY	CHK	APR	DESCRIPTION	ECN
09	01/15	TMR	TMR	RGB	PART NUMBER CHANGED TO PNF, CT-400 & CT-460 CHANGED TO UL LISTED ONLY	N41294BB-DC
08	06/14	MBY	JHNU	RGB	REVISED NOTES, MOVED TOOLS TO TABLE, REVISED CERTIFICATION, UPDATED BORDER	N41294BB-A41294

TITLE		#16-14 BARREL NYLON INSULATED LOCKING FORK, FUNNELED WIRE ENTRY, .162 [4.11] MAX. WIRE INSULATION DIAMETER	
CUSTOMER DRAWING			
ITEM REVISION NAME	N41294BB/09		
DATASET FILE NAME	N41294BB/09		
UNLESS OTHERWISE SPECIFIED, DIMENSIONAL TOLERANCES ARE: IN [mm]		MATERIAL:	
.X ± .XX ±		.XXX ± ANGLES ±	
THIRD ANGLE PROJECTION		SEE NOTES	
DRAWING NUMBER:		A41294	
DRAWN BY	DATE	CHK	SCALE
DW		RLS	NONE
SHT 1 OF 1		A	

D10100DA/16