

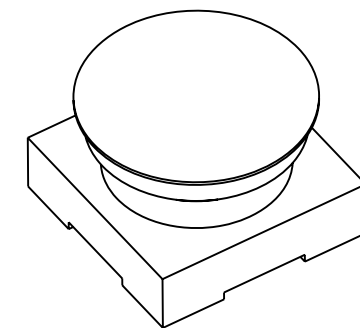
NOTES:

1. MATERIALS AND FINISHES:
 BODY - BRASS, GOLD PLATING
 CONTACT - BERYLLIUM COPPER, GOLD PLATING
 INSULATOR - PEEK, NATURAL
 KAPTON FILM - POLYIMIDE, AMBER
2. ELECTRICAL:
 A. IMPEDANCE: 50 OHM
 B. FREQUENCY RANGE: DC - 6 GHz
 C. VSWR: 1.25 MAX
 D. DIELECTRIC WITHSTANDING VOLTAGE: 500 VRMS, MIN.
3. PHYSICAL:
 A. DURABILITY: 500 CYCLES MIN.
 B. ENGAGEMENT FORCE: 10.0 LBS MAX
 C. DISENGAGEMENT FORCE: 2.0 LBS MIN
 D. TEMPERATURE RANGE: -65° C TO +165° C
4. PACKAGING:
 A. TAPE AND REEL PACKAGING, QTY 1200 PCS, SEE SHEET 3.
 B. MARK PACKAGING: AMPHENOL RF, SMP-MSLD-PCS-16, DATE CODE QTY 1200

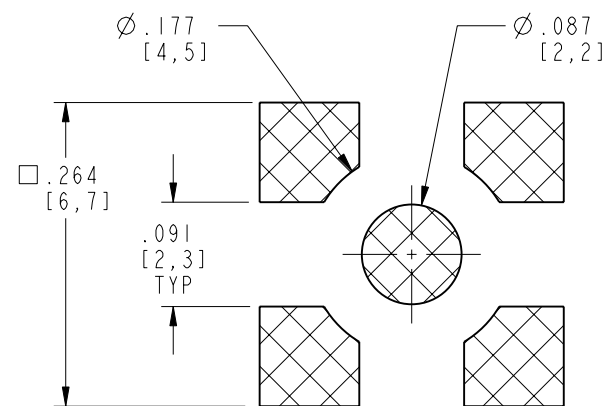
THIRD ANGLE PROJ.

REVISIONS

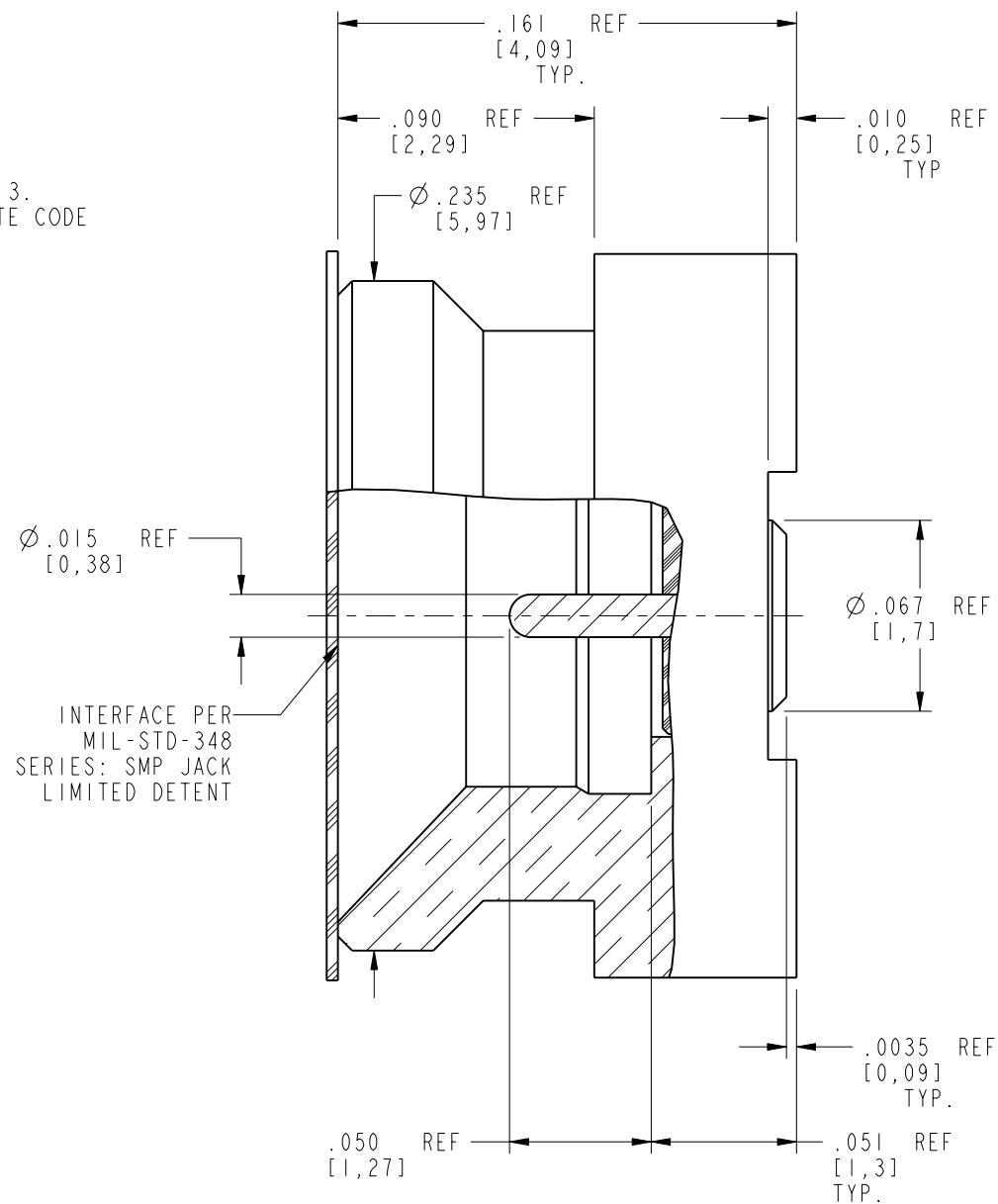
REV	DESCRIPTION	DATE	ECO	APPR
A	RELEASE TO MFG.	05-Dec-17	06042	BMG



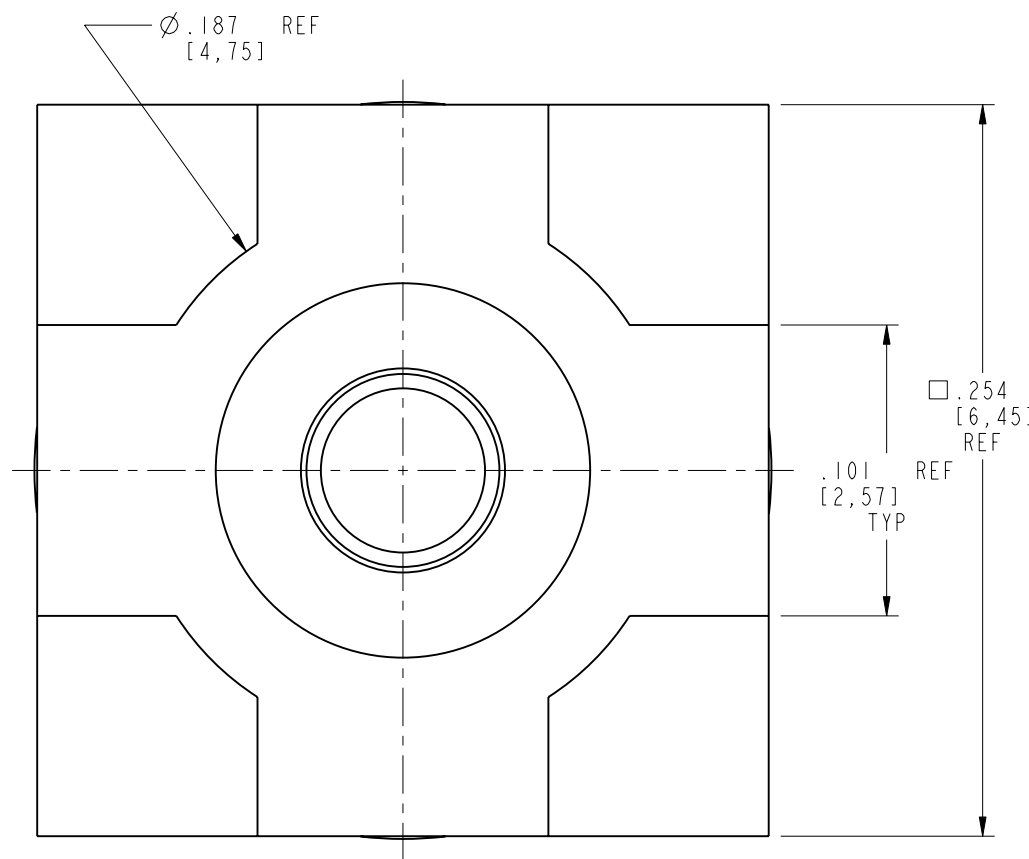
SCALE 5.000



**RECOMMENDED
PCB LAYOUT**



INTERFACE PER
MIL-STD-348
SERIES: SMP JACK
LIMITED DETENT



CUSTOMER OUTLINE DRAWING

ALL OTHER SHEETS ARE FOR INTERNAL USE ONLY

UNLESS OTHERWISE SPECIFIED, DIMENSIONS ARE IN METRIC AND TOLERANCES ARE:
 <0.5mm ±0.05mm 0.5 - 6mm ±0.1mm 6 - 30mm ±0.2mm 30 - 120mm ±0.3mm ANGLES ±1°

NOTICE - These drawings, specifications, or other data (1) are, and remain the property of Amphenol corp. (2) must be returned upon request; and (3) are confidential and not to be disclosed to any person other than those to whom they are given by Amphenol Corp. the furnishing of these drawings, specifications, or other data by Amphenol Corp., or to any other person to anyone for any purpose is not to be regarded by implication or otherwise in any manner licensing, granting rights to permitting such holder or any other person to manufacture, use or sell any product, process or design, patented or otherwise, that may in any way be related to or disclosed by said drawings, specifications, or other data.

MATERIAL	-
REFERENCE	AND
CONFIGURATION LEVEL:	In Work
FINISH	

DRAWN	STAR	DATE	05-Dec-17
ENGINEER	SUNDE	DATE	05-Dec-17
APPROVED	S. HSIEH	DATE	05-Dec-17
CAD FILE			

TITLE	
SMP JACK LIMITED DETENT CATCHER'S MITT SURFACE MOUNT	
SCALE: 15.0:1.0	SHEET 2 OF 3
DWG SIZE B	REV A

Amphenol RF	
www.amphenolrf.com	
DRAWING NO.	SMP-MSLD-PCS-16
ITEM NO.	SMP-MSLD-PCS-16
PART NO.	SMP-MSLD-PCS-16

THIRD ANGLE PROJ.

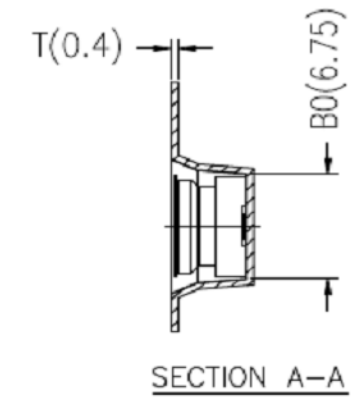
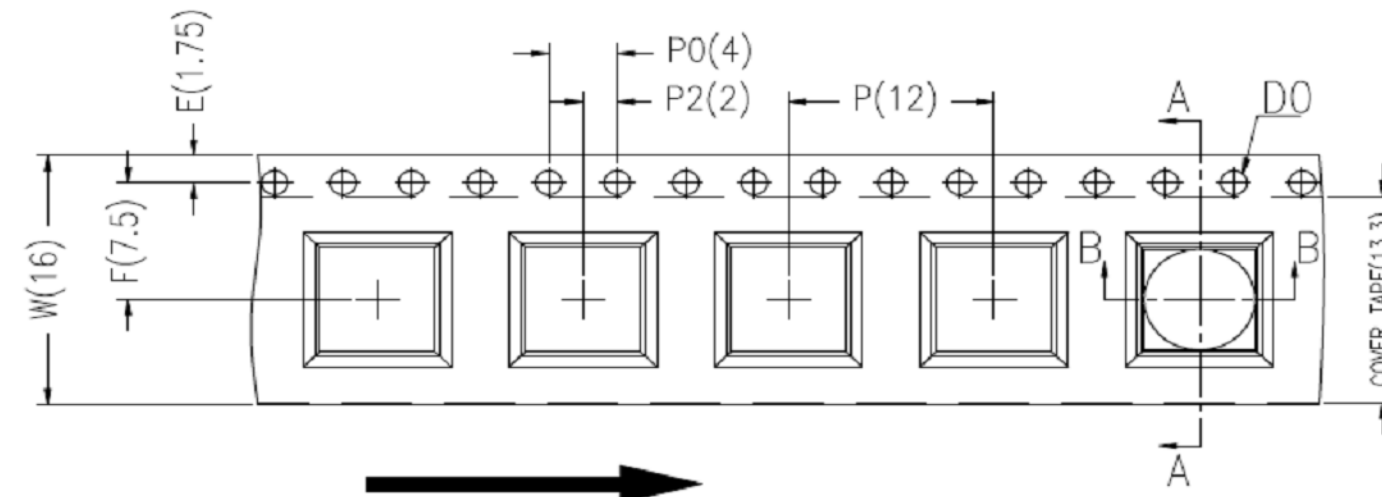
REVISIONS

REV	DESCRIPTION	DATE	ECO	APPR
A	RELEASE TO MFG.	05-Dec-17	06042	BMG

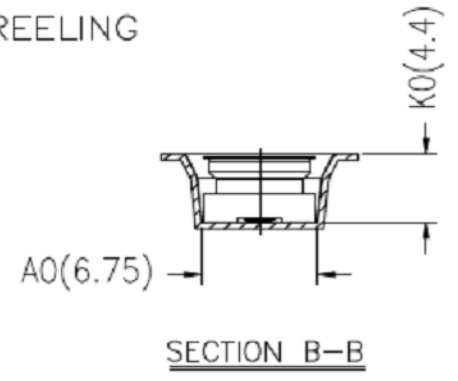
SMP-MSLD-PCS-14

SMP-MSSB-PCS-14
ADDED THE CAPTON FILM FOR CONNECTOR

SMP-MSLD-PCS-16
WITH THE CAPTON FILM ON CONNECTOR



客户取件方向
CUSTOMER DIRECTION OF UNREELING



NOTES:

- 10 sprocket holes pitch cumulative tolerance ± 0.20 mm.
- Carrier camber not to exceed 1 mm in 250 mm.
- A0 and B0 measured on a plane 0.3 mm above the bottom of the pocket.
- K0 measured from a plane on the inside bottom of the pocket to the top surface of the carrier.
- All dimensions meet EIA-481-D requirements.
- Material: Black PS (RoHS Compliant)
- Thickness: 0.40 ± 0.05 mm.
- Packing length per 13" reel: 15.3 Meters.
- Component loader per 13" reel: 1200 pcs.

注:未注公差為: ± 0.10

NOTE: ALL TOLERANCES ARE: ± 0.10 , EXCEPT WHERE NOTED

ITEM	W	A ₀	B ₀	K ₀	K ₁	P	F	E	D ₀	D ₁	P ₀	P ₂	T
DIM	16 ± 0.3	6.75 ± 0.1	6.75 ± 0.1	4.4 ± 0.1		12 ± 0.1	7.5 ± 0.1	1.75 ± 0.1	1.5 ± 0.1		4.0 ± 0.1	2.0 ± 0.1	0.40 ± 0.05

CUSTOMER OUTLINE DRAWING

ALL OTHER SHEETS ARE FOR INTERNAL USE ONLY

<p>UNLESS OTHERWISE SPECIFIED, DIMENSIONS ARE IN METRIC AND TOLERANCES ARE: < 0.5mm ± 0.05mm 0.5 - 6mm ± 0.1mm 6 - 30mm ± 0.2mm 30 - 120mm ± 0.3mm ANGLES $\pm 1^\circ$</p> <p>NOTICE - These drawings, specifications, or other data (1) are, and remain the property of Amphenol corp. (2) must be returned upon request; and (3) are confidential and not to be disclosed to any person other than those to whom they are given by Amphenol Corp. the furnishing of these drawings, specifications, or other data by Amphenol Corp., or to any other person to anyone for any purpose is not to be regarded by implication or otherwise in any manner licensing, granting rights to permitting such holder or any other person to manufacture, use or sell any product, process or design, patented or otherwise, that may in any way be related to or disclosed by said drawings, specifications, or other data.</p>	MATERIAL	DRAWN	DATE	TITLE	<p>Amphenol RF</p> <p>www.amphenolrf.com</p>
	REFERENCE	STAR	05-Dec-17		
	AND	ENGINEER	DATE	SCALE: 15.0:1.0 SHEET 3 OF 3	
	CONFIGURATION LEVEL: In Work	SUNDE	05-Dec-17		
FINISH	APPROVED	DATE		DWG SIZE	REV
	S.HSIEH	05-Dec-17		B	A
	CAD FILE				