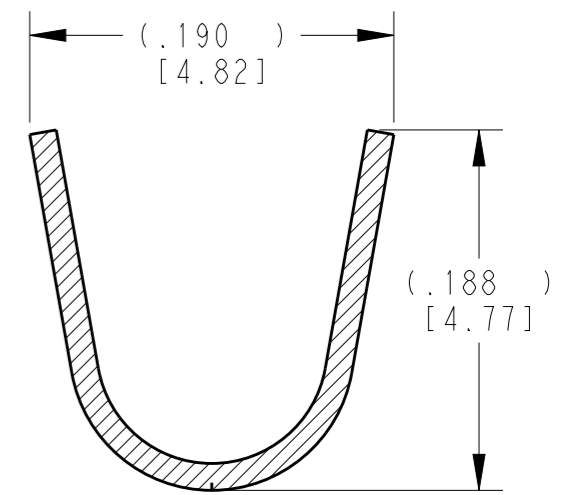
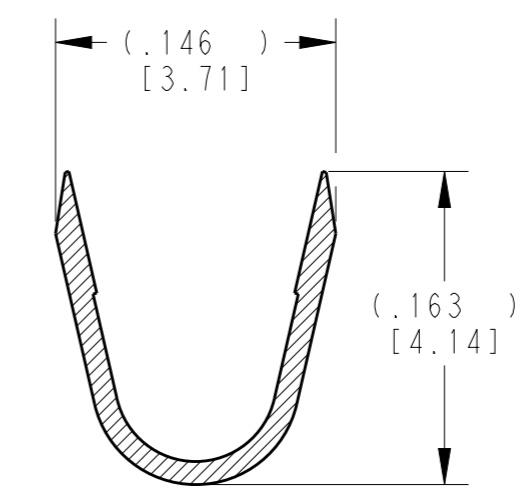
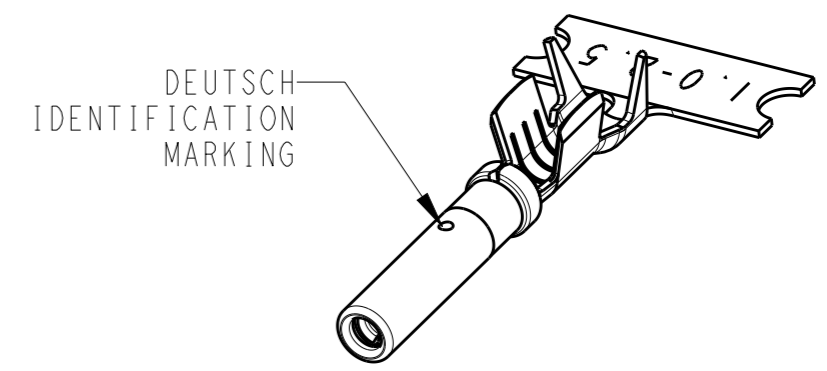
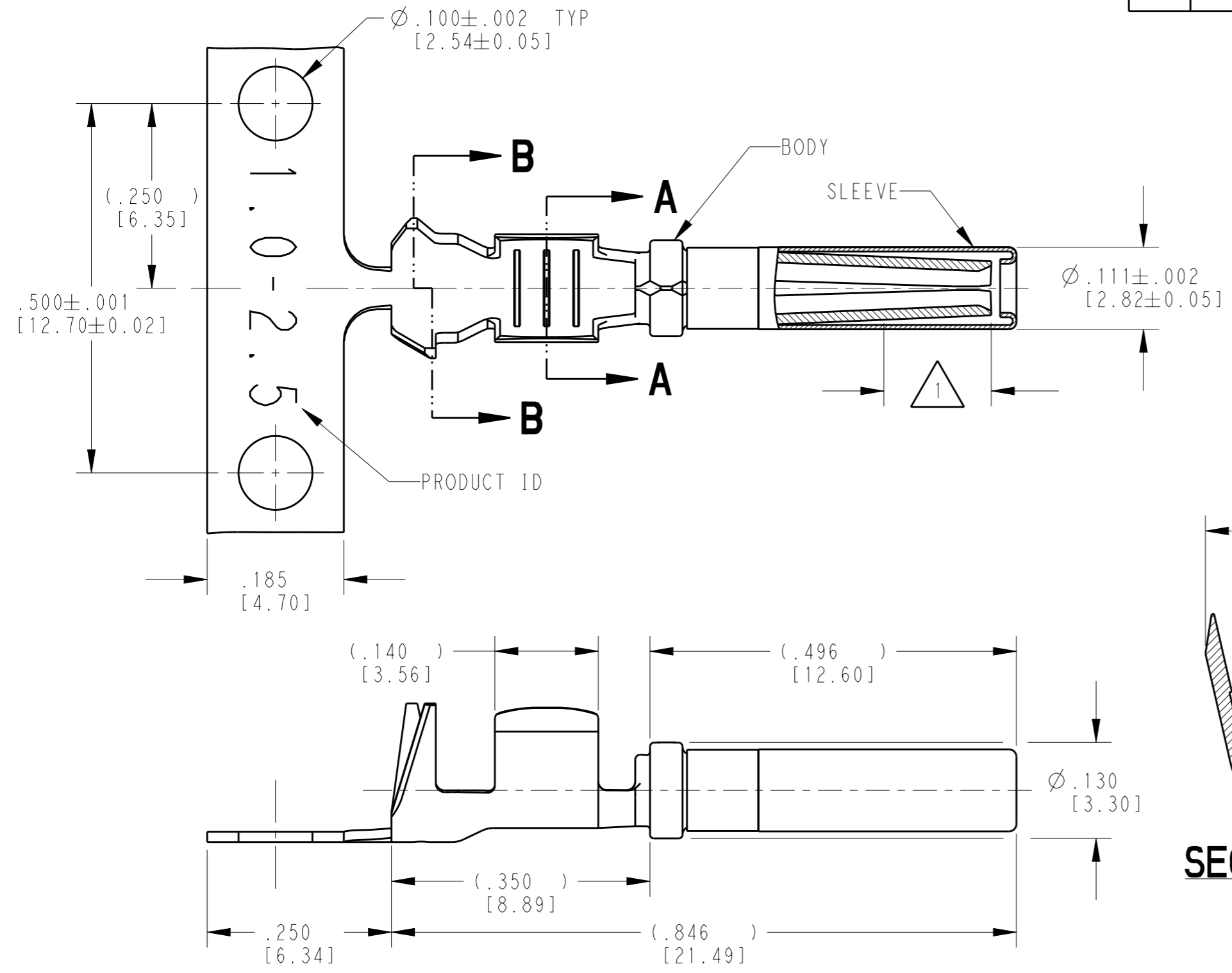


THIS DRAWING IS UNPUBLISHED  
 RELEASED FOR PUBLICATION 2015  
 © COPYRIGHT 2000 BY TE CONNECTIVITY ALL RIGHTS RESERVED.

LOC		DIST		REVISIONS			
P	LTR	DESCRIPTION	DATE	DWN	APVD		
	NC	NEW RELEASE PER E.O. PI7672	14MAR2002	DM	RDR		
	A	REVISED PER E.O. PI9555	11JUL2007	JA	RDR		
	B	REVISED PER E.O. P20396	25JUN2010	JA	RDR		
	C	REVISED PER ECO-15-007761	28MAY2015	RL	DM		



- 3 MATERIAL:  
 BODY: .014 [0.36] THICK COPPER ALLOY  
 SLEEVE: STAINLESS STEEL
- 2. WIRE RANGE: 16 AWG TO 12 AWG [1.0-2.5 mm<sup>2</sup>]  
 INSULATION RANGE:  $\phi .075-.140$  [ $\phi 1.91-3.56$ ]
- 1 APPLIES ONLY TO SELECTIVE GOLD 1062-16-1244.  
 INDICATED DIMENSION SHOWS GOLD PLATED AREA.

NOTES: UNLESS OTHERWISE SPECIFIED

THIS DRAWING IS A CONTROLLED DOCUMENT.	
DIMENSIONS: mm [INCHES]	TOLERANCES UNLESS OTHERWISE SPECIFIED:
	0 PLC ±
	1 PLC ±
	2 PLC ±
	3 PLC ±.025 [0.64]
	4 PLC ±
	ANGLES ±
MATERIAL	FINISH
3	SEE TABLE

DWN	28 JUN 2000
CHK	VLADIMIR TOMSA
APVD	14 MAR 2002
APVD	14 MAR 2000
PRODUCT SPEC	0425-015-0000
APPLICATION SPEC	0425-039-0000
WEIGHT	0.50 g

TE INTERNAL PN	DEUTSCH PN	PLATING
1062-16-1222	1062-16-1222	NICKEL
1062-16-1244	1062-16-1244	SELECTIVE GOLD
1062-16-1277	1062-16-1277	TIN

**TE** TE Connectivity

NAME: SOCKET, STAMPED AND FORMED  
 SIZE 16  
 12-16AWG

SIZE	CAGE CODE	DRAWING NO	RESTRICTED TO
A3	4AFU8	©=1062-16-12XX	-

Customer Drawing SCALE 6:1 SHEET 1 OF 1 REV C