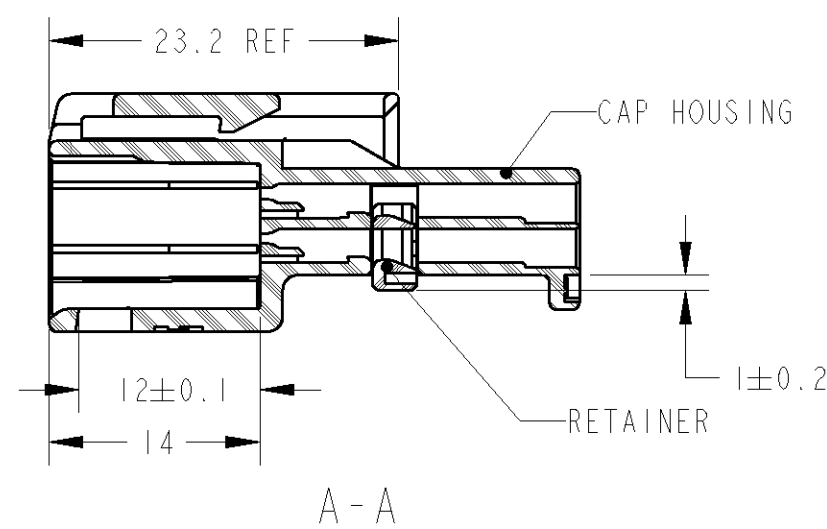
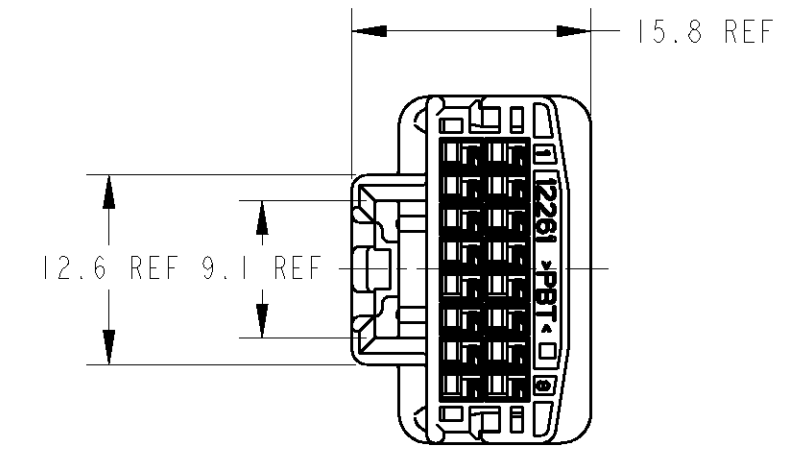
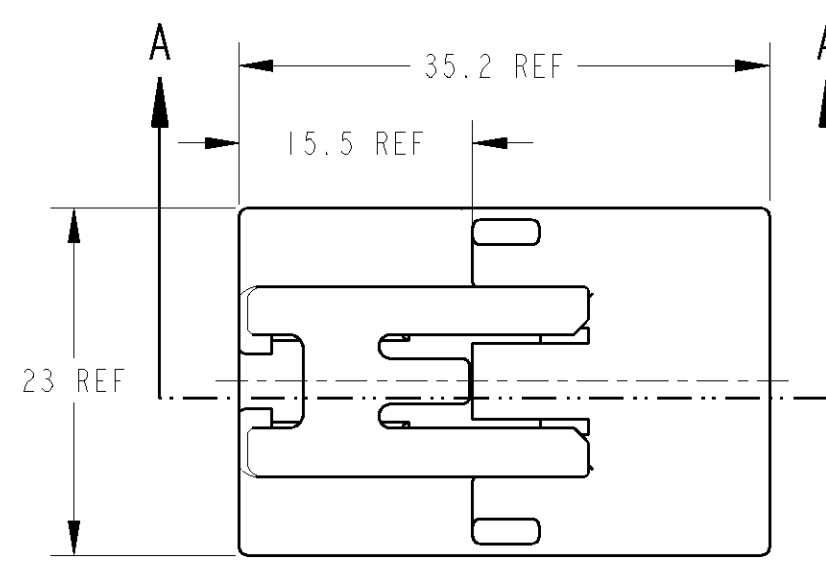
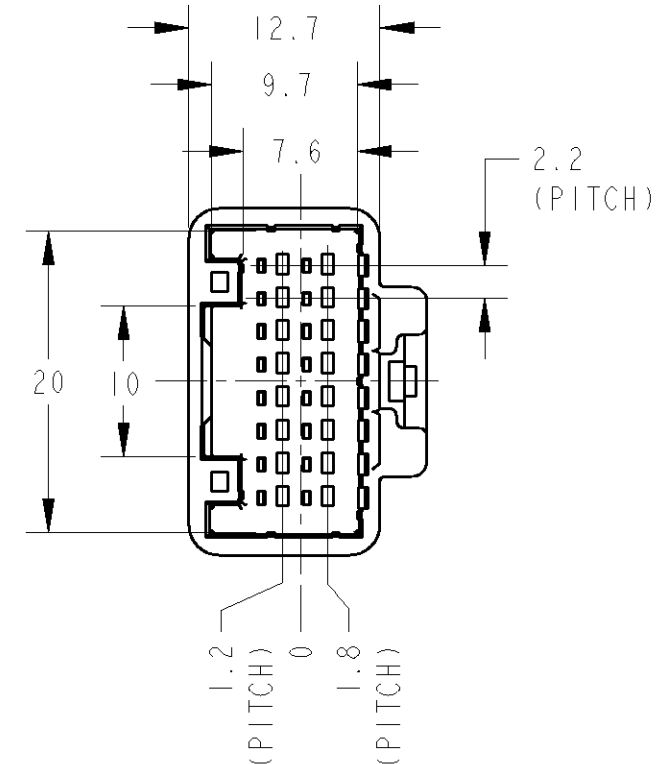
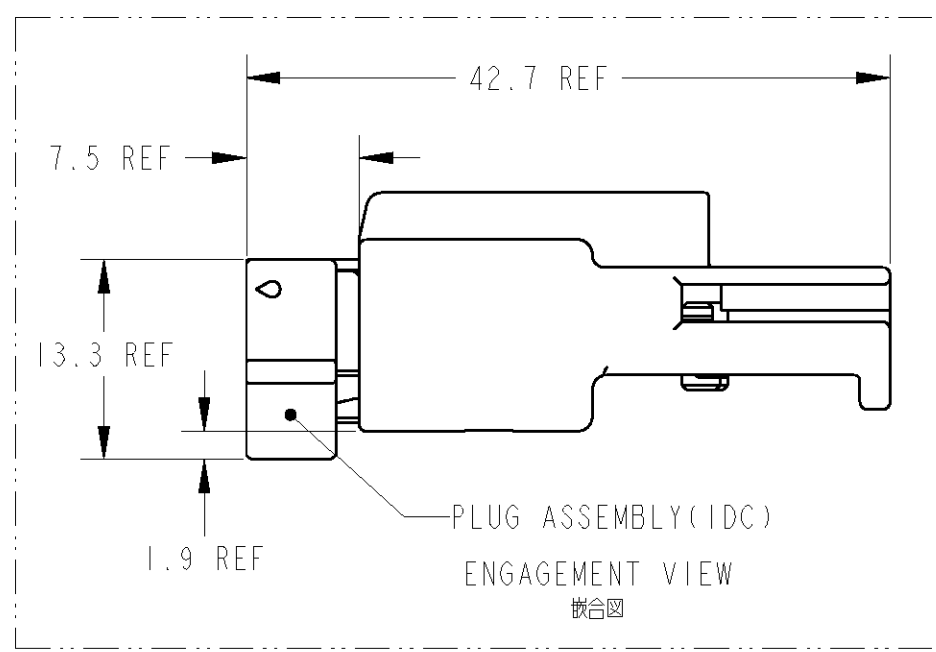


THIS DRAWING IS UNPUBLISHED. RELEASED FOR PUBLICATION 20  
 © COPYRIGHT 20 BY TYCO ELECTRONICS CORPORATION. ALL RIGHTS RESERVED.

LOC	DIST	REVISIONS						
		P	LTR	DESCRIPTION	ECN	DATE	DWN	APVD
J		0		RELEASED	FJ00-2067-01	16OCT01	SA	NS



1. キャップハウジングにダブルロックプレートを取付して出荷される。
  2. 適応端子型番; 1376109, 1473818, 1565406
  3. 取扱説明書; 411-5996
  4. 嵌合相手型番; 1318692(1318690 ASSY) & 1318694(IDC) 1318386
1. PLATE SHOULD BE SET TO THE PRE-ASSEMBLY POSITION WITHIN THE CAP HOUSING WHEN SHIPPED TO THE CUSTOMER
  2. APPLIED TERMINAL; 1376109, 1473818, 1565406
  3. INSTRUCTION SHEET No; 411-5996
  4. PART NUMBER OF PLUG HOUSING TO BE MATED; 1318692(1318690 ASSY) & 1318694(IDC), 1318386



PAPER BOX ダンボール	PLASTIC BAG ビニール袋	NATURAL	1473796-1
OUTER 外装	INNER 内装	COLOR	PART NUMBER
PACKING STYLE 梱包形態			

THIS DRAWING IS A CONTROLLED DOCUMENT FOR TYCO ELECTRONICS CORPORATION IT IS SUBJECT TO CHANGE AND THE CONTROLLING ENGINEERING ORGANIZATION SHOULD BE CONTACTED FOR THE LATEST REVISION.		DWN S. AMEMIYA	16OCT01	<b>AMP</b> Tyco Electronics AMP K.K. Kawasaki, Japan
DIMENSIONS: 単位: 英 mm		CHK N. SAI	16OCT01	
TOLERANCES UNLESS OTHERWISE SPECIFIED: 一般公差: ±0.3		APVD N. SAI	16OCT01	
MATERIAL 材料 PBT		PRODUCT SPEC 製品規格 108-5660		NAME 名称 16POSITION CAP ASSEMBLY 025 IDC CONNECTOR
FINISH 仕上 SEE TABLE		APPLICATION SPEC 取付適用規格 114-5276, 114-5291		SIZE A3
		WEIGHT 5.2g		CAGE CODE 00779
		CUSTOMER DRAWING		DRAWING NO C-1473796
		SCALE 尺度 2:1		RESTRICTED TO
		SHEET 1		OF 1
				REV 0