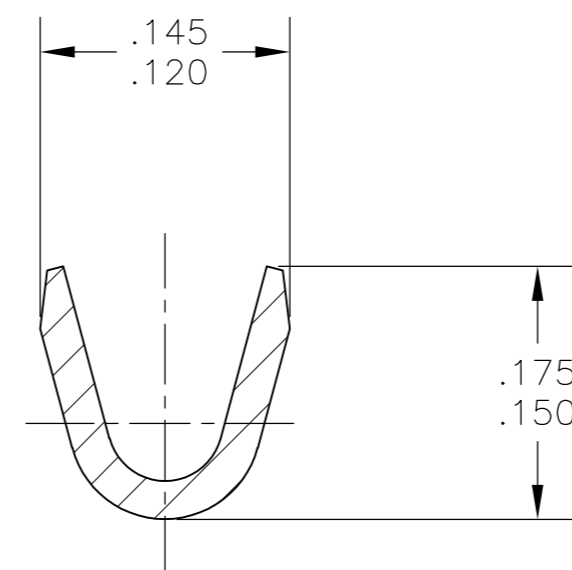
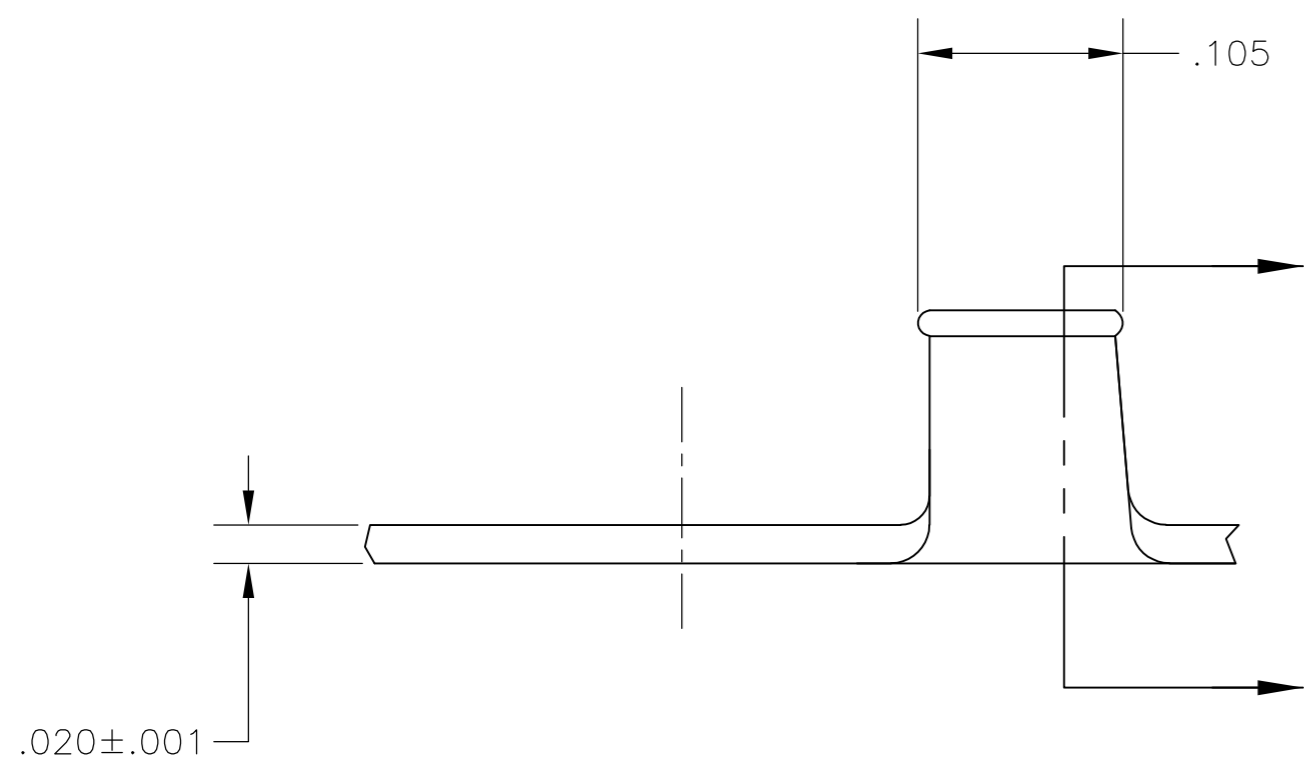
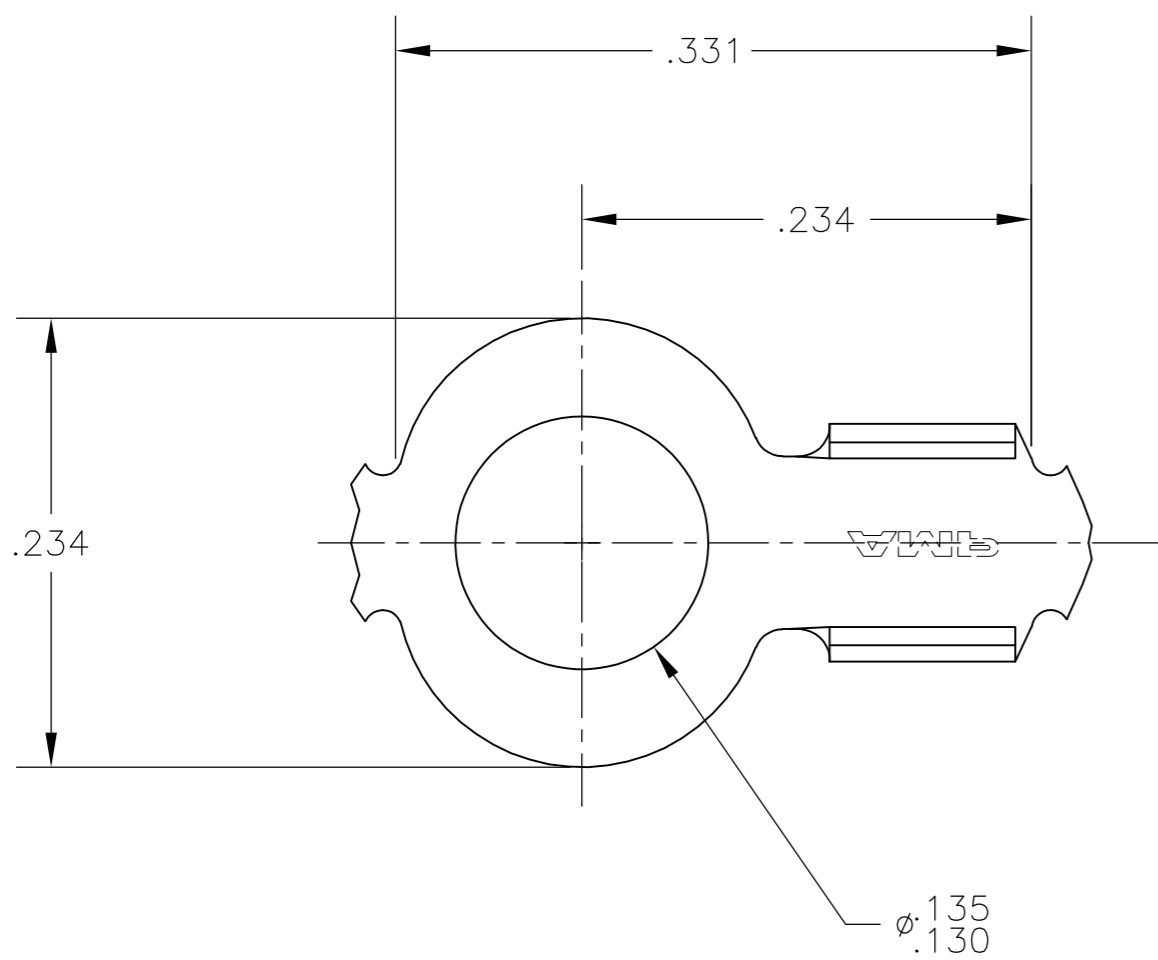


THIS DRAWING IS UNPUBLISHED. RELEASED FOR PUBLICATION
 © COPYRIGHT BY TYCO ELECTRONICS CORPORATION. ALL RIGHTS RESERVED.

LOC		DIST		REVISIONS			
AF	50	P	LTR	DESCRIPTION	DATE	DWN	APVD
		H		REVISED PER ECR-10-006099	07JUL10	HMR	PD

1. CONTINUOUS STRIP ON REELS.
2. WIRE RANGE: #18-#14 AWG.



	60250-2
OBSOLETE	60250-1
	PART NUMBER

THIS DRAWING IS A CONTROLLED DOCUMENT.		DWN 17JUN2003 MICHAEL S. FEHER	Tyco Electronics Corporation Harrisburg, PA 17105-3608																		
DIMENSIONS: INCHES		CHK 17JUN2003 DONALD F. DECKER	NAME																		
TOLERANCES UNLESS OTHERWISE SPECIFIED:		APVD 17JUN2003 DONALD F. DECKER	PRODUCT SPEC																		
<table border="0"> <tr><td>0 PLC</td><td>±</td><td>-</td></tr> <tr><td>1 PLC</td><td>±</td><td>-</td></tr> <tr><td>2 PLC</td><td>±</td><td>-</td></tr> <tr><td>3 PLC</td><td>±</td><td>.010</td></tr> <tr><td>4 PLC</td><td>±</td><td>-</td></tr> <tr><td>ANGLES</td><td>±</td><td>-</td></tr> </table>		0 PLC	±	-	1 PLC	±	-	2 PLC	±	-	3 PLC	±	.010	4 PLC	±	-	ANGLES	±	-	APPLICATION SPEC	
0 PLC	±	-																			
1 PLC	±	-																			
2 PLC	±	-																			
3 PLC	±	.010																			
4 PLC	±	-																			
ANGLES	±	-																			
MATERIAL 082 BRASS	FINISH TIN	WEIGHT -	SIZE A2	CAGE CODE 00779																	
CUSTOMER DRAWING		DRAWING NO C=60250		RESTRICTED TO -																	
		SCALE 10:1	SHEET 1	OF 1																	
		REV H																			