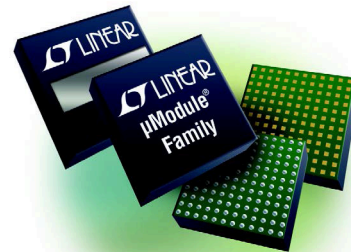


High Voltage DC/DC µModule Products

Step-Down, Step-Down with CVCC, Isolated, Buck-Boost, Inverting
(CVCC: Constant-Voltage Constant-Current)

Input: Up to 65V Abs Max
Output: Up to 48V



	Part Number	Y	V _{IN} Range	Abs Max Voltage				V _{OUT} Range	I _{OUT}	Package Size (mm)		
				40V	42V	60V	65V					
Step-Down	LTM [®] 8053	Y	3.4V to 40V					0.97V to 18V	3.5A	6.25 x 9 x 3.32	BGA	new
	LTM8050	Y	3.6V to 58V					0.8V to 24V	2A	9 x 15 x 4.92	BGA	
	LTM8027	Y	4.5V to 60V					2.5V to 24V	4A	15 x 15 x 4.32 15 x 15 x 4.92	LGA BGA	
Step Down: Constant-Voltage Constant-Current	LTM8026	Y	6V to 36V					1.2V to 24V	5A	11.25 x 15 x 2.82 11.25 x 15 x 3.42	LGA BGA	
	LTM8052	Y	6V to 36V					1.2V to 24V	5A (Sink & Source)	11.25 x 15 x 2.82 11.25 x 15 x 3.42	LGA BGA	
	LTM8064	Y	6V to 58V					1.2V to 36V	6A (Sink & Source)	16 x 11.9 x 4.92	BGA	new
Isolated (2kVAC)	LTM8067	Y	2.8V to 40V					2.5V to 24V	450mA	9 x 11.25 x 4.92	BGA	new
	LTM8068	Y	2.8V to 40V					V _{OUT1} : 1.2V to 18V V _{OUT2} : 2.5V to 24V	I _{OUT1} : 300mA (LDO) I _{OUT2} : 150mA	9 x 11.25 x 4.92	BGA	new
Buck-Boost	LTM8054		5V to 36V					1.2V to 36V	5.4A*	11.25 x 15 x 3.42	BGA	
	LTM8055		5V to 36V					1.2V to 36V	8.5A*	15 x 15 x 4.92	BGA	
	LTM8056		5V to 58V					1.2V to 48V	5.5A*	15 x 15 x 4.92	BGA	
Inverting												

*In Step-Down Mode



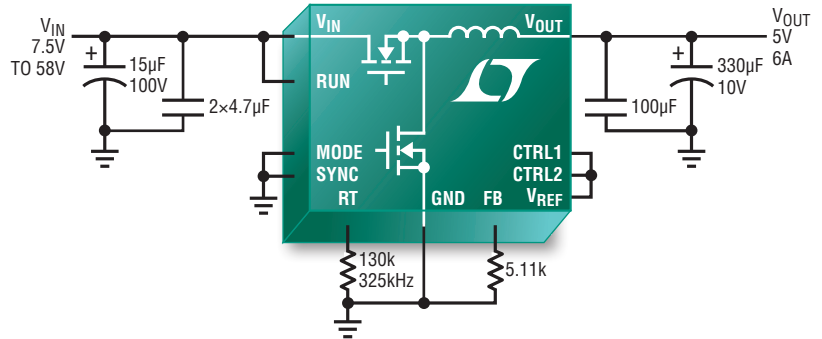
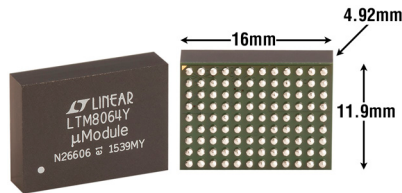
LT, LT, LTC, LTM, Linear Technology, µModule and the Linear logo are registered trademarks of Linear Technology Corporation. All other trademarks are the property of their respective owners.

High Voltage DC/DC μ Module Products

LTM8064

58V_{IN}, 6A CVCC Step-Down μ Module[®] Regulator

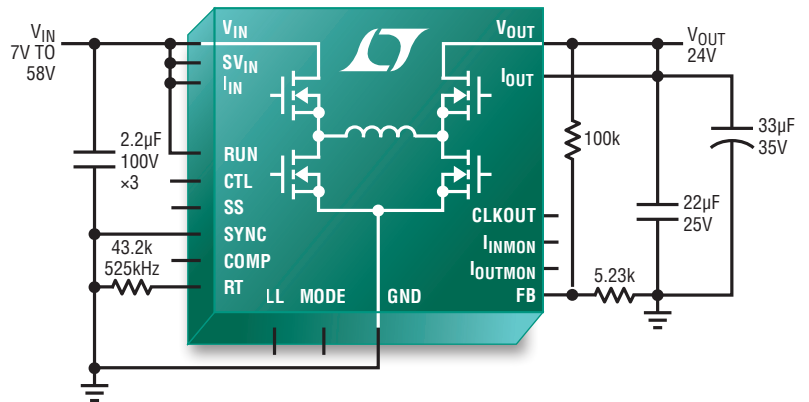
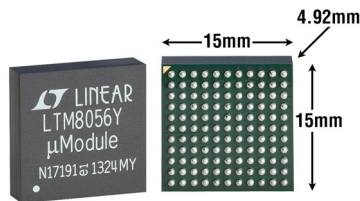
- Wide Input Voltage Range: 6V to 58V
- Wide Output Voltage Range : 1.2V to 36V
- CVCC: Constant-Voltage, Constant-Current
- 2-Quadrant: Sources and Sinks Output Current
- Parallelable for Increased Output Current, Even from Different Voltage Sources
- Adjustable Output Current Up to 7A When Sourcing or 9.1A When Sinking
- 16mm x 11.9mm x 4.92mm BGA Package



LTM8056

58V_{IN}, 48V_{OUT} Step-Up & Down μ Module Regulator

- Wide Input Voltage Range: 5V to 58V
- Wide Output Voltage Range : 1.2V to 48V
- Regulates Output Voltage Equal to, Greater or Less than Input Voltage
- Adjustable Input and Output Average Current Limits
- 15mm x 15mm x 4.92mm BGA Package



LTM8067

2.8V to 40V_{IN}, Isolated μ Module DC/DC Converter

- 2kVAC Isolated μ Module Converter
- UL60950 Recognized File 464570
- Wide Input Voltage Range: 2.8V to 40V
- Up to 450mA Output Current ($V_{IN} = 24V, V_{OUT} = 5V$)
- Output Adjustable from 2.5V to 24V
- 9mm x 11.25mm x 4.92mm BGA Package

