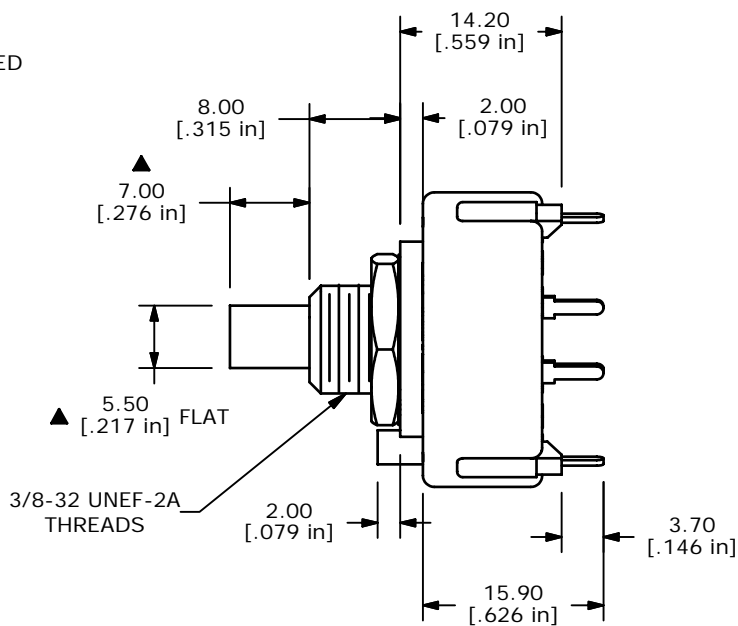
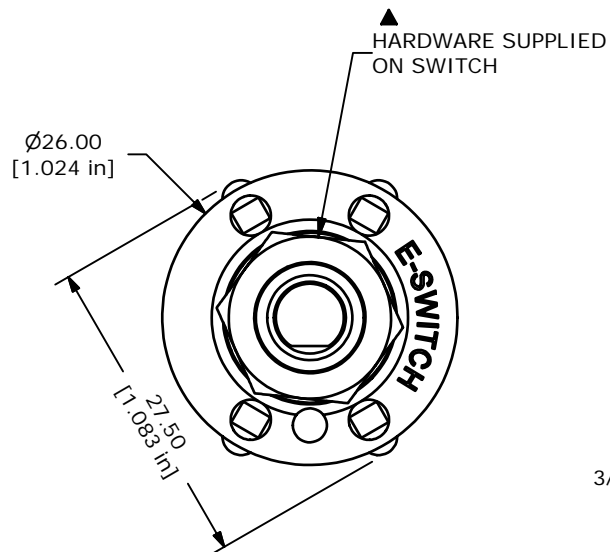
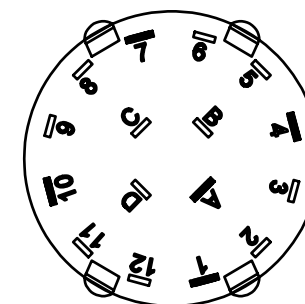


ISOMETRIC



- NOTE:
1. ALL DIMENSIONS IN MM[INCH].
  2. GENERAL TOLERANCE: X.X=±0.4  
X.XX=±0.25
  3. TERM. NOS. FOR REFERENCE ONLY.
  - ▲4. CONTACT MATERIAL: SILVER
  5. CONTACT RATING: AC125V @ 0.3A
  6. OPERATING FORCE 425±100CM/STANDARD
  7. OPERATING TEMP: -30°C TO 85°C
  8. CIRCUIT SP: 4 POSITION, -90° INDEX
  9. DIELECTRIC STRENGTH: 1000V RMS MIN.@ SEA LEVEL.
  - ▲10. HARDWARE SUPPLIED ON SWITCH:  
LOCKWASHER, HEXNUT
  11. ▲ DENOTES CRITICAL PARAMETER.
  - ▲12. FUNCTION TYPE: NON-STOP
  13. 2002/95/EC (ROHS) COMPLIANT



B	17431	ADDED 5.50 FLAT NOTE TO ACT.	7/3/07	TN
A	17069	RELEASED FOR PRODUCTION	3/8/07	TN
REV	PCR NO	DESCRIPTION	DATE	BY

TITLE KC58A7.001NPS NON-STOP				
SCALE	DATE	DR	DWG	REV
1.5:1	7/3/2007	TN	G511011	B

THE INFORMATION CONTAINED IN THIS DOCUMENT IS PROPRIETARY TO E-SWITCH AND IS NOT TO BE COPIED OR TRANSFERRED