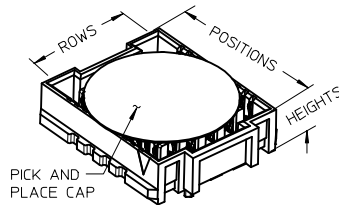
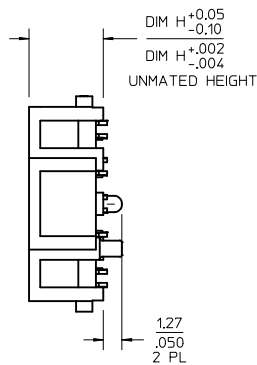
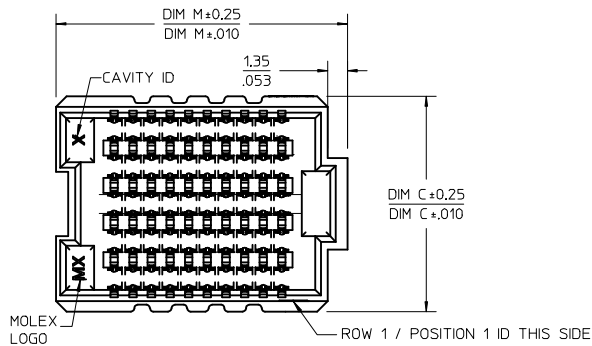


10 ROW  
10 POSITION  
SHOWN



| POSITION |           |
|----------|-----------|
| 10       | 0.15/.006 |
| 20       | 0.15/.006 |
| 30       | 0.15/.006 |
| 40       | 0.15/.006 |
| 50       | 0.15/.006 |
| 15       | 0.15/.006 |
| 25       | 0.15/.006 |
| 35       | 0.23/.009 |
| 45       | 0.23/.009 |

NOTES:

- MATERIALS: HOUSING: LCP, GLASS FILLED, UL94V-0, BLACK  
CONTACTS: COPPER ALLOY  
SOLDER CHARGE: 63% TIN, 37% LEAD
- FINISH: SELECT GOLD IN CONTACT AREA: 30 MICRINCH MINIMUM  
SELECT TIN IN TAIL, 50 MICRINCH MINIMUM  
OVERALL - NICKEL UNDERPLATE OVERALL
- PRODUCT SPECIFICATION: PS-45970-001
- PACKAGING SPECIFICATION: TAPE AND REEL PACK PK-45971-002
- MATES WITH SEARAY PLUG ASSEMBLY 45970
- APPLICATION SPECIFICATION: AS-45970-001
- COSMETIC SPECIFICATION: PS-45499-002 CLASS B
- PART STATUS: CONTACT MOLEX

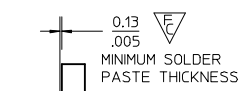
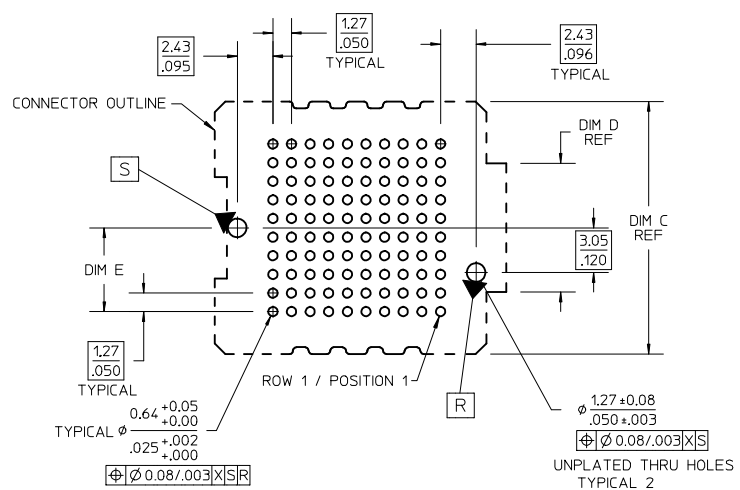
SEE SHEET 3 FOR  
6 ROW GEOMETRY

|  |  |  |   |                                      |                        |
|--|--|--|---|--------------------------------------|------------------------|
| INITIAL RELEASE<br>EC NO: UCP2015-1206<br>DRAWN: RWHIPPLE 2014/10/23<br>CHKD: DMORGAN 2014/10/23<br>APPR: SMILLER 2015/01/05 | QUALITY SYMBOLS<br>$\nabla = 0$<br>$\nabla = 0$<br>$\nabla = 0$  | GENERAL TOLERANCES (UNLESS SPECIFIED)<br>mm INCH<br>4 PLACES ± --- ± ---<br>3 PLACES ± --- ± .010<br>2 PLACES ± 0.25 ± .015<br>1 PLACE ± 0.38 ± ---<br>0 PLACE ± ± | DIMENSION STYLE<br>MM/IN<br>DRAWN BY DATE<br>RWHIPPLE 2014/10/23<br>CHECKED BY DATE<br>DMORGAN 2014/10/24<br>APPROVED BY DATE<br>SMILLER 2015/01/05 | SCALE<br>3:1<br>DESIGN UNITS<br>INCH | THIRD ANGLE PROJECTION |
|  | TITLE<br>SEARAY RECEPTACLE ASSEMBLY, TIN/LEAD 1.27/.050 CENTERS  |  |   |                                      |                        |
|  | MATERIAL NO. SEE TABLES SHT 4<br>DOCUMENT NO. RSD-45971-001<br>SHEET NO. 1 OF 4  |  |   |                                      |                        |
|  | DRAFT WHERE APPLICABLE MUST REMAIN WITHIN DIMENSIONS<br>SIZE B THIS DRAWING CONTAINS INFORMATION THAT IS PROPRIETARY TO MOLEX INCORPORATED AND SHOULD NOT BE USED WITHOUT WRITTEN PERMISSION |  |   |                                      |                        |

10 9 8 7 6 5 4 3 2 1

|            |            |           |           |
|------------|------------|-----------|-----------|
| NO OF ROWS | DIM C      | DIM D     | DIM E     |
| 8          | 12.14/.478 | 3.70/.146 | 4.44/.175 |
| 10         | 14.68/.578 | 6.24/.246 | 5.71/.225 |

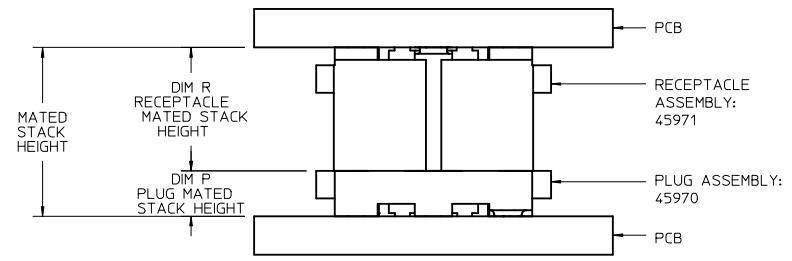
10 ROW  
10 POSITION  
SHOWN



RECOMMENDED PCB LAYOUT: COMPONENT SIDE  
SOLDER SCREEN APERTURE SIZE: .089/.035 DIAMETER  
PCB THICKNESS: NA

|                            |     | DIM R<br>RECEPTACLE STACK HEIGHT |      |      |      |      |      |
|----------------------------|-----|----------------------------------|------|------|------|------|------|
|                            |     | MM                               | 5.0  | 6.0  | 6.5  | 7.5  | 8.0  |
| DIM P<br>PLUG STACK HEIGHT | 2.0 | 7.0                              | 8.0  | 8.5  | 9.5  | 10.0 | 10.0 |
|                            | 3.0 | 8.0                              | 9.0  | 9.5  | 10.5 | 11.0 | 11.0 |
|                            | 3.5 | 8.5                              | 9.5  | 10.0 | 11.0 | 11.5 | 11.5 |
|                            | 2.5 | 7.5                              | 8.5  | 9.0  | 10.0 | 10.5 | 10.5 |
|                            | 4.5 | 9.5                              | 10.5 | 11.0 | 12.0 | 12.5 | 12.5 |
|                            | 5.0 | 10.0                             | 11.0 | 11.5 | 12.5 | 13.0 | 13.0 |
|                            | 7.0 | 12.0                             | 13.0 | 13.5 | 14.5 | 15.0 | 15.0 |

MATED STACK HEIGHTS  
GIVEN IN MILLIMETERS (MM) FOR REFERENCE ONLY

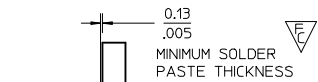
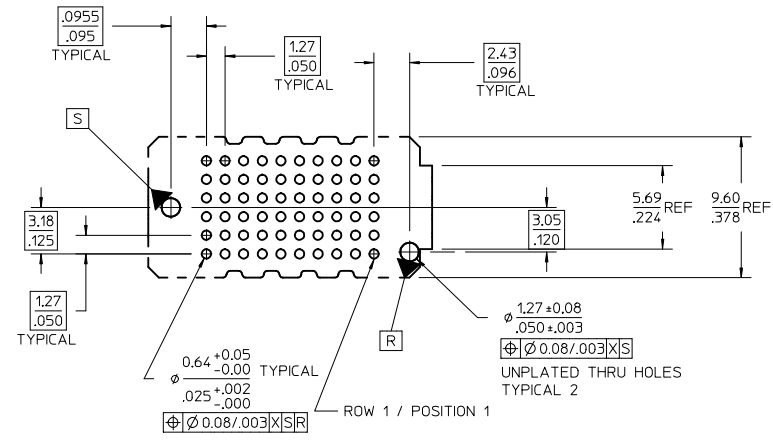


MATED STACK HEIGHTS  
GIVEN IN MILLIMETERS (MM) FOR REFERENCE ONLY

|  |  |                                       |   |              |               |  |
|--|--|---------------------------------------|---|--------------|---------------|--|
| SEE SHEET 1<br>EC NO: UCP2015-1206<br>DRAWN: RWHIPPLE 2014/10/23<br>CHKD: DMORGAN 2014/10/23<br>APPR: SMILLER 2015/01/05 | QUALITY SYMBOLS                                      | GENERAL TOLERANCES (UNLESS SPECIFIED) | DIMENSION STYLE   | SCALE        | DESIGN UNITS  | THIRD ANGLE PROJECTION                                 |
|  | $F/0$  | mm INCH                               | MM/IN   | 3:1          | INCH          |  |
|  | $F/2$  | 4 PLACES ± --- ± ---                  | DRAWN BY DATE   |              |               |  |
|  | $F/0$  | 3 PLACES ± --- ± .010                 | RWHIPPLE 2014/10/23   |              |               |  |
|  | 2 PLACES ± 0.25 ± .015                               | CHECKED BY DATE                       |   |              |               | SEARAY RECEPTACLE ASSEMBLY, TIN/LEAD 1.27/.050 CENTERS |
|  | 1 PLACE ± 0.38 ± ---                                 | DMORGAN 2014/10/24                    |   |              |               |  |
|  | 0 PLACE ± ±  | APPROVED BY DATE                      |   |              |               | molex  |
|  | ANGULAR ± --- °                                      | SMILLER 2015/01/05                    |   |              |               |  |
|  | DRAFT WHERE APPLICABLE MUST REMAIN WITHIN DIMENSIONS | MATERIAL NO.                          | SEE TABLES SHT 4  | DOCUMENT NO. | RSD-45971-001 | SHEET NO. 2 OF 4                                       |
|  |  | SIZE B                                | THIS DRAWING CONTAINS INFORMATION THAT IS PROPRIETARY TO MOLEX INCORPORATED AND SHOULD NOT BE USED WITHOUT WRITTEN PERMISSION |              |               |  |

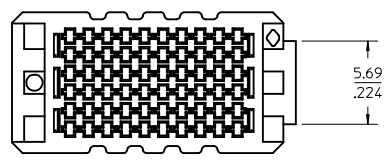
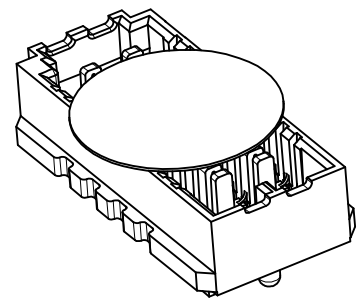
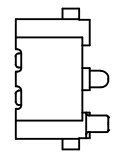
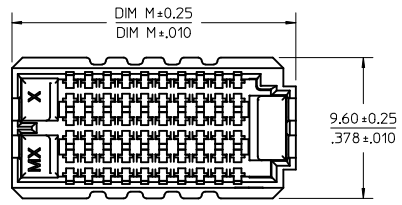
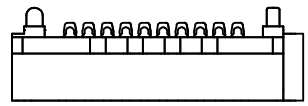
9 8 7 6 5 4 3 2 1

CONNECTOR OUTLINE



RECOMMENDED PCB LAYOUT: COMPONENT SIDE  
 SOLDER SCREEN APERTURE SIZE: .089 / .035  
 PCB THICKNESS: NA

6 ROW GEOMETRY



|  |       |   |  |   |                                  |   |                               |                     |
|--|-------|---|--|---|----------------------------------|---|-------------------------------|---------------------|
| SEE SHEET 1<br>EC NO: UCP2015-1206<br>DRAWN: RWHIPPLE 2014/10/23<br>CHKD: DMORGAN 2014/10/23<br>APPR: SMILLER 2015/01/05 | REV A | QUALITY SYMBOLS<br>▽=0<br>▽=2<br>▽=0  | GENERAL TOLERANCES (UNLESS SPECIFIED)<br>mm INCH<br>4 PLACES ± --- ± ---<br>3 PLACES ± --- ± .010<br>2 PLACES ± 0.25 ± .015<br>1 PLACE ± 0.38 ± ---<br>0 PLACE ± ± | DIMENSION STYLE<br>MM/IN<br>DRAWN BY DATE<br>RWHIPPLE 2014/10/23<br>CHECKED BY DATE<br>DMORGAN 2014/10/24<br>APPROVED BY DATE<br>SMILLER 2015/01/05 | SCALE<br>3:1                     | DESIGN UNITS<br>INCH  | THIRD ANGLE PROJECTION        |                     |
|  |       | ANGULAR ± --- °<br>DRAFT WHERE APPLICABLE<br>MUST REMAIN WITHIN DIMENSIONS  |  |   | MATERIAL NO.<br>SEE TABLES SHT 4 | TITLE<br>SEARAY RECEPTACLE ASSEMBLY, TIN/LEAD 1.27/.050 CENTERS | DOCUMENT NO.<br>RSD-45971-001 | SHEET NO.<br>3 OF 4 |
|  |       | THIS DRAWING CONTAINS INFORMATION THAT IS PROPRIETARY TO MOLEX INCORPORATED AND SHOULD NOT BE USED WITHOUT WRITTEN PERMISSION |  |   |                                  |   |                               |                     |
|  |       | molex   |  |   |                                  |   |                               |                     |

ROWS: 6

| DIM R: (REF) |             | 5.0 MM      | 6.0 MM      | 6.5 MM      | 7.5 MM      | 8.0 MM      |
|--------------|-------------|-------------|-------------|-------------|-------------|-------------|
| DIM H:       |             | 5.05/199    | 6.04/238    | 6.66/258    | 7.54/297    | 8.05/317    |
| POSITION     | DIM M       | MATERIAL NO | MATERIAL NO | MATERIAL NO | MATERIAL NO | MATERIAL NO |
| 10           | 19.86/0.782 | 45971-1167  | 45971-1267  | 45971-1367  | 45971-1467  | 45971-1567  |
| 20           | 32.56/1.282 | 45971-2167  | 45971-2267  | 45971-2367  | 45971-2467  | 45971-2567  |
| 30           | 45.26/1.782 | 45971-3167  | 45971-3267  | 45971-3367  | 45971-3467  | 45971-3567  |
| 40           | 57.96/2.282 | 45971-4167  | 45971-4267  | 45971-4367  | 45971-4467  | 45971-4567  |
| 50           | 70.68/2.782 | 45971-5167  | 45971-5267  | 45971-5367  | 45971-5467  | 45971-5567  |
| 15           | 26.21/1.032 | 45971-6167  | 45971-6267  | 45971-6367  | 45971-6467  | 45971-6567  |
| 25           | 38.91/1.532 | 45971-7167  | 45971-7267  | 45971-7367  | 45971-7467  | 45971-7567  |
| 35           | 51.61/2.032 | 45971-8167  | 45971-8267  | 45971-8367  | 45971-8467  | 45971-8567  |
| 45           | 64.31/2.532 | 45971-9167  | 45971-9267  | 45971-9367  | 45971-9467  | 45971-9567  |

ROWS: 10

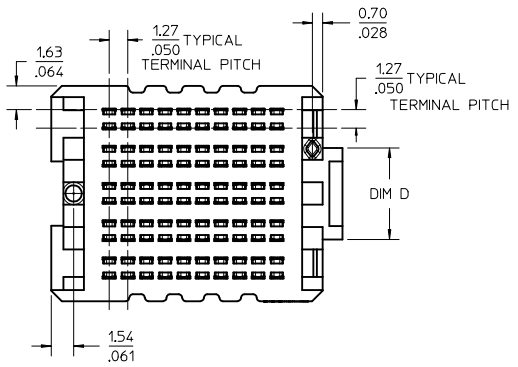
| DIM R: (REF) |             | 5.0 MM      | 6.0 MM      | 6.5 MM      | 7.5 MM      | 8.0 MM      |
|--------------|-------------|-------------|-------------|-------------|-------------|-------------|
| DIM H:       |             | 5.05/199    | 6.04/238    | 6.66/258    | 7.54/297    | 8.05/317    |
| POSITION     | DIM M       | MATERIAL NO | MATERIAL NO | MATERIAL NO | MATERIAL NO | MATERIAL NO |
| 10           | 19.86/0.782 | 45971-1117  | 45971-1217  | 45971-1317  | 45971-1417  | 45971-1517  |
| 20           | 32.56/1.282 | 45971-2117  | 45971-2217  | 45971-2317  | 45971-2417  | 45971-2517  |
| 30           | 45.26/1.782 | 45971-3117  | 45971-3217  | 45971-3317  | 45971-3417  | 45971-3517  |
| 40           | 57.96/2.282 | 45971-4117  | 45971-4217  | 45971-4317  | 45971-4417  | 45971-4517  |
| 50           | 70.68/2.782 | 45971-5117  | 45971-5217  | 45971-5317  | 45971-5417  | 45971-5517  |
| 15           | 26.21/1.032 | 45971-6117  | 45971-6217  | 45971-6317  | 45971-6417  | 45971-6517  |
| 25           | 38.91/1.532 | 45971-7117  | 45971-7217  | 45971-7317  | 45971-7417  | 45971-7517  |
| 35           | 51.61/2.032 | 45971-8117  | 45971-8217  | 45971-8317  | 45971-8417  | 45971-8517  |
| 45           | 64.31/2.532 | 45971-9117  | 45971-9217  | 45971-9317  | 45971-9417  | 45971-9517  |

ROWS: 8

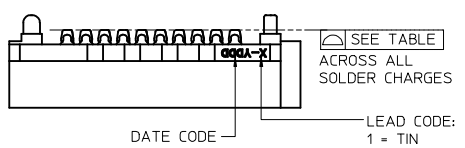
| DIM R: (REF) |             | 5.0 MM      | 6.0 MM      | 6.5 MM      | 7.5 MM      | 8.0 MM      |
|--------------|-------------|-------------|-------------|-------------|-------------|-------------|
| DIM H:       |             | 5.05/199    | 6.04/238    | 6.66/258    | 7.54/297    | 8.05/317    |
| POSITION     | DIM M       | MATERIAL NO | MATERIAL NO | MATERIAL NO | MATERIAL NO | MATERIAL NO |
| 10           | 19.86/0.782 | 45971-1187  | 45971-1287  | 45971-1387  | 45971-1487  | 45971-1587  |
| 20           | 32.56/1.282 | 45971-2187  | 45971-2287  | 45971-2387  | 45971-2487  | 45971-2587  |
| 30           | 45.26/1.782 | 45971-3187  | 45971-3287  | 45971-3387  | 45971-3487  | 45971-3587  |
| 40           | 57.96/2.282 | 45971-4187  | 45971-4287  | 45971-4387  | 45971-4487  | 45971-4587  |
| 50           | 70.68/2.782 | 45971-5187  | 45971-5287  | 45971-5387  | 45971-5487  | 45971-5587  |
| 15           | 26.21/1.032 | 45971-6187  | 45971-6287  | 45971-6387  | 45971-6487  | 45971-6587  |
| 25           | 38.91/1.532 | 45971-7187  | 45971-7287  | 45971-7387  | 45971-7487  | 45971-7587  |
| 35           | 51.61/2.032 | 45971-8187  | 45971-8287  | 45971-8387  | 45971-8487  | 45971-8587  |
| 45           | 64.31/2.532 | 45971-9187  | 45971-9287  | 45971-9387  | 45971-9487  | 45971-9587  |

MATED STACK HEIGHTS  
GIVEN IN MILLIMETERS (MM) FOR REFERENCE ONLY

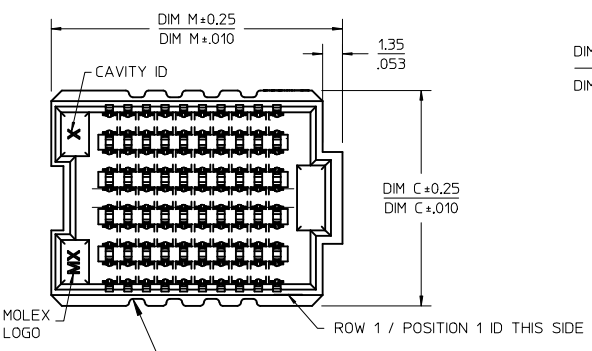
|  |   |   |   |  |  |  |
|--|---|---|---|--|--|--|
| SEE SHEET 1<br>EC NO: UCP2015-1206<br>DRW: RWHIPPLE 2014/10/23<br>CHK: DMORGAN 2014/10/23<br>APPR: SMILLER 2015/01/05<br>A | QUALITY SYMBOLS<br>▽=0<br>▽=0<br>▽=0  | GENERAL TOLERANCES (UNLESS SPECIFIED)<br>4 PLACES ± --- ± ---<br>3 PLACES ± --- ± .010<br>2 PLACES ± 0.25 ± .015<br>1 PLACE ± 0.38 ± ---<br>0 PLACE ± ± | DIMENSION STYLE<br>MM/IN<br>DRAWN BY DATE<br>RWHIPPLE 2014/10/23<br>CHECKED BY DATE<br>DMORGAN 2014/10/24<br>APPROVED BY DATE<br>SMILLER 2015/01/05 | SCALE<br>1:1<br>DESIGN UNITS<br>INCH<br>THIRD ANGLE PROJECTION | SEARAY RECEPTACLE<br>ASSEMBLY, TIN/LEAD<br>1.27/.050 CENTERS<br><b>molex</b> | MATERIAL NO.<br>SEE TABLES<br>DOCUMENT NO.<br>RSD-45971-001<br>SHEET NO.<br>4 OF 4 |
|  | ANGULAR ± --- °<br>DRAFT WHERE APPLICABLE<br>MUST REMAIN<br>WITHIN DIMENSIONS |   | THIS DRAWING CONTAINS INFORMATION THAT IS PROPRIETARY TO MOLEX<br>INCORPORATED AND SHOULD NOT BE USED WITHOUT WRITTEN PERMISSION                    |  |  |  |
|  |   |   |   |  |  |  |
|  |   |   |   |  |  |  |



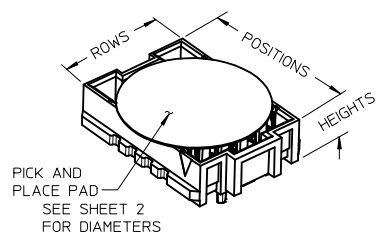
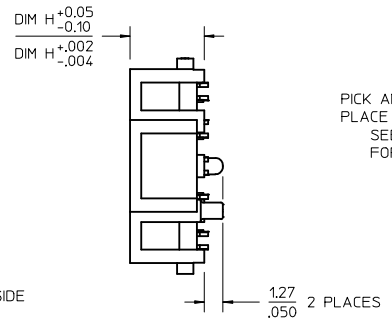
10 ROW  
10 POSITION  
SHOWN



NOTE: THESE CODES MAY BE LOCATED ON EITHER SIDE OF THE HOUSING



SEE SHEET 3 FOR  
6 ROW GEOMETRY



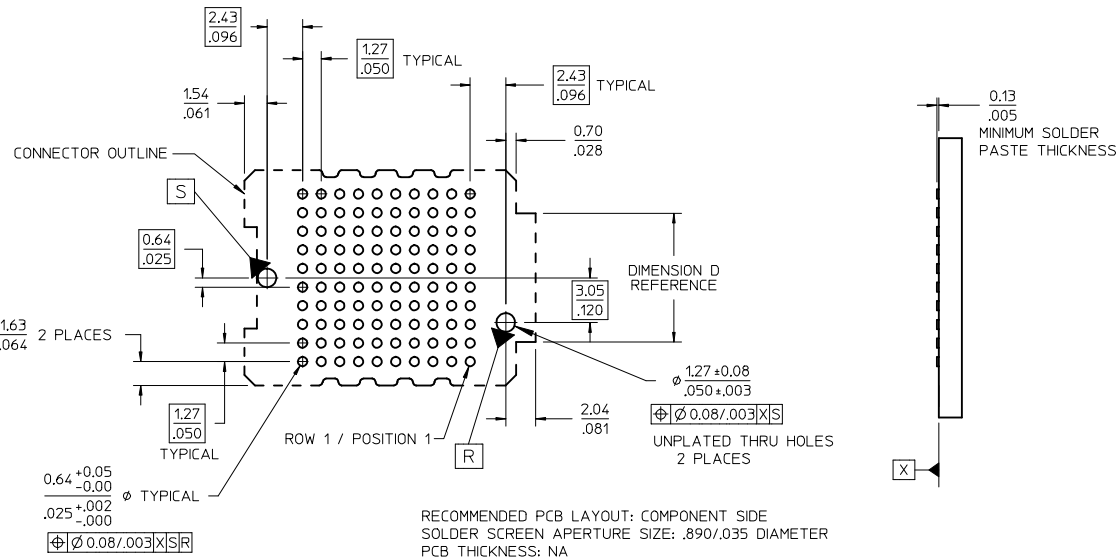
NOTES:

- MATERIALS: HOUSING: GLASS FILLED LCP (LIQUID CRYSTAL POLYMER), UL94V-0, BLACK  
CONTACTS: COPPER ALLOY  
SOLDER CHARGE: 95% TIN, 3.8% SILVER, 0.7% COPPER
- FINISH: SELECT GOLD IN CONTACT AREA: 30 MICROINCH MINIMUM  
SELECT TIN IN TAIL, 50 MICROINCH MINIMUM  
OVERALL NICKEL UNDERPLATE
- PRODUCT SPECIFICATION: PS-45970-001
- PACKAGING SPECIFICATION: PK-45971-002 (TAPE AND REEL)
- MATES WITH SEARAY PLUG ASSEMBLY SERIES 45970
- APPLICATION SPECIFICATION: AS-45970-001
- COSMETIC SPECIFICATION: PS-45499-002 CLASS B
- PART STATUS: CONTACT MOLEX

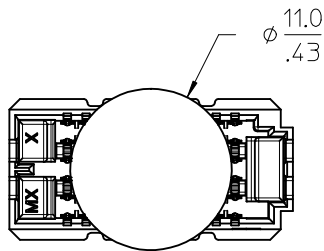
| POSITIONS | TOTAL NUMBER OF EDGE NOTCHES |           |
|-----------|------------------------------|-----------|
| 10        | 8                            | 0.15/.006 |
| 15        | 14                           |           |
| 20        | 18                           |           |
| 25        | 24                           |           |
| 30        | 28                           |           |
| 35        | 34                           | 0.23/.009 |
| 40        | 38                           |           |
| 45        | 44                           |           |
| 50        | 48                           |           |

| <b>CLARIFY OVERALL LENGTH</b><br>EC NO: UCP2015-5493<br>DRWNS:VANG01 2015/06/15<br>CHKD:TIBARRA 2015/08/04<br>APPR:SMILLER 2015/08/07 | QUALITY SYMBOLS<br>▽=0<br>▽=0<br>▽=0                                  | GENERAL TOLERANCES (UNLESS SPECIFIED)<br><table border="1"> <thead> <tr> <th></th> <th>mm</th> <th>INCH</th> </tr> </thead> <tbody> <tr> <td>4 PLACES</td> <td>±---</td> <td>±---</td> </tr> <tr> <td>3 PLACES</td> <td>±---</td> <td>±.010</td> </tr> <tr> <td>2 PLACES</td> <td>±0.25</td> <td>±.015</td> </tr> <tr> <td>1 PLACE</td> <td>±0.38</td> <td>±---</td> </tr> <tr> <td>0 PLACE</td> <td>±</td> <td>±</td> </tr> </tbody> </table> |   | mm | INCH | 4 PLACES | ±--- | ±--- | 3 PLACES | ±--- | ±.010 | 2 PLACES | ±0.25 | ±.015 | 1 PLACE | ±0.38 | ±--- | 0 PLACE | ± | ± | DIMENSION STYLE<br><b>MM/IN</b><br>DRAWN BY: TGREGORI<br>DATE: 2005/05/17<br>CHECKED BY: JCOMERCI<br>DATE: 2005/05/17<br>APPROVED BY: JCOMERCI<br>DATE: 2010/03/05 | SCALE<br><b>3:1</b><br>DESIGN UNITS<br><b>INCH</b><br>THIRD ANGLE PROJECTION | TITLE<br><b>SEARAY RECEPTACLE ASSEMBLY<br/>1.27/.050 CENTERS</b><br><b>molex</b><br>MATERIAL NO. SEE TABLES SHT 4<br>DOCUMENT NO. SD-45971-001<br>SHEET NO. 1 OF 4 |
|---|---|--|---|----|------|----------|------|------|----------|------|-------|----------|-------|-------|---------|-------|------|---------|---|---|--|--|--|
|   |   | mm   | INCH  |    |      |          |      |      |          |      |       |          |       |       |         |       |      |         |   |   |  |  |  |
|   | 4 PLACES  | ±---   | ±---  |    |      |          |      |      |          |      |       |          |       |       |         |       |      |         |   |   |  |  |  |
|   | 3 PLACES  | ±---   | ±.010   |    |      |          |      |      |          |      |       |          |       |       |         |       |      |         |   |   |  |  |  |
| 2 PLACES  | ±0.25   | ±.015  |   |    |      |          |      |      |          |      |       |          |       |       |         |       |      |         |   |   |  |  |  |
| 1 PLACE   | ±0.38   | ±---   |   |    |      |          |      |      |          |      |       |          |       |       |         |       |      |         |   |   |  |  |  |
| 0 PLACE   | ±   | ±  |   |    |      |          |      |      |          |      |       |          |       |       |         |       |      |         |   |   |  |  |  |
|   | DRAFT WHERE APPLICABLE MUST REMAIN WITHIN DIMENSIONS<br>ANGULAR ±---° | SIZE<br><b>B</b>   | THIS DRAWING CONTAINS INFORMATION THAT IS PROPRIETARY TO MOLEX INCORPORATED AND SHOULD NOT BE USED WITHOUT WRITTEN PERMISSION |    |      |          |      |      |          |      |       |          |       |       |         |       |      |         |   |   |  |  |  |
|   |   |  |   |    |      |          |      |      |          |      |       |          |       |       |         |       |      |         |   |   |  |  |  |
|   |   |  |   |    |      |          |      |      |          |      |       |          |       |       |         |       |      |         |   |   |  |  |  |

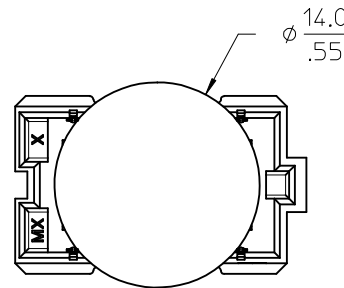
10 ROW  
10 POSITION  
SHOWN



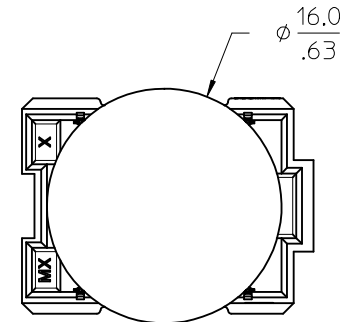
| NUMBER OF ROWS | DIMENSION D |
|----------------|-------------|
| 6              | SEE SHEET 3 |
| 8              | 3.70/.146   |
| 10             | 6.24/.246   |



6 ROW OPTION



8 ROW OPTION



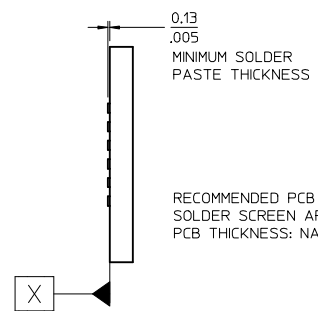
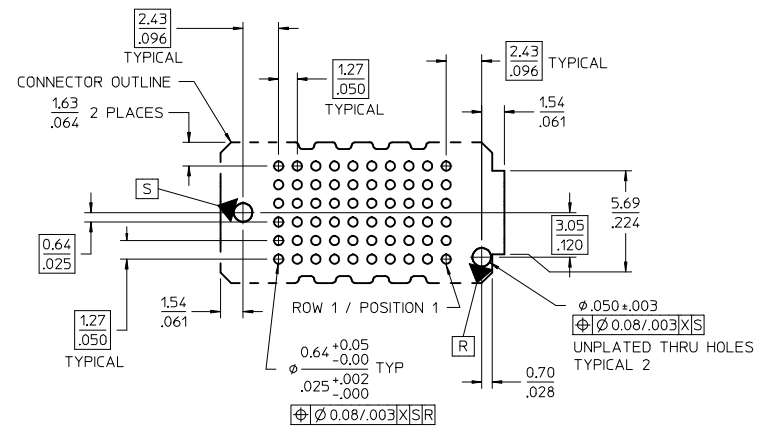
10 ROW OPTION

PICK AND PLACE  
PAD DIAMETERS  
10 POSITION VERSIONS SHOWN

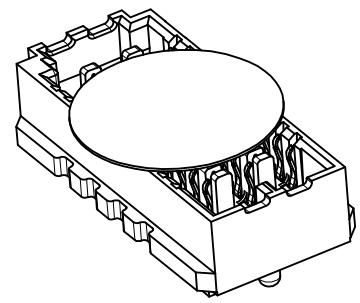
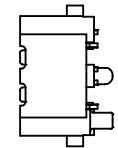
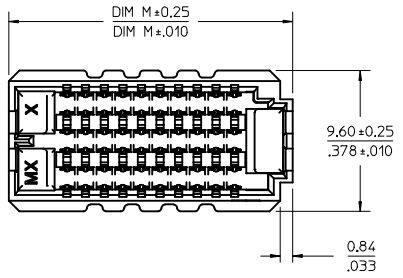
|  |   |   |                            |              |  |                        |
|--|---|---|----------------------------|--------------|--|------------------------|
| SEE SHEET 1<br>EC NO: UCP2015-5493<br>DRWN: SVANG01 2015/06/25<br>CHKD: TIBARRA 2015/08/04<br>APPR: SMILLER 2015/08/07 | QUALITY SYMBOLS   | GENERAL TOLERANCES (UNLESS SPECIFIED)   | DIMENSION STYLE            | SCALE        | DESIGN UNITS   | THIRD ANGLE PROJECTION |
|  | $\nabla F = 0$<br>$\nabla E = 0$<br>$\nabla F = 0$                    | mm INCH<br>4 PLACES ± --- ± ---<br>3 PLACES ± --- ± .010<br>2 PLACES ± 0.25 ± .015<br>1 PLACE ± 0.38 ± ---<br>0 PLACE ± ± | MM/IN                      | 3:1          | INCH   | THIRD ANGLE PROJECTION |
|  | DRAWN BY: TGREGORI<br>CHECKED BY: JCOMERC I<br>APPROVED BY: JCOMERC I | DATE: 2005/05/17<br>DATE: 2005/05/17<br>DATE: 2010/03/05  | MATERIAL NO.               | DOCUMENT NO. | TITLE<br>SEARAY RECEPTACLE ASSEMBLY<br>1.27/.050 CENTERS<br><b>molex</b> |                        |
|  | SEE TABLES SHT 4<br>SIZE B  | ANGULAR ± --- °<br>DRAFT WHERE APPLICABLE<br>MUST REMAIN WITHIN DIMENSIONS  | SEE TABLES SHT 4<br>SIZE B | SD-45971-001 | SHEET NO.<br>2 OF 4  |                        |

10 9 8 7 6 5 4 3 2 1

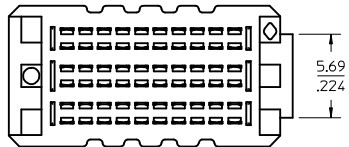
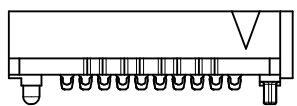
6 ROW  
10 POSITION



RECOMMENDED PCB LAYOUT: COMPONENT SIDE  
SOLDER SCREEN APERTURE SIZE: .089/.035 DIAMETER  
PCB THICKNESS: NA



6 ROW  
10 POSITION  
SHOWN



|   |                    |                        |                                       |      |  |            |              |  |                        |  |  |
|---|--------------------|------------------------|---------------------------------------|------|--|------------|--------------|--|------------------------|--|--|
| SEE SHEET 1<br>EC NO: UCP2015-5493<br>DRWN: SWANG01 2015/06/25<br>CHKD: TIBARRA 2015/08/04<br>APPR: SMILLER 2015/08/07<br>X | DESCRIPTION<br>REV | QUALITY SYMBOLS        | GENERAL TOLERANCES (UNLESS SPECIFIED) |      | DIMENSION STYLE  |            | SCALE        | DESIGN UNITS   | THIRD ANGLE PROJECTION |  |  |
|   |                    | ▽=0                    | mm                                    | INCH | MM/IN  | 3:1        | INCH         | TITLE<br>SEARAY RECEPTACLE ASSEMBLY<br>1.27/.050 CENTERS<br><b>molex</b> |                        |  |  |
|   |                    | ▽=0                    | 4 PLACES ± --- ± ---                  |      |  | DRAWN BY   | DATE         |  |                        |  |  |
|   |                    | ▽=0                    | 3 PLACES ± --- ± .010                 |      |  | TGREGORI   | 2005/05/17   |  |                        |  |  |
|   |                    | 2 PLACES ± 0.25 ± .015 |                                       |      | CHECKED BY   | DATE       |              |  |                        |  |  |
|   |                    | 1 PLACE ± 0.38 ± ---   |                                       |      | JCOMERC I  | 2005/05/17 |              |  |                        |  |  |
|   |                    | 0 PLACE ± ±            |                                       |      | APPROVED BY  | DATE       |              |  |                        |  |  |
|   |                    |                        |                                       |      | JCOMERC I  | 2010/03/05 |              |  |                        |  |  |
|   |                    |                        |                                       |      | MATERIAL NO.   |            | DOCUMENT NO. |  | SHEET NO.              |  |  |
|   |                    |                        |                                       |      | SEE TABLES SHT 4   |            | SD-45971-001 |  | 3 OF 4                 |  |  |
|   |                    |                        |                                       |      | THIS DRAWING CONTAINS INFORMATION THAT IS PROPRIETARY TO MOLEX<br>INCORPORATED AND SHOULD NOT BE USED WITHOUT WRITTEN PERMISSION |            |              |  |                        |  |  |

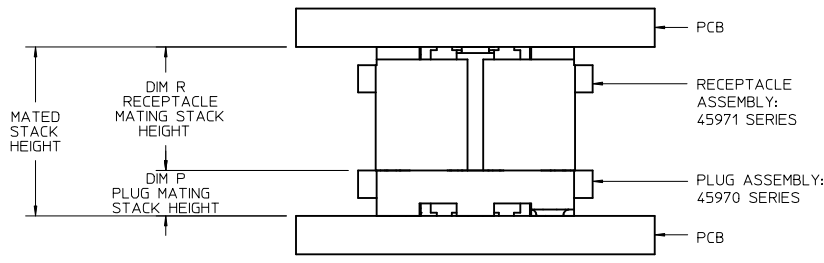
9 8 7 6 5 4 3 2 1

ROWS: 6 DIMENSION C = 9.60/.378 DIMENSION D = 5.69/.224

| DIM R: (REF) |             | 5.0 MM      | 6.0 MM      | 6.5 MM      | 7.5 MM      | 8.0 MM      |
|--------------|-------------|-------------|-------------|-------------|-------------|-------------|
| DIM H:       |             | 5.05/.199   | 6.04/.238   | 6.66/.258   | 7.54/.297   | 8.05/.317   |
| POSITION     | DIM M       | MATERIAL NO | MATERIAL NO | MATERIAL NO | MATERIAL NO | MATERIAL NO |
| 10           | 19.35/0.762 | 45971-1165  | 45971-1265  | 45971-1365  | 45971-1465  | 45971-1565  |
| 20           | 32.05/1.262 | 45971-2165  | 45971-2265  | 45971-2365  | 45971-2465  | 45971-2565  |
| 30           | 44.75/1.762 | 45971-3165  | 45971-3265  | 45971-3365  | 45971-3465  | 45971-3565  |
| 40           | 57.45/2.262 | 45971-4165  | 45971-4265  | 45971-4365  | 45971-4465  | 45971-4565  |
| 50           | 70.15/2.762 | 45971-5165  | 45971-5265  | 45971-5365  | 45971-5465  | 45971-5565  |
| 15           | 25.70/1.012 | 45971-6165  | 45971-6265  | 45971-6365  | 45971-6465  | 45971-6565  |
| 25           | 38.40/1.512 | 45971-7165  | 45971-7265  | 45971-7365  | 45971-7465  | 45971-7565  |
| 35           | 51.10/2.012 | 45971-8165  | 45971-8265  | 45971-8365  | 45971-8465  | 45971-8565  |
| 45           | 63.80/2.512 | 45971-9165  | 45971-9265  | 45971-9365  | 45971-9465  | 45971-9565  |

ROWS: 10 DIMENSION C = 14.68/.578 DIMENSION D = 6.24/.246

| DIM R: (REF) |             | 5.0 MM      | 6.0 MM      | 6.5 MM      | 7.5 MM      | 8.0 MM      |
|--------------|-------------|-------------|-------------|-------------|-------------|-------------|
| DIM H:       |             | 5.05/.199   | 6.04/.238   | 6.66/.258   | 7.54/.297   | 8.05/.317   |
| POSITION     | DIM M       | MATERIAL NO | MATERIAL NO | MATERIAL NO | MATERIAL NO | MATERIAL NO |
| 10           | 19.88/0.784 | 45971-1115  | 45971-1215  | 45971-1315  | 45971-1415  | 45971-1515  |
| 20           | 32.58/1.284 | 45971-2115  | 45971-2215  | 45971-2315  | 45971-2415  | 45971-2515  |
| 30           | 45.28/1.784 | 45971-3115  | 45971-3215  | 45971-3315  | 45971-3415  | 45971-3515  |
| 40           | 57.98/2.284 | 45971-4115  | 45971-4215  | 45971-4315  | 45971-4415  | 45971-4515  |
| 50           | 70.68/2.784 | 45971-5115  | 45971-5215  | 45971-5315  | 45971-5415  | 45971-5515  |
| 15           | 26.23/1.034 | 45971-6115  | 45971-6215  | 45971-6315  | 45971-6415  | 45971-6515  |
| 25           | 38.93/1.534 | 45971-7115  | 45971-7215  | 45971-7315  | 45971-7415  | 45971-7515  |
| 35           | 51.63/2.034 | 45971-8115  | 45971-8215  | 45971-8315  | 45971-8415  | 45971-8515  |
| 45           | 64.33/2.534 | 45971-9115  | 45971-9215  | 45971-9315  | 45971-9415  | 45971-9515  |



STACK HEIGHTS GIVEN IN MILLIMETERS (MM) FOR REFERENCE ONLY

ROWS: 8 DIMENSION C = 12.14/.478 DIMENSION D = 3.70/.146

| DIM R: (REF) |             | 5.0 MM      | 6.0 MM      | 6.5 MM      | 7.5 MM      | 8.0 MM      |
|--------------|-------------|-------------|-------------|-------------|-------------|-------------|
| DIM H:       |             | 5.05/.199   | 6.04/.238   | 6.66/.258   | 7.54/.297   | 8.05/.317   |
| POSITION     | DIM M       | MATERIAL NO | MATERIAL NO | MATERIAL NO | MATERIAL NO | MATERIAL NO |
| 10           | 19.88/0.784 | 45971-1185  | 45971-1285  | 45971-1385  | 45971-1485  | 45971-1585  |
| 20           | 32.58/1.284 | 45971-2185  | 45971-2285  | 45971-2385  | 45971-2485  | 45971-2585  |
| 30           | 45.28/1.784 | 45971-3185  | 45971-3285  | 45971-3385  | 45971-3485  | 45971-3585  |
| 40           | 57.98/2.284 | 45971-4185  | 45971-4285  | 45971-4385  | 45971-4485  | 45971-4585  |
| 50           | 70.68/2.784 | 45971-5185  | 45971-5285  | 45971-5385  | 45971-5485  | 45971-5585  |
| 15           | 26.23/1.034 | 45971-6185  | 45971-6285  | 45971-6385  | 45971-6485  | 45971-6585  |
| 25           | 38.93/1.534 | 45971-7185  | 45971-7285  | 45971-7385  | 45971-7485  | 45971-7585  |
| 35           | 51.63/2.034 | 45971-8185  | 45971-8285  | 45971-8385  | 45971-8485  | 45971-8585  |
| 45           | 64.33/2.534 | 45971-9185  | 45971-9285  | 45971-9385  | 45971-9485  | 45971-9585  |

MATING STACK HEIGHTS (DIMENSION R) GIVEN IN MILLIMETERS (MM) FOR REFERENCE ONLY

| DIM P<br>PLUG STACK HEIGHT | DIM R<br>RECEPTACLE STACK HEIGHT |      |      |      |      |     |
|----------------------------|----------------------------------|------|------|------|------|-----|
|                            | MM                               | 5.0  | 6.0  | 6.5  | 7.5  | 8.0 |
| 2.0                        | 7.0                              | 8.0  | 8.5  | 9.5  | 10.0 |     |
| 3.0                        | 8.0                              | 9.0  | 9.5  | 10.5 | 11.0 |     |
| 3.5                        | 8.5                              | 9.5  | 10.0 | 11.0 | 11.5 |     |
| 2.5                        | 7.5                              | 8.5  | 9.0  | 10.0 | 10.5 |     |
| 4.5                        | 9.5                              | 10.5 | 11.0 | 12.0 | 12.5 |     |
| 5.0                        | 10.0                             | 11.0 | 11.5 | 12.5 | 13.0 |     |
| 7.0                        | 12.0                             | 13.0 | 13.5 | 14.5 | 15.0 |     |

MATED STACK HEIGHTS GIVEN IN MILLIMETERS (MM) FOR REFERENCE ONLY

|  |                                      |                                       |                       |                          |                    |  |                      |                              |                     |
|--|--------------------------------------|---------------------------------------|-----------------------|--------------------------|--------------------|--|----------------------|------------------------------|---------------------|
| SEE SHEET 1<br>EC NO: UCP2015-5493<br>DRWN: SVANG01 2015/06/25<br>CHKD: TIBARRA 2015/08/04<br>APPR: SMILLER 2015/08/07 | QUALITY SYMBOLS<br>∇=0<br>∇=0<br>∇=0 | GENERAL TOLERANCES (UNLESS SPECIFIED) |                       | DIMENSION STYLE<br>MM/IN |                    | SCALE<br>1:1   | DESIGN UNITS<br>INCH | THIRD ANGLE PROJECTION       |                     |
|  |                                      | 4 PLACES ± --- ± ---                  | 3 PLACES ± --- ± .010 | DRAWN BY<br>TREGOR I     | DATE<br>2005/05/17 | TITLE<br>SEARAY RECEPTACLE ASSEMBLY<br>1.27/.050 CENTERS<br><b>molex</b> |                      |                              |                     |
|  |                                      | 2 PLACES ± 0.25 ± .015                | 1 PLACE ± 0.38 ± ---  | CHECKED BY<br>JCOMERC I  | DATE<br>2005/05/17 |  |                      |                              |                     |
|  |                                      | 0 PLACE ± ±                           | ANGULAR ± ---°        | APPROVED BY<br>JCOMERC I | DATE<br>2010/03/05 | MATERIAL NO.<br>SEE TABLES   |                      | DOCUMENT NO.<br>SD-45971-001 | SHEET NO.<br>4 OF 4 |
| DRAFT WHERE APPLICABLE MUST REMAIN WITHIN DIMENSIONS   |                                      |                                       |                       |                          |                    |  |                      |                              |                     |

THIS DRAWING CONTAINS INFORMATION THAT IS PROPRIETARY TO MOLEX INCORPORATED AND SHOULD NOT BE USED WITHOUT WRITTEN PERMISSION