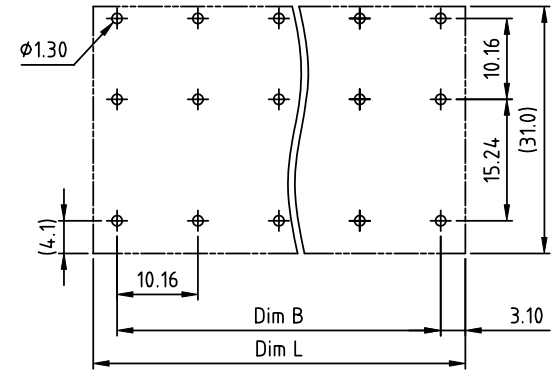
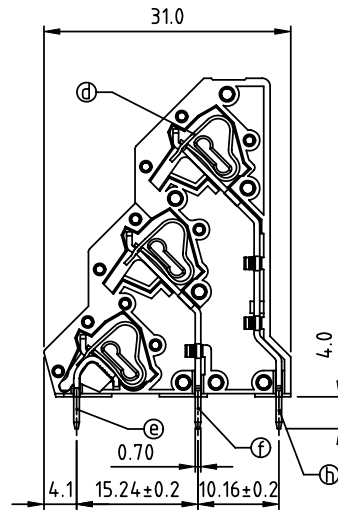
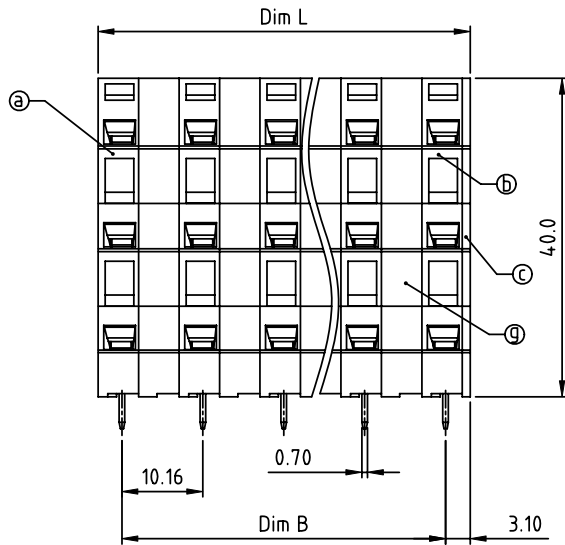


PRODUCT NUMBER	PITCH
HRxx40x000JOG	10.16mm



RECOMMENDED P.C.B LAYOUT  
TOP VIEW

Material:

- Item@ Terminal side housing: Thermoplastic ( UL94V-0 )
- ItemⒹ Terminal housing: Thermoplastic ( UL94V-0 )
- ItemⒸ Terminal cover: Thermoplastic ( UL94V-0 )
- ItemⒺ Spring clamp: Stainless steel
- ItemⒶ Short bin: Brass, Tin plated
- ItemⒻ Middle pin: Brass, Tin plated
- ItemⒽ Long pin: Brass, Tin plated
- ItemⒺ Empty body: Thermoplastic ( UL94V-0 )

Electrical:

- cULus
- Voltage rating: 300V
  - Current rating: 10A
  - Wire range:
  - Solid wire(AWG): 12-28
  - Stranded wire(AWG): 12-28
  - Wire strip length: 5-6mm
  - Withstanding Voltage: 1.6KV
  - Operating temperature: -40°C to +115°C
  - Soldering temperature: 260°C±5°C/5 Sec
  - Safety Approval: cULus

N=Number of poles  
 $Dim L = (N/3 - 1) \times 10.16 + 6.08$   
 $Dim B = (N/3 - 1) \times 10.16$

Poles	Dim L	Dim B
3x2p-3x6p	±0.15	±0.15
3x7p-3x12p	±0.30	±0.30

PART NO.: HR xx 40 x 000JOG

No. of poles	Color	RoHS compliant
0	Black (RAL9005)	(lead<4%) In copper Alloy
06	Red (RAL3001/D)	
09	Orange(RAL2011/P)	
...	4 Yellow(RAL1018/A)	
...	5 Green(RAL6018/T)	
36	3x12 poles	
	6 Blue (RAL5015/A)	
	8 Grey(RAL7004/P)	
	9 White(RAL1102)	
	C Multiple colors	

mat'l. code		surface ASME Y14.5	tolerance ASME Y14.5	projection	product family
ltr ecn no dr date		tolerances unless otherwise specified			TERMINAL BLOCK
angles		X.±0.5		MM	title
X*±1*		X.X±0.3		scale	TERMINAL BLOCK SPRING CLAMP, 4SD WIRE INLET, 3-LEVEL, PARALLEL TYPE
dr		EVIN ZHONG	053014		dwg no
enr		EVIN ZHONG	053014		sheet 1 of 1
chr		HANKE FENG	053014		size
appd		SHI JUN	053014		A4
sheet index	revision sheet	A	1		type
					CUSTOMER Drawing