

NOTES:

1. THIS INSERT IS DESIGNED FOR USE IN RAYCHEM CONNECTOR HOUSING MTC100-JH1-XXX. (SEE RAYCHEM INFORMATION DRAWING D-659-0097 AND HOUSING SPECIFICATION CONTROL DRAWINGS FOR FURTHER DETAILS).

2. PART DESCRIBED HEREON IS SUPPLIED AS SHOWN. IF CONTACTS, SEALING PLUGS, AND TOOLS ARE DESIRED, THE FOLLOWING MODIFICATION NUMBER IS TO BE ADDED TO THE PART NUMBER ON THE KIT PACKAGING LABEL ONLY:

MOD. NO.	DESCRIPTION
022	WITH CONTACTS AND SEALING PLUGS
023	WITH CONTACTS, SEALING PLUGS AND TOOL

REFERENCE RAYCHEM INFORMATION DRAWING D-659-0097 FOR CRIMP TOOLS OR ADDITIONAL CONTACTS, SEALING PLUGS OR TOOLS.

3. GROMMET DESIGNED TO SEAL ON WIRES HAVING AN INSULATION DIAMETER OF 0.030 TO 0.065.

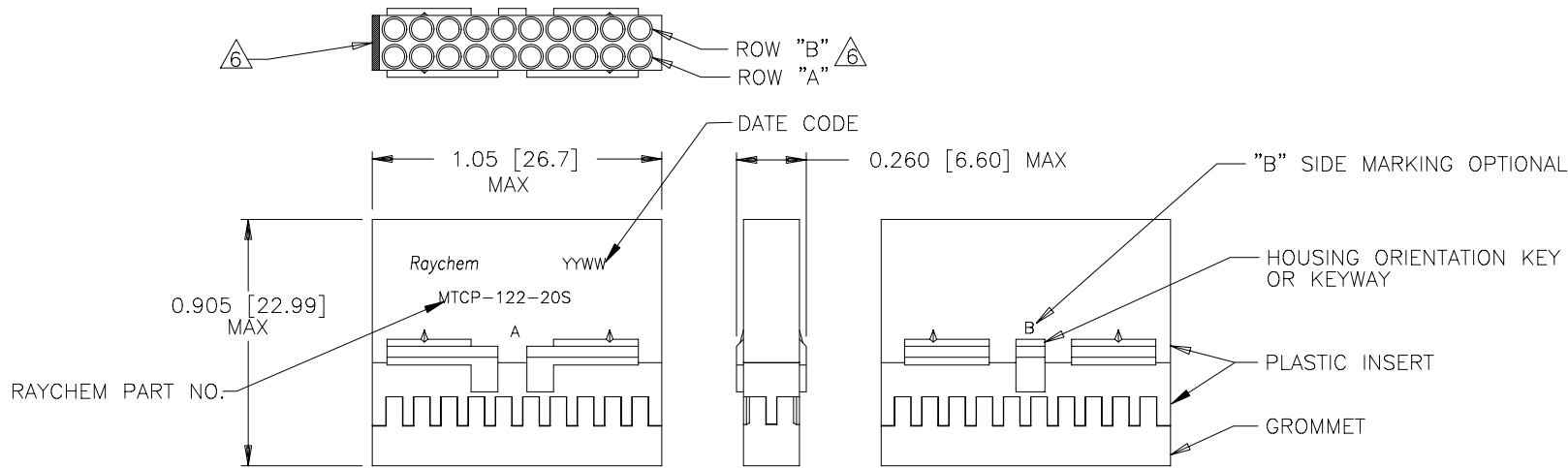
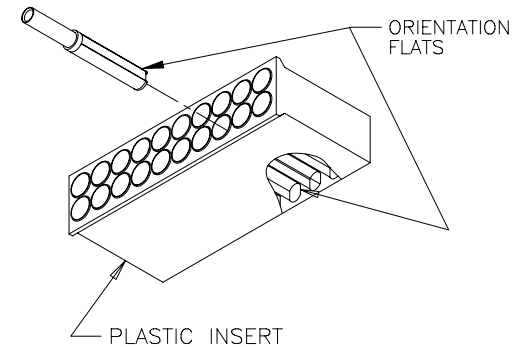
4. PERFORMANCE: THIS PRODUCT IS DESIGNED TO MEET THE APPLICABLE REQUIREMENTS OF RAYCHEM SPECIFICATION C-6115.

5. MATERIALS:

- A) PLASTIC INSERT HIGH GRADE POLYARYLENE THERMOPLASTIC
- B) GROMMET FLUOROSILICONE PER MIL-R-25988
- C) RETENTION CLIPS (20) BERYLLIUM COPPER 172 PER QQ-C-533
(INSIDE PLASTIC INSERT)

6. NUMBER ONE (1) CAVITIES ARE MARKED IN CONTRASTING COLOR. ROWS "A" AND "B" ARE AN INTEGRAL PART OF THE INSERT. ROWS "A" AND "B" ARE IDENTIFIED ON THE SIDE OF THE INSERT AS "A" AND "B". "B" SIDE MARKING OPTIONAL.

REVISIONS			
LTR	DESCRIPTION	DATE	APPROVED
C	REVISED PER ECN T-19723	95JAN04	R.H.
D	REVISED PER ECN T-20815	21MAY99	HIGGY
E	REVISED PER ECN T-22647	12AUG99	T.SEATON



SPECIFICATION CONTROL DRAWING

UNLESS OTHERWISE SPECIFIED DIMENSIONS ARE IN INCHES. METRIC DIMENSIONS ARE IN BRACKETS.	DRAWN	HAWKINGS	88 SEP 07	Raychem	
	CHECKED			TITLE	
	APPROVED	G.F.BLAIR	88 OCT 10	INSERT, SOCKET, 20 CAVITY, SIZE 22-20 REMOVABLE CONTACT 1" CONNECTOR MTC100 SERIES	
	APPROVED			SIZE	CODE IDENT. NO.
DECIMALS	.XXX ±	mm	}	DWG. NO.	REV
	.XX ±			A	06090
ANGLES	.X ±	THIRD ANGLE PROJECTION		MTC100-122-20S	
WEIGHT	0.0067 lbs [3.039 g] MAX	DO NOT SCALE THIS DRAWING		SHEET 1 OF 1	

If this document is printed it becomes uncontrolled. Check with the web for latest revision.

DWG NO. MTC100-122-20S SHEET