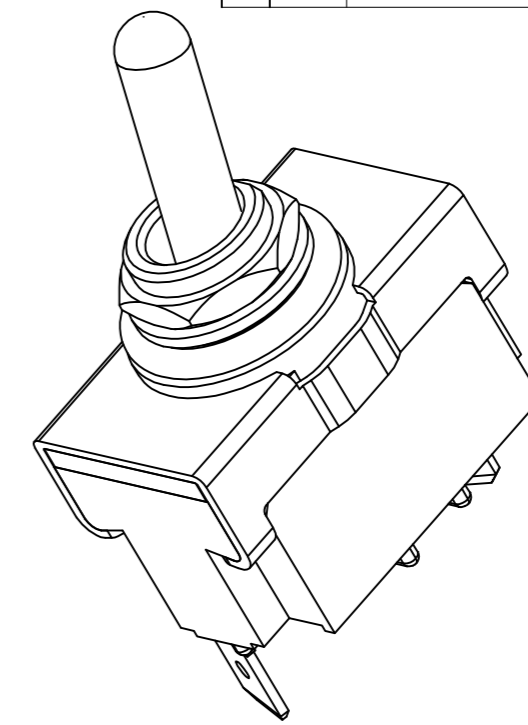
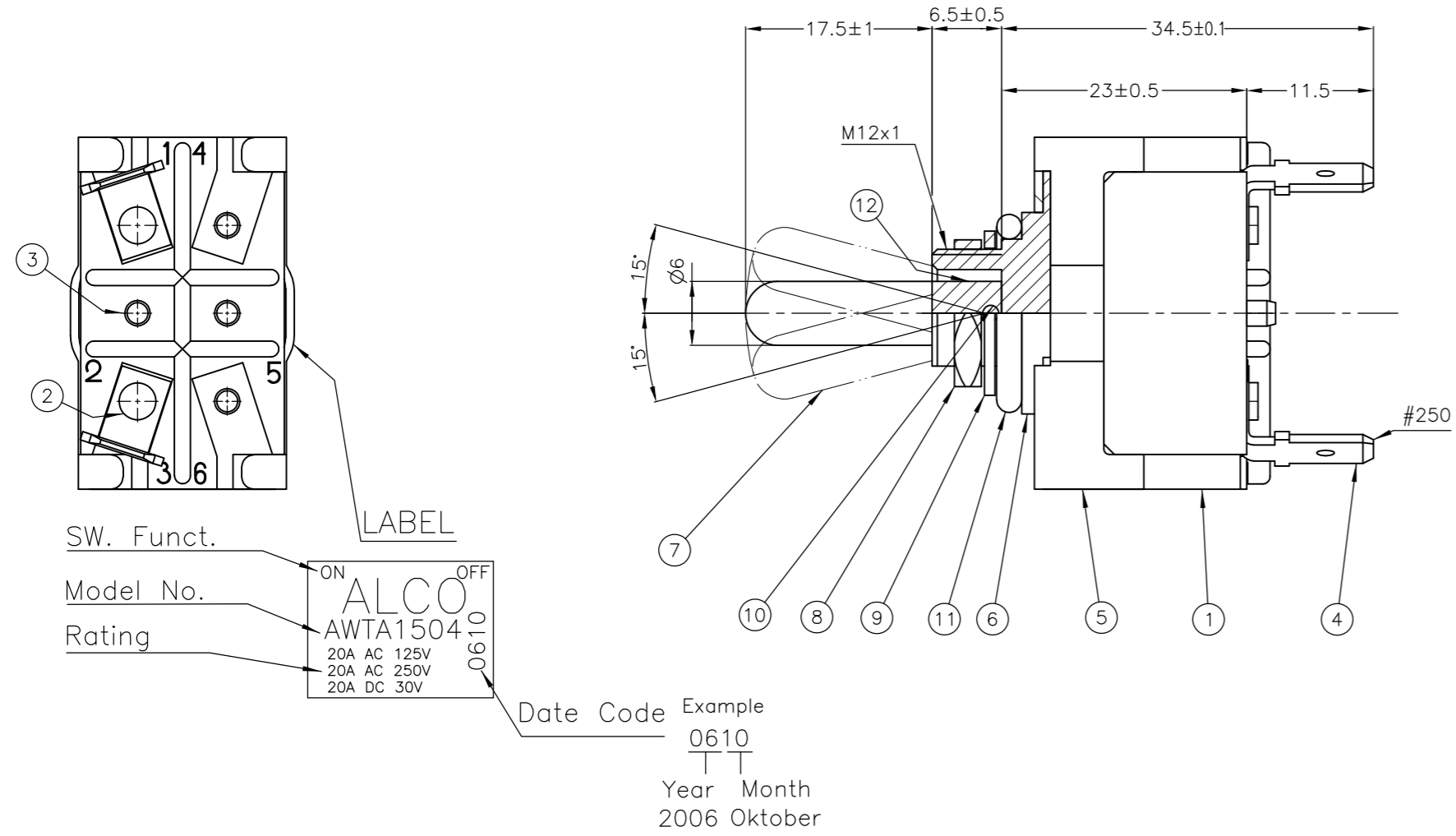
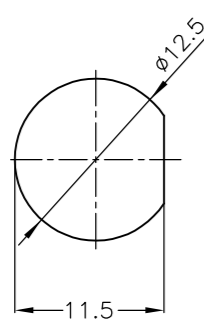


THIS DRAWING IS UNPUBLISHED. RELEASED FOR PUBLICATION
 © COPYRIGHT - By - ALL RIGHTS RESERVED.

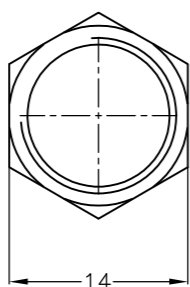
LOC		DIST		REVISIONS			
P	LTR	DESCRIPTION		DATE	DWN	APVD	
B		REVISED PER ECO-13-015855		11OCT2013	KH	RH	



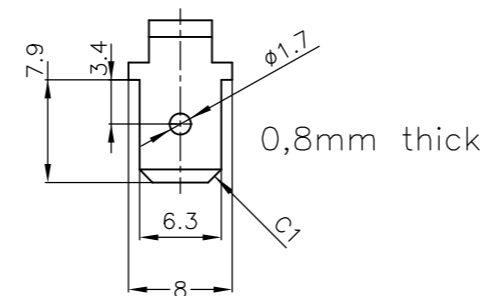
MOUNTING HOLE



NUT ⑧



TERMINAL #250

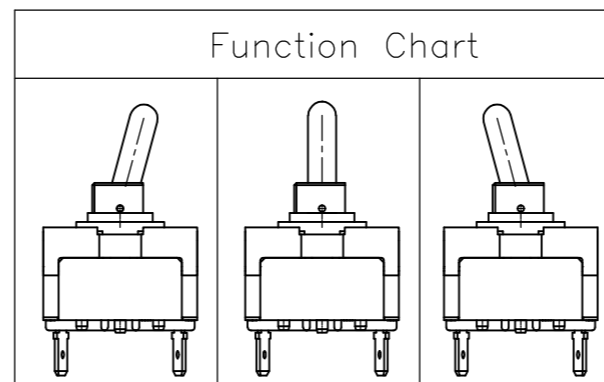


- 1 OPERATING TEMPERATURE -20°C to +70°C
- 2 OPERATING FORCE MAX 29,4N
- 3 ALL MATERIALS AND FINISHES COMPLY WITH ROHS DIRECTIVE

Specifications

Rating	Initial Contact Resistance	Insulation Resistance	Dielectric Strength	Endurance
AC 125V 20A AC 250V 20A DC 30V 20A	MAX 10 milliohms at DC 2~4V 1A	MIN 1000 M Ohms at DC 500V	AC 1,5kV/1 min (AC 1,8kV/1 sec)	Electrically 20.000 cycles at 20 cycles/min (rated load resistive) Mechanically 40.000 cycles at 20 cycles/min

Function Chart



TE PN	Part	Terminals 1 and 3		Terminals 1 and 3
7-6437630-3	AWTA1504	ON	NONE	OFF

(ON) : momentary action
 OFF : mechanical position without electrical connection
 NONE : no mechanical position

Materials Chart

Part No.	Part Name	Material/Surface	Optional Description
1	Case	PM-EG	
2	F Contact	Silver alloy + Copper	
3	Common	C2700W	
4	Terminal	C2680R	
5	Frame	SPCC	EP-Fe/Zn4/CM
6	Bushing	Zinc alloy	EP-Zn/Cu5,Ni10b
7	Actuator	C3602BD-F	Ep-Cu/Ni3
8	Nut	C3602BD	Ep-Cu/Ni3b
9	L Washer	SK-5	Ep-Fe/Ni3b
10	Shaft	SUS	
11	Rubber seal	NBR	
12	Insert molded rubber	Silcon rubber	

THIS DRAWING IS A CONTROLLED DOCUMENT.

DWN	WEIDEN	05JAN2007
CHK	-	-
APVD	-	-
PRODUCT SPEC	-	-
APPLICATION SPEC	-	-
WEIGHT	-	-
CUSTOMER DRAWING	-	-

TE TE Connectivity

POWER TOGGLE SWITCH SINGLE CONTACT
 PANEL HOUSING WATERTIGHT

SIZE: A2 CAGE CODE: 00779 DRAWING NO: C=1968502 RESTRICTED TO: -

SCALE: 1:1 SHEET: 1 of 1 REV: B