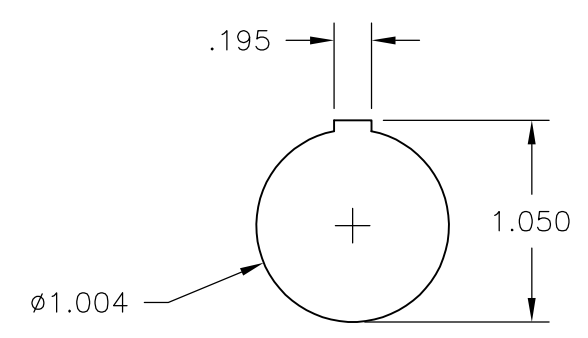
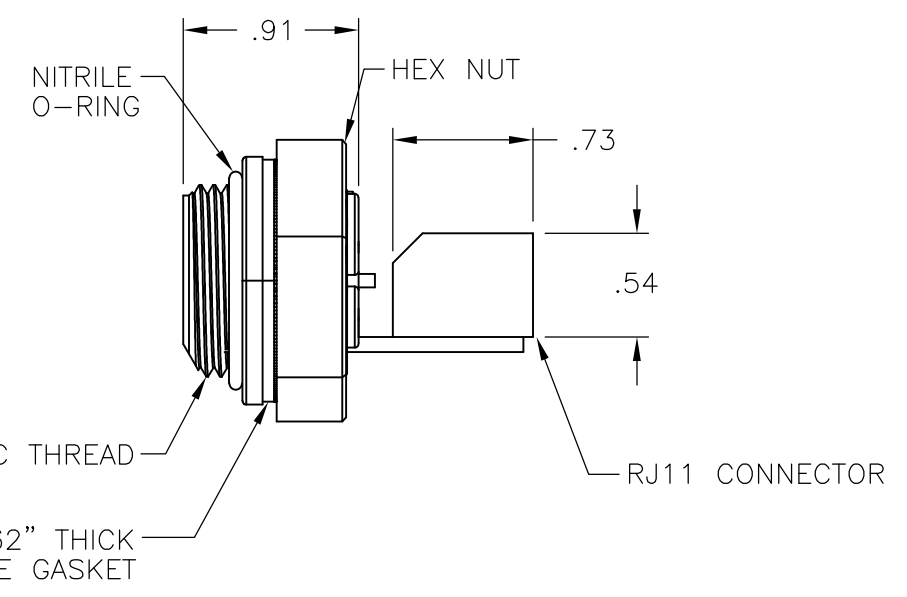
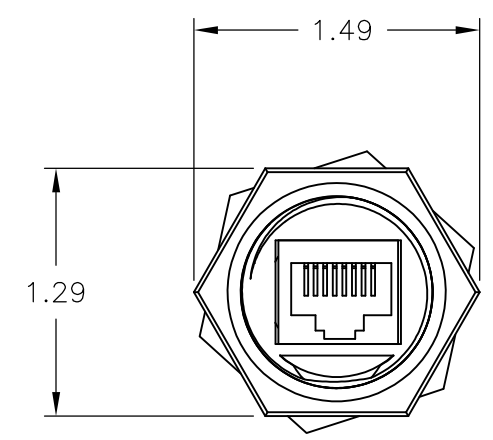
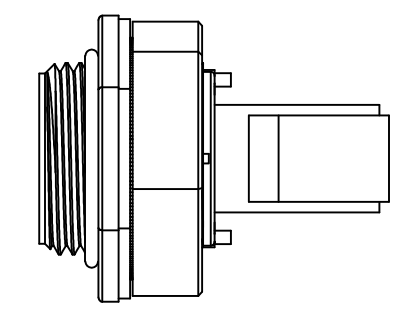


THIS DRAWING IS UNPUBLISHED. RELEASED FOR PUBLICATION - , - .
 © COPYRIGHT - By - ALL RIGHTS RESERVED.

LOC	DIST	REVISIONS					
FT	0	P	LTR	DESCRIPTION	DATE	DWN	APVD
			C1	REVISED PER ECO-11-004820	11MAR11	RK	HMR



BACKEND DIMS.
OF RECEPTACLE



	1-1546415-1
SUPERSEDED	1546415-1
	PART NO.

THIS DRAWING IS A CONTROLLED DOCUMENT.		DWN	S SCHLEGEL	09OCT2002	TE Connectivity					
DIMENSIONS: INCHES		CHK	H WAKEEM	10/9/02				NAME RJ-11 BULKHEAD PASS THROUGH WITH BACKSIDE JACK		
		APVD	H WAKEEM	10/9/02						
TOLERANCES UNLESS OTHERWISE SPECIFIED: 0 PLC ± - 1 PLC ± - 2 PLC ± .02 3 PLC ± .005 4 PLC ± - ANGLES ± 2°		MATERIAL						SIZE	CAGE CODE	DRAWING NO
MATERIAL		FINISH			A3 00779 C-1546415			-		
CUSTOMER DRAWING					SCALE	NTS	SHEET	1 OF 1	REV	C1