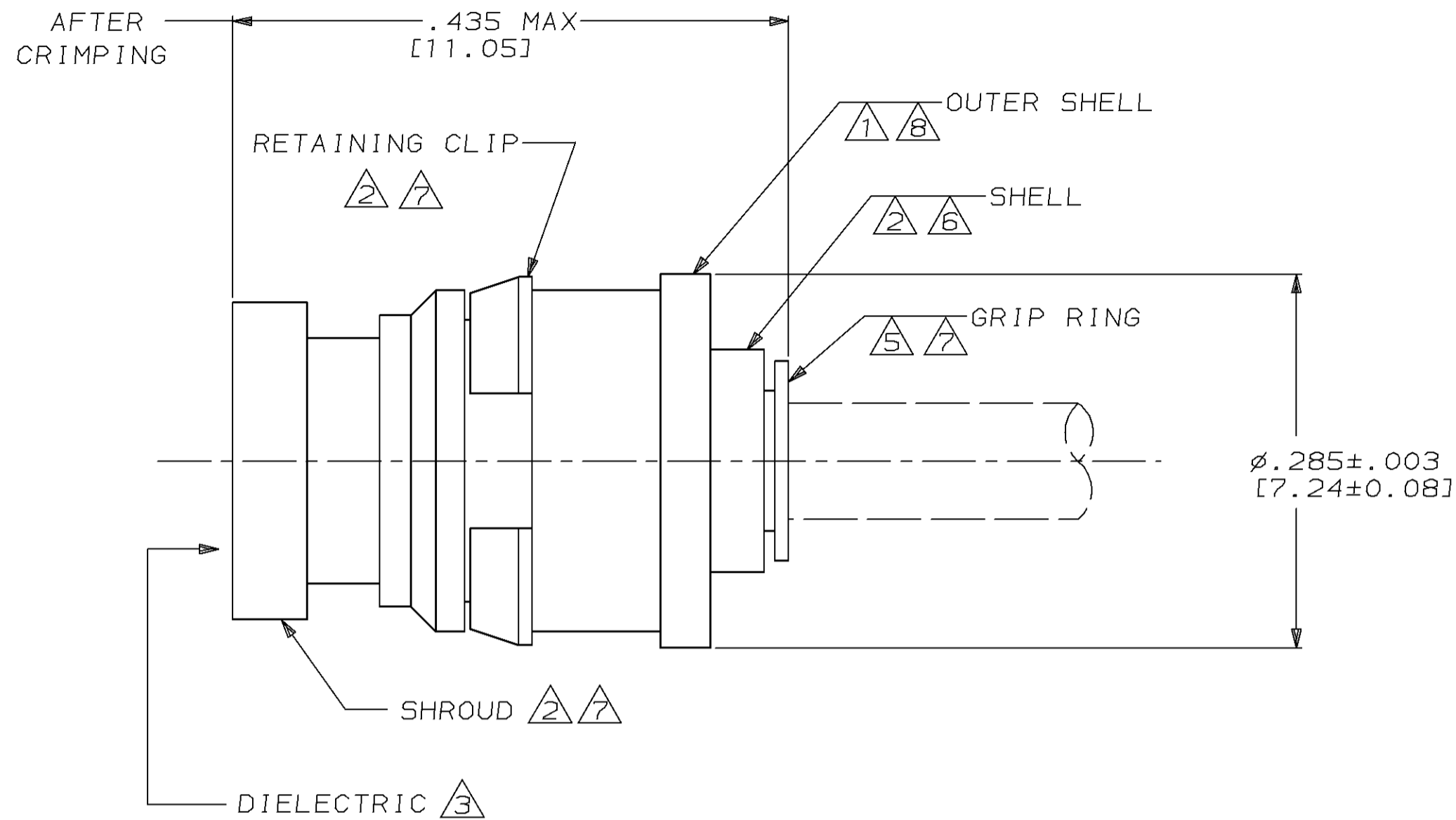
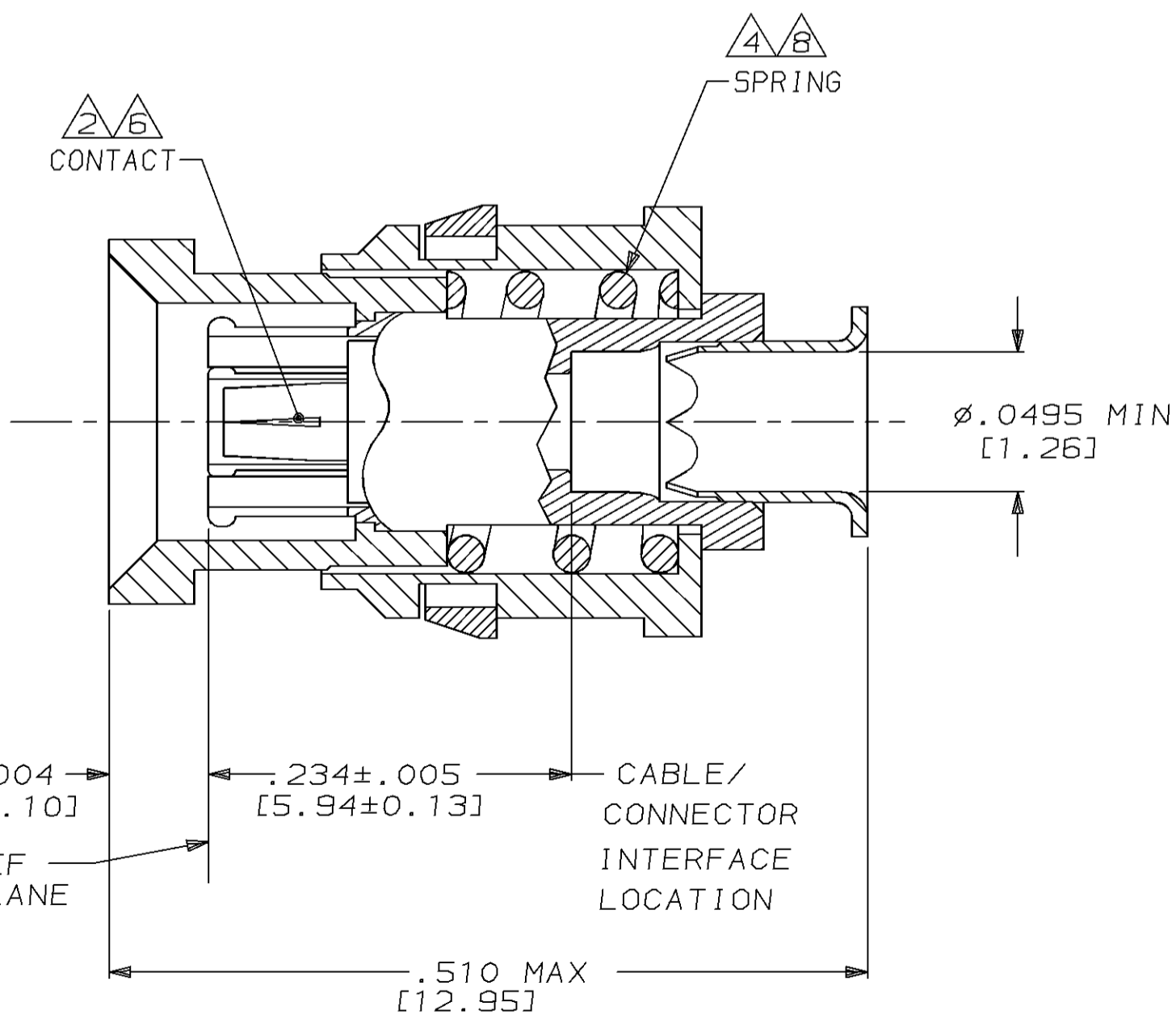
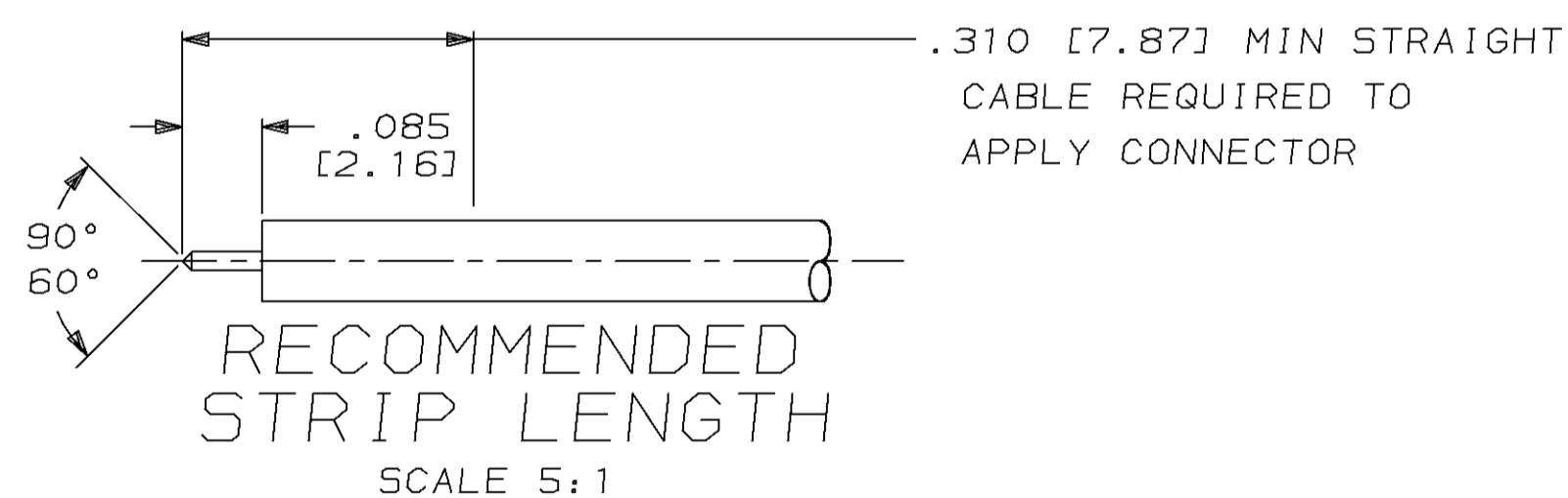
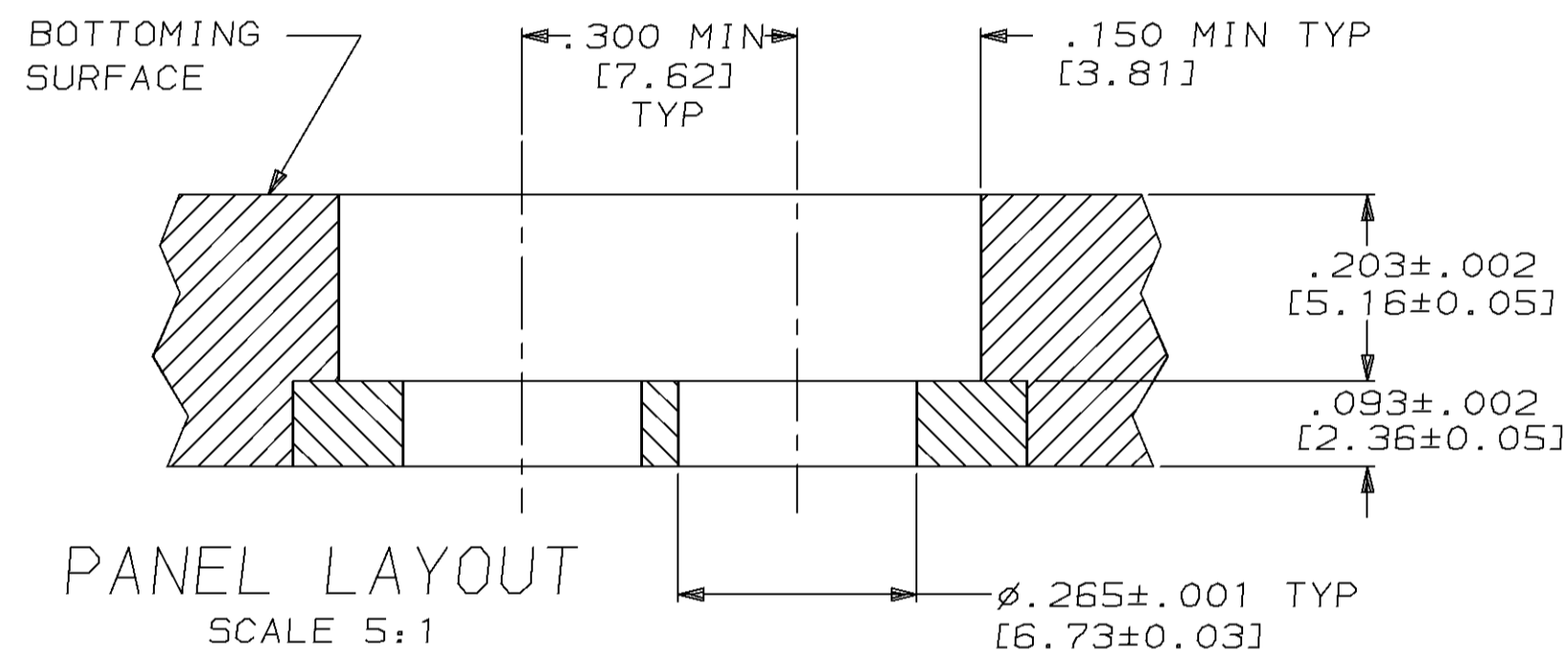


THIS DRAWING IS UNPUBLISHED. RELEASED FOR PUBLICATION
 BY AMP INCORPORATED. ALL RIGHTS RESERVED.

| PROD CODE | LOC | DIST | REVISIONS | | | |
|-------------|-----|------|--------------------------|------|--------|--|
| P | LTR | DATE | DWN | APVD | | |
| 3573 | DF | XO | B | | | |
| DESCRIPTION | | | REVISED PER 0600-4148-95 | 8-95 | CCT LL | |



- 1 STAINLESS STEEL PER QQ-S-763
- 2 BERYLLIUM COPPER PER QQ-C-530
- 3 PTFE PER MIL-P-19468
- 4 STAINLESS STEEL PER ASTM-A-313.
- 5 BRASS PER MIL-C-50
- 6 GOLD PL PER MIL-G-45204
- 7 NICKEL PL PER QQ-N-290
- 8 PASSIVATION PER QQ-P-35
- 9 FOR USE WITH .047 [1.19] SEMI-RIGID CABLE
- 10. FLOAT: .006 [0.15] RADIAL. .045 [1.14] AXIAL.



413025

413025-1
PART NO.

| | | | |
|--|---|---|--|
| <small>THIS DRAWING IS A CONTROLLED DOCUMENT FOR AMP INCORPORATED. IT IS SUBJECT TO CHANGE AND THE CONTROLLING ENGINEERING ORGANIZATION SHOULD BE CONTACTED FOR THE LATEST REVISION.</small> | | DWN C.C. THOMAS 2-8-95 CHK L.L.E 2-17-95 APVD L.L.E 2-17-95 | AMP AMP Incorporated Harrisburg, PA 17105-3608 |
| DIMENSIONS: INCHES [mm] | TOLERANCES UNLESS OTHERWISE SPECIFIED: 0 PLC ± 1 PLC ± 2 PLC ± 3 PLC ± 4 PLC ± ANGLES ± FINISH SEE TABLE | PRODUCT SPEC - APPLICATION SPEC - WEIGHT - | NAME PLUG, FLOATING, BLINDMATE, 2.8mm |
| MATERIAL SEE TABLE | CUSTOMER DRAWING | SIZE A2 CAGE CODE 00779 DRAWING NO. C-413025 | SCALE 10:1 SHEET 1 OF 1 REV B |