



## Features

- 400 VDC rated
- Shrink tubing protected winding
- Fixed lead spacing
- RoHS compliant\*

## Applications

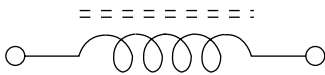
- TI UCC28880 converter (Use with Bourns® Model RLB1112V4-222J)
- DC/DC converters
- Power supplies

# RLB1112V4 Series 400 Volt Radial Inductor

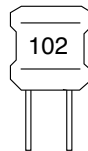
### Electrical Specifications @ 25 °C

Bourns Part Number	Inductance @ 1 kHz / 1 V		Q Min. @ 252 kHz	SRF Min. (MHz)	DCR Typ. (Ω)	DCR Max. (Ω)	I rms Typ. (A)	I sat Typ. (A)
	L (mH)	Tol. (%)						
RLB1112V4-102J	1.0	± 5	20	1.10	1.15	1.40	0.51	0.50
RLB1112V4-152J	1.5	± 5	20	0.82	1.65	2.40	0.43	0.38
RLB1112V4-222J	2.2	± 5	20	0.76	2.75	3.20	0.35	0.33
RLB1112V4-332J	3.3	± 5	30	0.64	4.15	4.90	0.28	0.26
RLB1112V4-472J	4.7	± 5	30	0.54	5.75	7.60	0.24	0.21

### Electrical Schematic



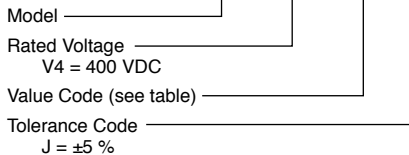
### Typical Part Marking



Inductance Code:  
 - First two digits are significant  
 - Third digit represents the number of zeroes to follow

### How to Order

**RLB1112 V4 - 102 J**



**Asia-Pacific:** Tel: +886-2 2562-4117 • Email: asiacus@bourns.com  
**EMEA:** Tel: +36 88 520 390 • Email: eurocus@bourns.com  
**The Americas:** Tel: +1-951 781-5500 • Email: americus@bourns.com  
[www.bourns.com](http://www.bourns.com)

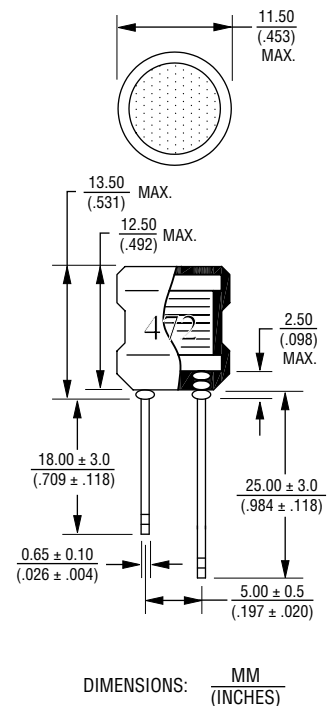
### General Specifications

Operating Temperature ..... -40 °C to +125 °C  
 (Temperature rise included)  
 Storage Temperature ..... -40 °C to +125 °C  
 Temperature Rise ..... 40 °C at rated I rms  
 Rated Current ..... Inductance drops 10 % at I sat  
 Rated Voltage ..... 400 VDC  
 (Tested @ 1 μs on Impulse Surge Voltage Tester Model 7720)

### Materials

Core ..... Ferrite  
 Wire ..... Enameled copper  
 Terminal Finish ..... Cu/Ag/Sn  
 Tubing ..... Shrink tube 125 °C, 600 V  
 Packaging ..... 500 pcs. per 13 " reel

### Product Dimensions



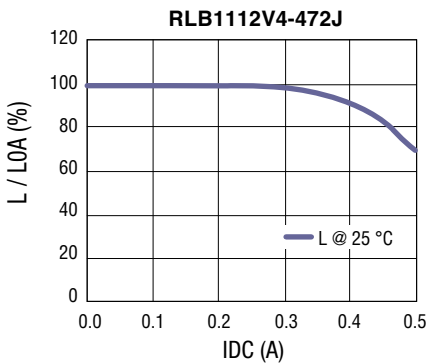
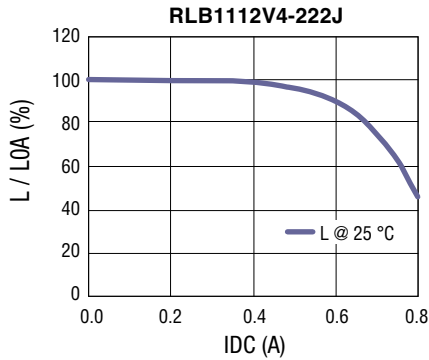
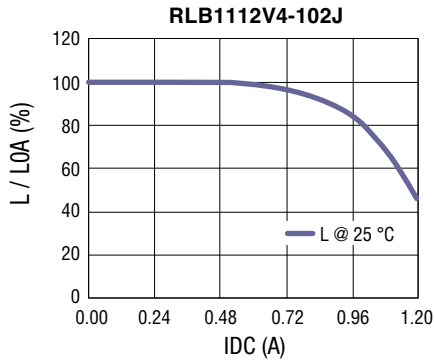
\* RoHS Directive 2002/95/EC Jan. 27, 2003 including annex and RoHS Recast 2011/65/EU June 8, 2011. Specifications are subject to change without notice.

The device characteristics and parameters in this data sheet can and do vary in different applications and actual device performance may vary over time. Users should verify actual device performance in their specific applications.

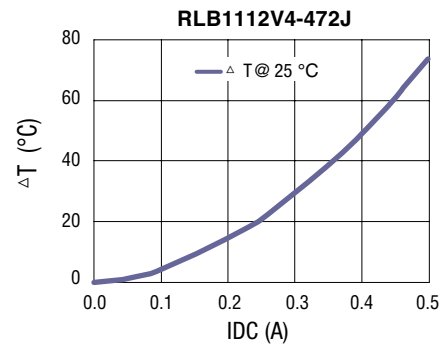
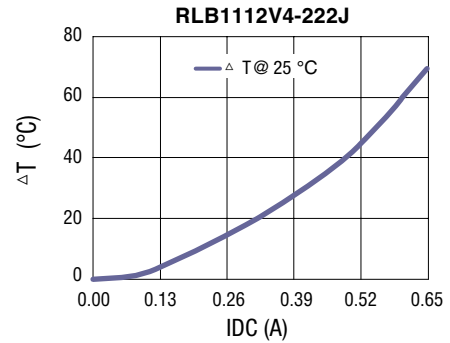
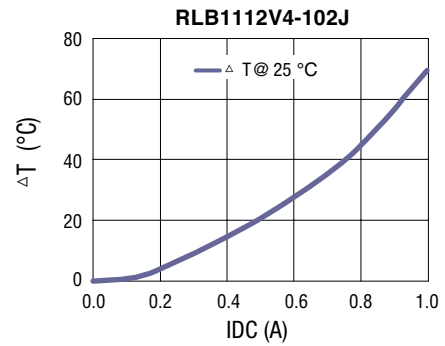
# RLB112V4 Series 400 Volt Radial Inductor



## Inductance vs. IDC



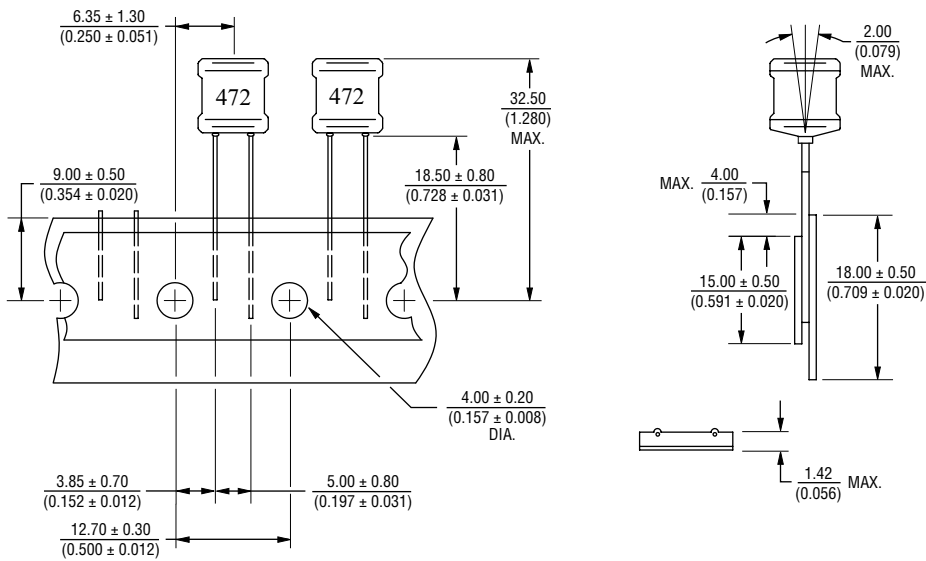
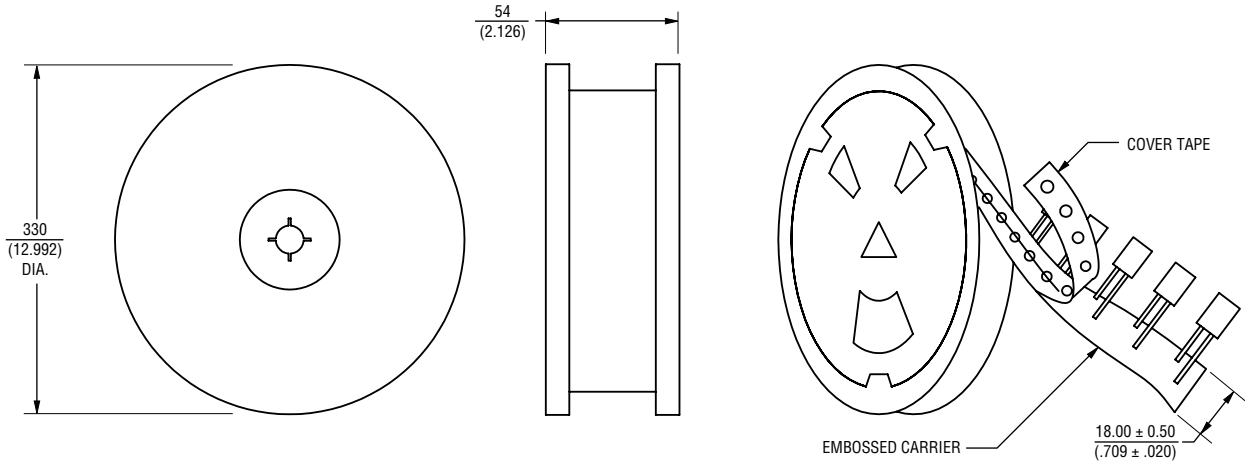
## Temperature Rise vs. IDC



# RLB112V4 Series 400 Volt Radial Inductor

**BOURNS®**

## Packaging Specifications



USER DIRECTION OF FEED

500 PCS. PER REEL

DIMENSIONS:  $\frac{\text{MM}}{\text{(INCHES)}}$