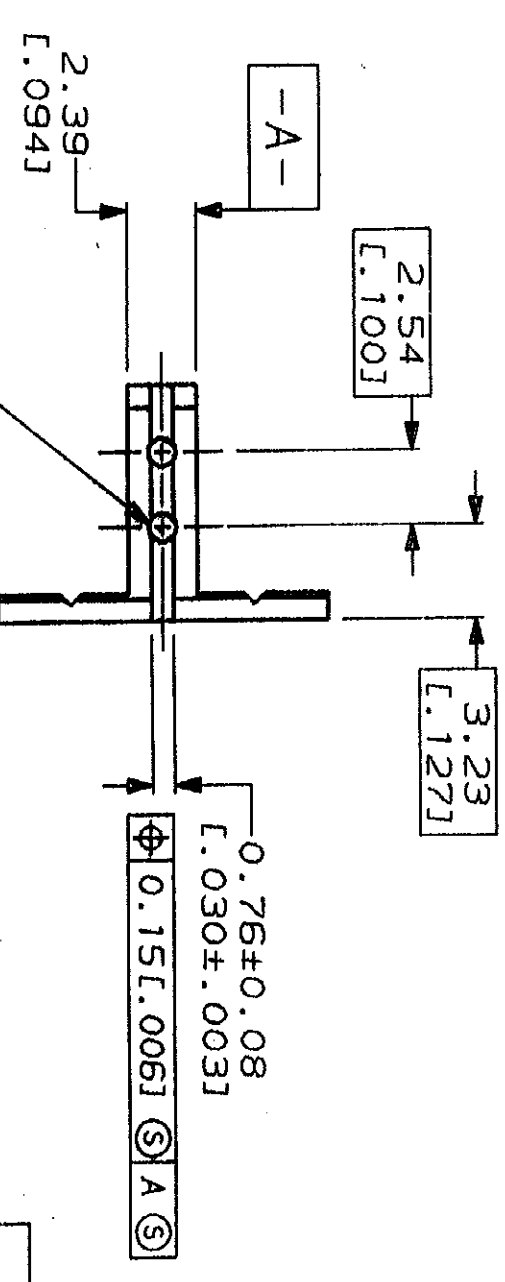
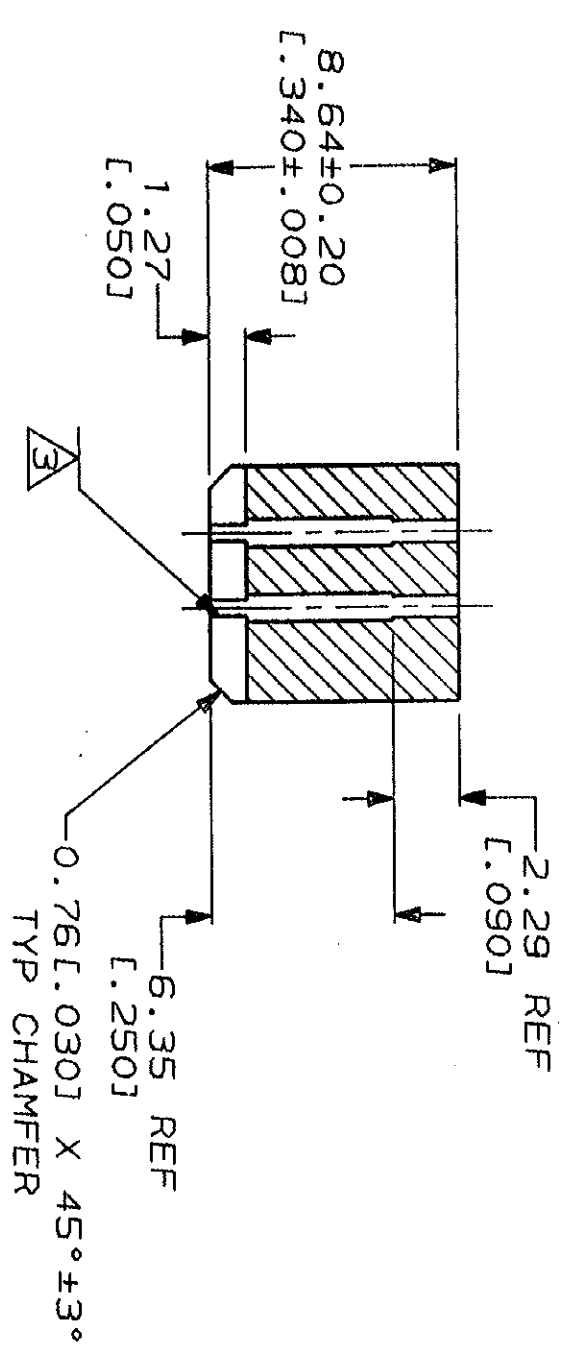
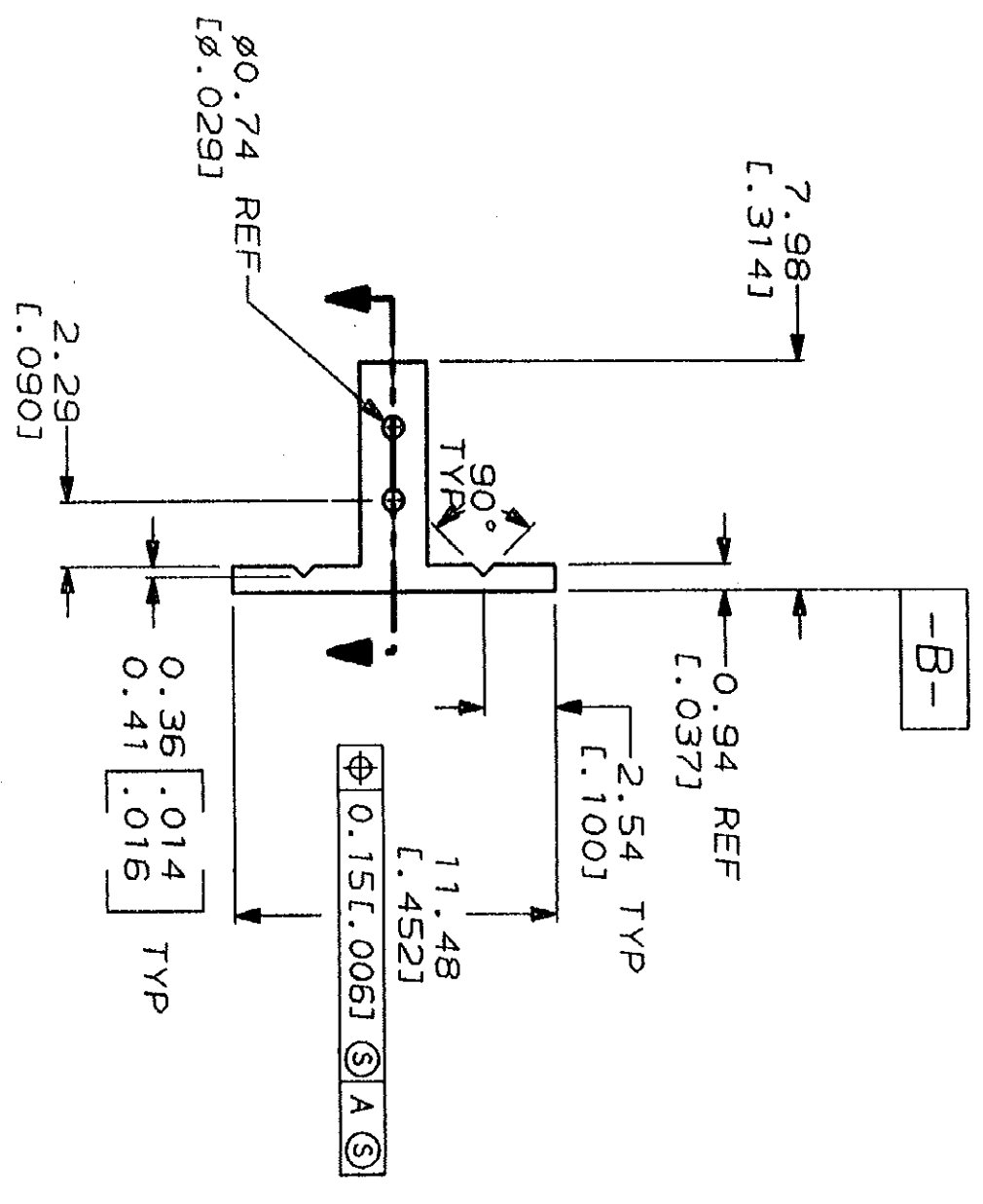


LOC	DIST	REV	DATE	APPD
AD	39		KIH	02/91

REV	DESCRIPTION	DATE	APPD
E	REV/REDRAW PER AD-5308		



Ø0.76 [Ø0.31] X 6.35 [L.250] DP  
 REMAINDER Ø0.74 ± 0.03 [Ø.029 ± .001]  
 THRU TYP  
 [Ø0.15 [L.006]] [A] [B]

△ POLYESTER, COLOR - BLACK

**METRIC**

DO NOT SCALE PRINT. UNLESS SPECIFIED DIMENSIONS IN mm (INCHES) TOLERANCES ON: 2 PLG DEC ± 0.13(.005) 3 PLG DEC ± . ANGLES		DR 02/13/91 KATE HELM	NAME <b>AMP</b> AMP Incorporated Harrisburg, PA 17105-3508
MATERIAL HOUSING: △		APPD <i>A. Helm</i> 2-20-91	PRODUCT SPEC
FINISH		APPD <i>A. Helm</i> 2-20-91	SIZE CAGE CODE DRAWING NO C 00779 87743
WEIGHT		PRODUCT SPEC	SCALE 4:1 SHEET 1 OF 1

PART NUMBER  
87743-1

PART NO

BARRIER, INSERT, KEYED

CUSTOMER DRAWING