

# CGA3E2X8R1H332K080AA

TDK Item Description : CGA3E2X8R1H332KT\*\*\*\*



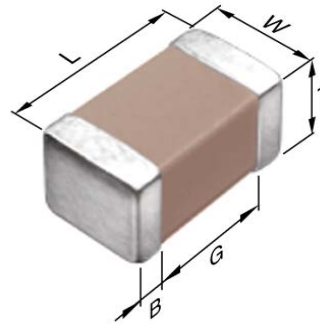
Equivalent C1608X8R1H332K for Automotive

## Application & Main Feature

Automotive Grade ( High Temperature Application )

## Series

CGA3(1608) [EIA CC0603]



## Dimensions

L 1.60mm +/-0.1mm  
 W 0.80mm +/-0.1mm  
 T 0.80mm +/-0.1mm  
 B 0.20mm Min.  
 G 0.30mm Min.

## Temperature Characteristic

X8R (-55 to 150 degC +/-15%)

## Rated Voltage

1H (50Vdc)

## Capacitance

3.3nF

## Capacitance Tolerance

K (+/-10%)

## Dissipation Factor

3% Max.

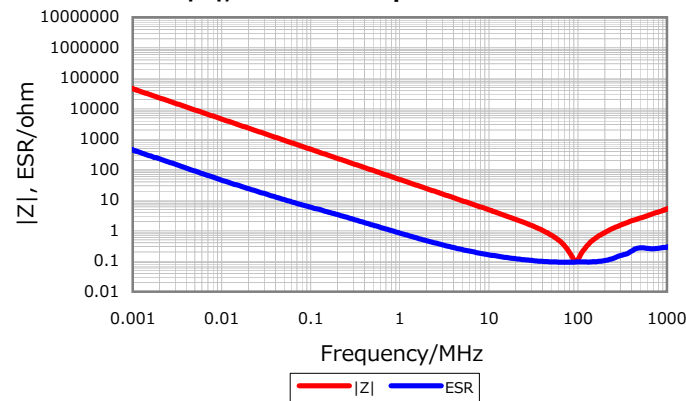
## Insulation Resistance

10Gohm Min.

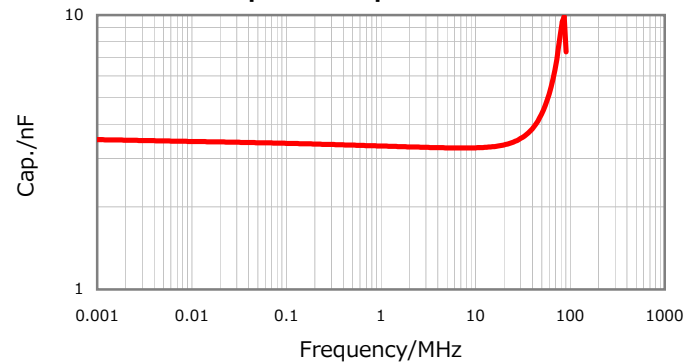
## AEC-Q200

Yes

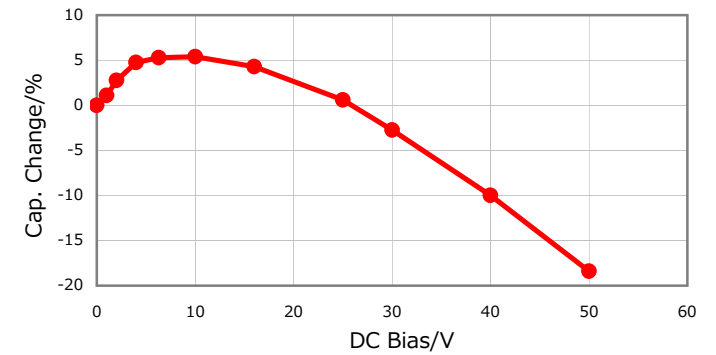
## |Z|, ESR vs. Freq. Characteristics



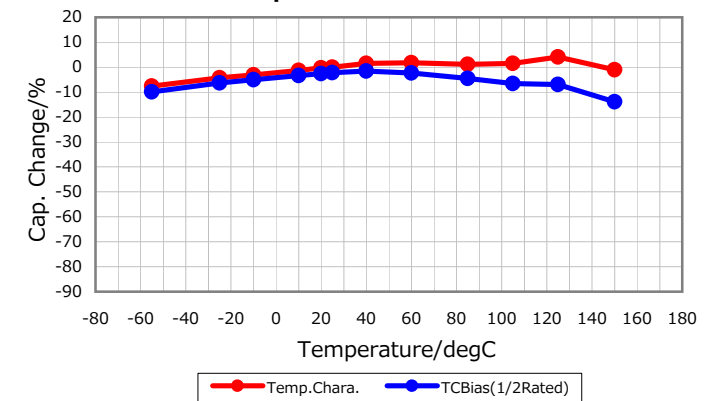
## Cap. vs. Freq. Characteristic



## DC Bias Characteristic



## Temperature Characteristics



## Ripple Temperature Rise Characteristics

