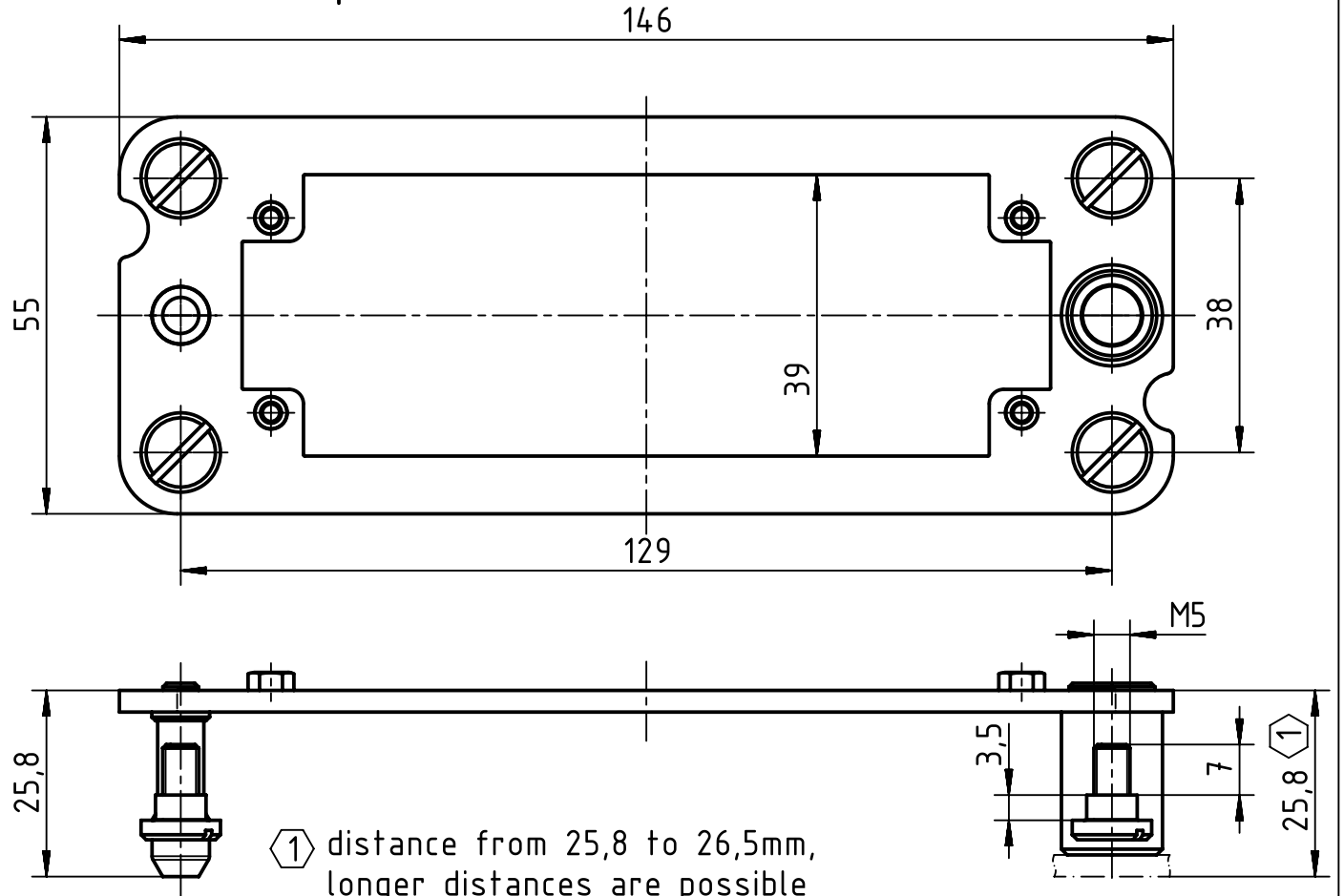
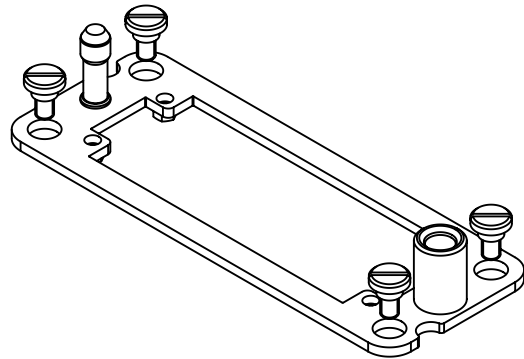
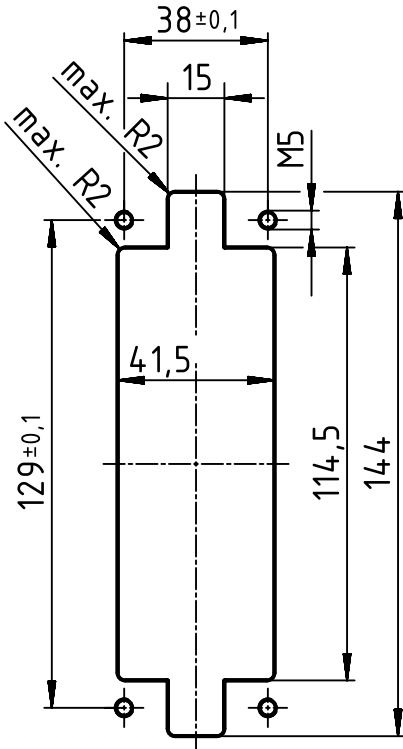


panel cut out (1:2)



① distance from 25,8 to 26,5mm, longer distances are possible depending on the specific connector insert
kind of delivery: piece parts

	All Dimensions in mm Original Size DIN A4		Scale 1:1	Free size tol.		Ref.
						Sub.
	All rights reserved		Created by FINKEV	Inspected by BERGHORN	Standardisation TIEMANNA	Date 2016-03-21
	Department EL PD - DE					State Final Release
HARTING Electric GmbH & Co. KG D-32339 Espelkamp			Title Han 24B Docking Frame			Doc-Key / ECM-Nr. 100129393/UGD/005/F 500000102021
			Type TB	Number 09 30 024 1701		Rev. F
					Page 1/1	