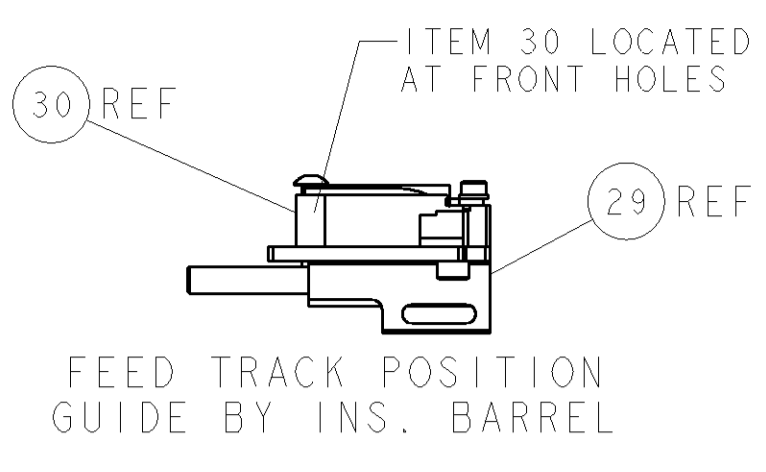
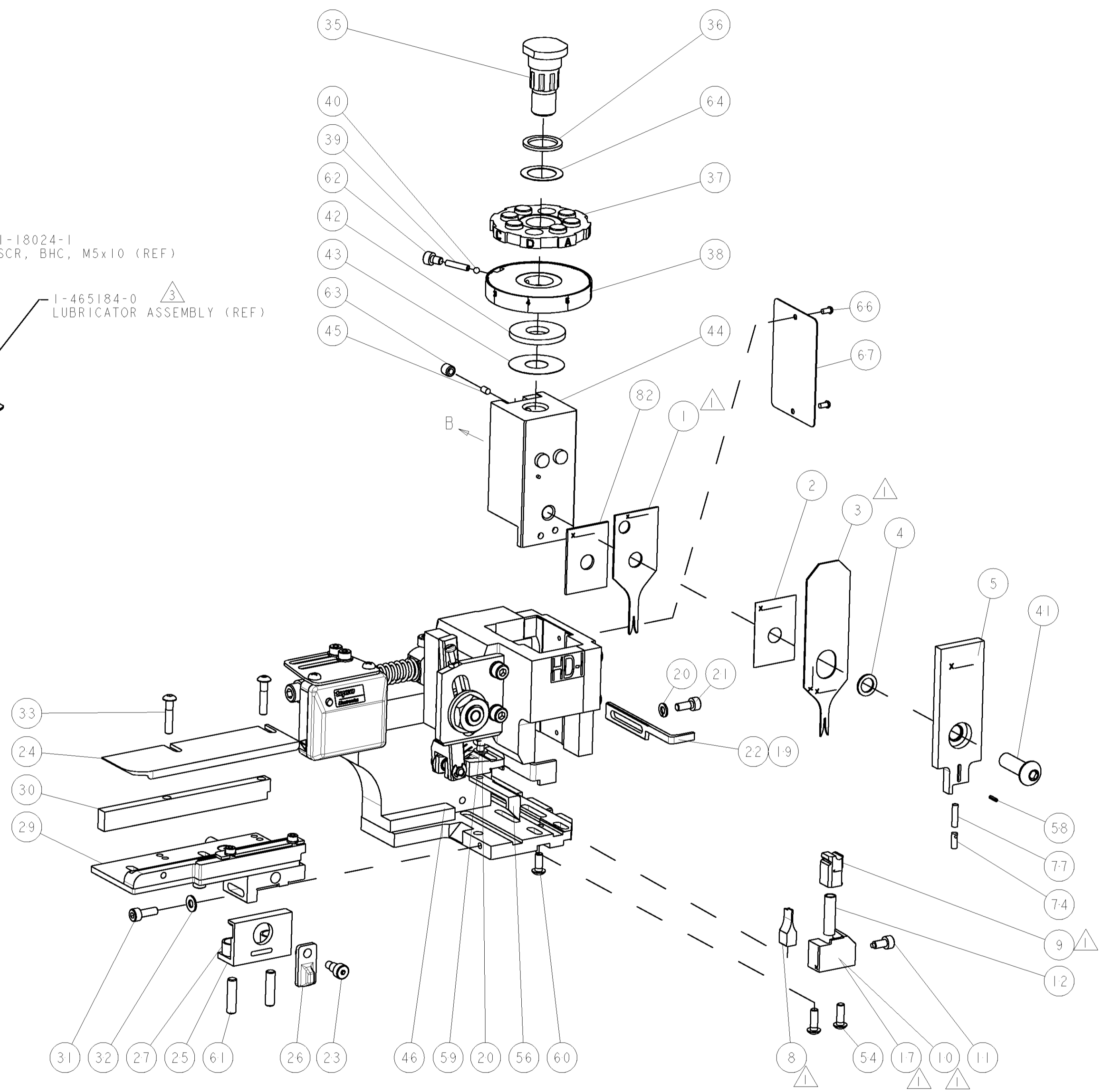
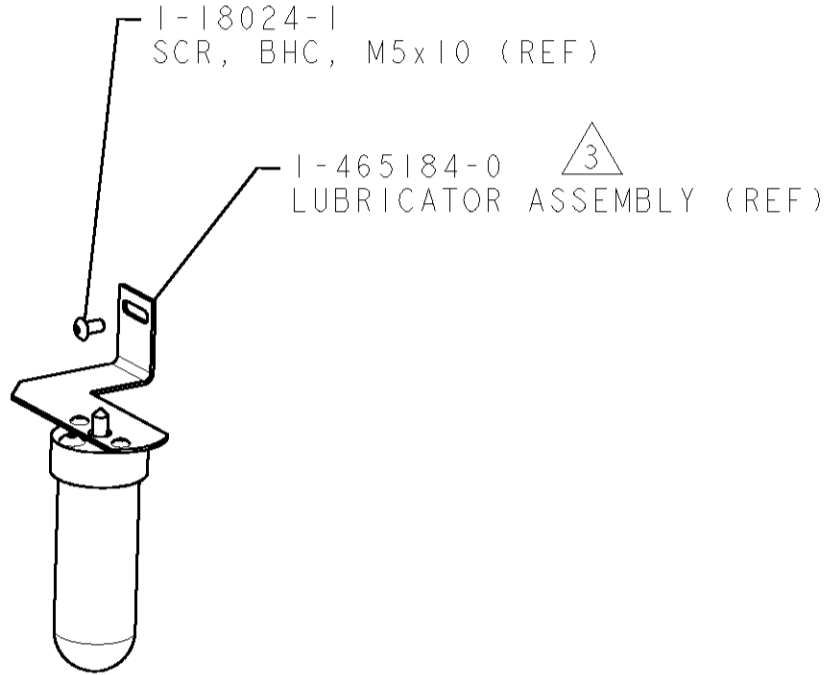
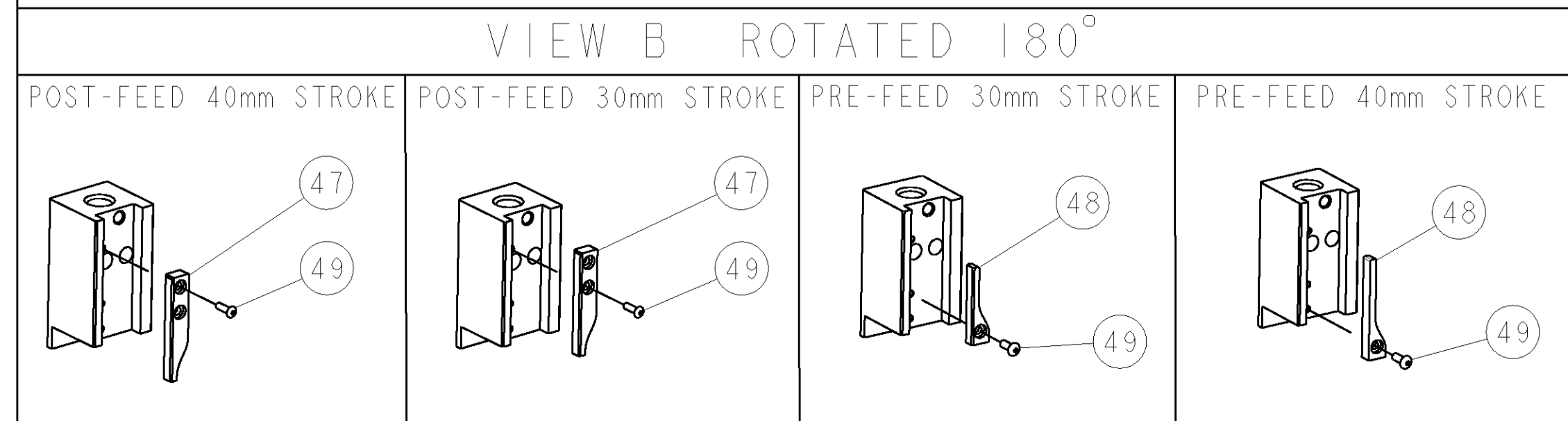


PART NUMBER	REV	TERMINATOR	FEED TYPE	DESCRIPTION
1426101-1	F	LEADMAKER	MECH POST FEED	CUTS CARRIER
1426101-2	F	BENCH	MECH PRE FEED	CUTS CARRIER
1426101-6	F	LEADMAKER	MECH POST FEED	CONTINUOUS CARRIER
7-1426101-1	F	LEADMAKER	MECH POST FEED	-1 AND SPARE PARTS
7-1426101-2	F	BENCH	MECH PRE FEED	-2 AND SPARE PARTS
7-1426101-6	F	LEADMAKER	MECH POST FEED	-6 AND SPARE PARTS
7-1426101-7	F	-	-	SPARE PARTS KIT

CRIMP DATA		MOLEX TERMINAL	MOLEX CRIMP SPECS
TERMINAL NAME: 1.25 WIRE TO BOARD CONN. CRIMP REC. TERMINAL			
CRIMP	SIZE	TYPE	RANGE
WIRE	0.80 [1.031 IN]	F	28-26 AWG or 0.08-0.12mm <sup>2</sup>
INSUL	0.85 [1.033 IN]	F	0.50-1.00 [1.020-.039 IN]
WIRE STRIP LENGTH 1.40-1.90 [1.055-.075 IN]		APPL INSTRUCTIONS 408-8322	
TERMINAL APPL SPEC		MOLEX SPECSHEET 63910-3700	FEED 4.52 [1.178 IN]
TERMINALS APPLIED		TE PN	MFR PN
		993820-1	50079-8000
WIRE SIZE	CRIMP HEIGHT	PINPN & LENGTH [IN]	
26AWG or 0.12mm <sup>2</sup>	0.60-0.65 [1.023-.025 IN]	6-354779-2 [1.3300]	
28AWG	0.58-0.64 [1.023-.025 IN]	6-354779-2 [1.3300]	
28AWG or 0.08mm <sup>2</sup>	0.56-0.61 [1.022-.024 IN]	6-354779-4 [1.3310]	

- △ RECOMMENDED SPARE PARTS.
- 2. GREASE RAM, CAM, CAM FOLLOWER AND FEED ROD LIGHTLY.
- △ CERTAIN TERMINALS REQUIRE LUBRICATION. REFER TO THE APPLICATOR INSTRUCTION SHEET FOR MORE INFORMATION.
- 4. LUBRICATE DAILY PER THE APPLICATOR INSTRUCTION SHEET SUPPLIED WITH THE APPLICATOR.
- △ CRIMP HEIGHT IS SPECIFIC TO ORIGINAL CUSTOMER.



SET UP GAGE  
458637-3

REV	DATE	BY	CHK	DESCRIPTION
A	08-02-01	J. L. HOUSE		SEE ECR-08-026037

REV	DATE	BY	CHK	DESCRIPTION	ITEM NO		
-	-	-	-	-	73		
-	-	-	-	-	72		
-	-	-	-	-	71		
1	1	1	1	1	1338705-1	DOCUMENTATION PACKAGE	71
-	-	-	-	-	-	70	
-	-	-	-	-	-	69	
-	-	-	-	-	-	68	
1	1	1	1	1	461264-1	PLATE, IDENTIFICATION	67
2	2	2	2	2	21017-2	SCREW, DRIVE	66
-	-	-	-	-	-	65	
1	1	1	1	1	986950-1	WASHER, FLAT PRECISION	64
1	1	1	1	1	3-18031-0	SCR, SET, CUP POINT M6 X 6.0	63
1	1	1	1	1	18023-9	SCR, SKT HD CAP M4 X 6.0	62
2	2	2	2	2	2-18032-5	SCR, SET, FLT POINT M5 X 20.0	61
1	1	1	1	1	18024-7	SCR, BTN SKT HD CAP (M4 X 10.0)	60
1	1	1	1	1	5-18022-2	SCR, HEX HD CAP M4 X 8.0	59
1	1	1	1	1	21028-2	PIN, SLOTTED SPRING .062 X .250	58
-	-	-	-	-	-	57	
1	1	1	1	1	1338685-1	PAWL, FEED	56
-	-	-	-	-	-	55	
2	2	2	2	2	18024-8	SCR, BTN SKT HD CAP (M4 X 12.0)	54
-	-	-	-	-	-	53	
-	-	-	-	-	-	52	
-	-	-	-	-	-	51	
-	-	-	-	-	-	50	
1	1	1	1	1	18024-3	SCR, BTN SKT HD CAP (M3 X 10.0)	49
1	1	1	1	1	1338675-1	CAM, UNIVERSAL PRE FEED	48
1	1	1	1	1	1338676-1	CAM, UNIVERSAL POST-FEED	47
1	1	1	1	1	1320999-3	APPLICATOR SUBASSEMBLY, HDI	46
1	1	1	1	1	690191-1	PLUG, NYLON	45
1	1	1	1	1	1338660-1	RAM	44
1	1	1	1	1	690125-1	SHIM SUB-ASSY	43
1	1	1	1	1	690124-1	WASHER, RAM (.115)	42
1	1	1	1	1	2-18024-6	SCR, BTN SKT HD CAP (M8 X 25.0)	41
1	1	1	1	1	23241-1	BALL, STEEL	40
1	1	1	1	1	2-22278-7	SPRING, COMPRESSION	39
1	1	1	1	1	1320922-1	DISC, ADJUST, INSULATION CRIMP	38
1	1	1	1	1	354777-1	WIRE DISC, ASSEMBLY	37
1	1	1	1	1	22480-5	SPRING, COMPRESSION	36
1	1	1	1	1	690212-1	POST, RAM	35
-	-	-	-	-	-	34	
2	2	2	2	2	1-18024-0	SCR, BTN SKT HD CAP (M4 X 20.0)	33
1	1	1	1	1	18027-2	WASHER, FLAT, REG M4	32
1	1	1	1	1	1-18023-2	SCR, SKT HD CAP M4 X 12.0	31
1	1	1	1	1	1320908-9	SPACER, STRIP GUIDE	30
1	1	1	1	1	1633073-3	STRIP GUIDE ASSEMBLY	29
-	-	-	-	-	-	28	
2	2	2	2	2	1-22284-0	SPRING, COMPRESSION	27
1	1	1	1	1	356835-1	LEVER, DRAG RELEASE	26
1	1	1	1	1	240792-1	DRAG, TERMINAL	25
1	1	1	1	1	1320928-1	PLATE, STRIP GUIDE	24
1	1	1	1	1	980371-4	SCR, SKT HD SHLDR 5.0 DIA X 6.0	23
1	1	1	1	1	690472-2	STRIPPER	22
1	1	1	1	1	1-18023-1	SCR, SKT HD CAP M4 X 10.0	21
2	2	2	2	2	18025-2	WASHER, SPRG LOCK, REG M4	20
1	1	1	1	1	1-690472-9	STRIPPER	19
-	-	-	-	-	-	18	
1	1	1	1	1	1338684-1	SHEAR HOLDER, FRONT	17
-	-	-	-	-	-	16	
-	-	-	-	-	-	15	
-	-	-	-	-	-	14	
-	-	-	-	-	-	13	
1	1	1	1	1	3-22280-3	SPRING, COMPRESSION	12
1	1	1	1	1	356885-4	STOP, SHEAR	11
1	1	1	1	1	1320921-1	SHEAR HOLDER, FRONT, CUT	10
1	1	1	1	1	462006-1	FLOATING SHEAR, FRONT	9
1	2	2	2	1	1-1333228-7	ANVIL	8
-	-	-	-	-	-	7	
-	-	-	-	-	-	6	
1	1	1	1	1	854772-1	DEPRESSOR, SHEAR	5
1	1	1	1	1	2-238011-8	BLOCK, CRIMPER SPACER	4
1	2	2	2	1	7-683453-0	CRIMPER, INSULATION PREMIUM	3
1	1	1	1	1	455888-1	SPACER, CRIMPER	2
1	2	2	2	1	1-1633021-2	CRIMPER, WIRE F	1

REV	DATE	BY	CHK	DESCRIPTION	ITEM NO				
-	-	-	-	-	84				
-	-	-	-	-	83				
1	1	1	1	1-455888-1	SPACER, CRIMPER	82			
-	-	-	-	-	81				
-	-	-	-	-	80				
-	-	-	-	-	79				
-	-	-	-	-	78				
1	1	1	1	1-22278-0	SPRING, COMPRESSION	77			
-	-	-	-	-	76				
-	-	-	-	-	75				
1	1	1	1	854769-2	HOLDER, INS	74			
-77	-76	-72	-71	-6	-2	-1	PART NO	DESCRIPTION	ITEM NO

DIMENSIONS: mm [IN]	TOLERANCES UNLESS OTHERWISE SPECIFIED: 3 PLC ±.005 4 PLC ±.008 5 PLC ±.010 6 PLC ±.015	REV	DATE	BY	CHK
		27OCT2000	08-02-01	J. L. HOUSE	
MATERIAL		FINISH		WEIGHT	
-		-		-	
CUSTOMER DRAWING		SCALE 3:5		SHEET 1 OF 1	