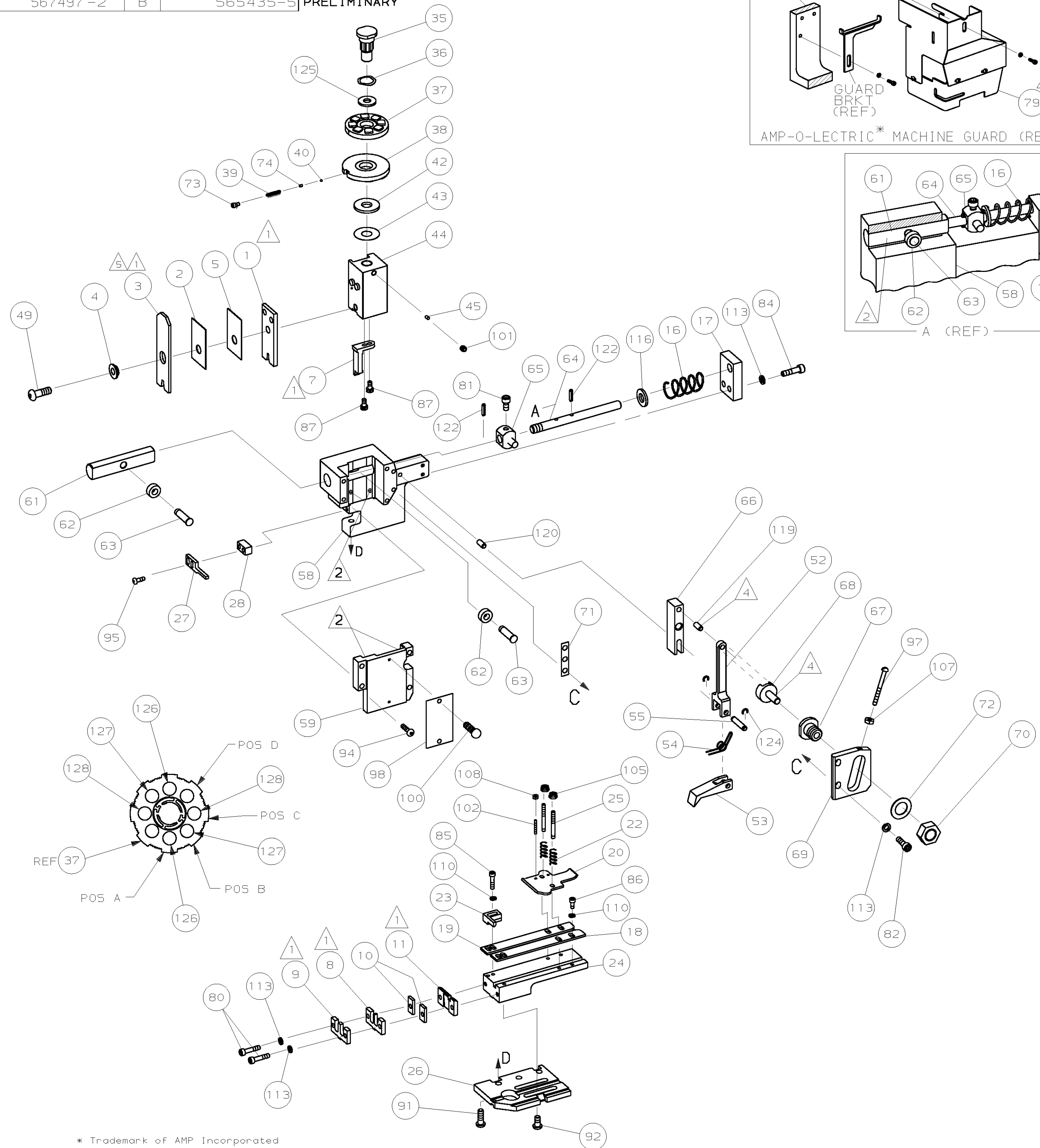
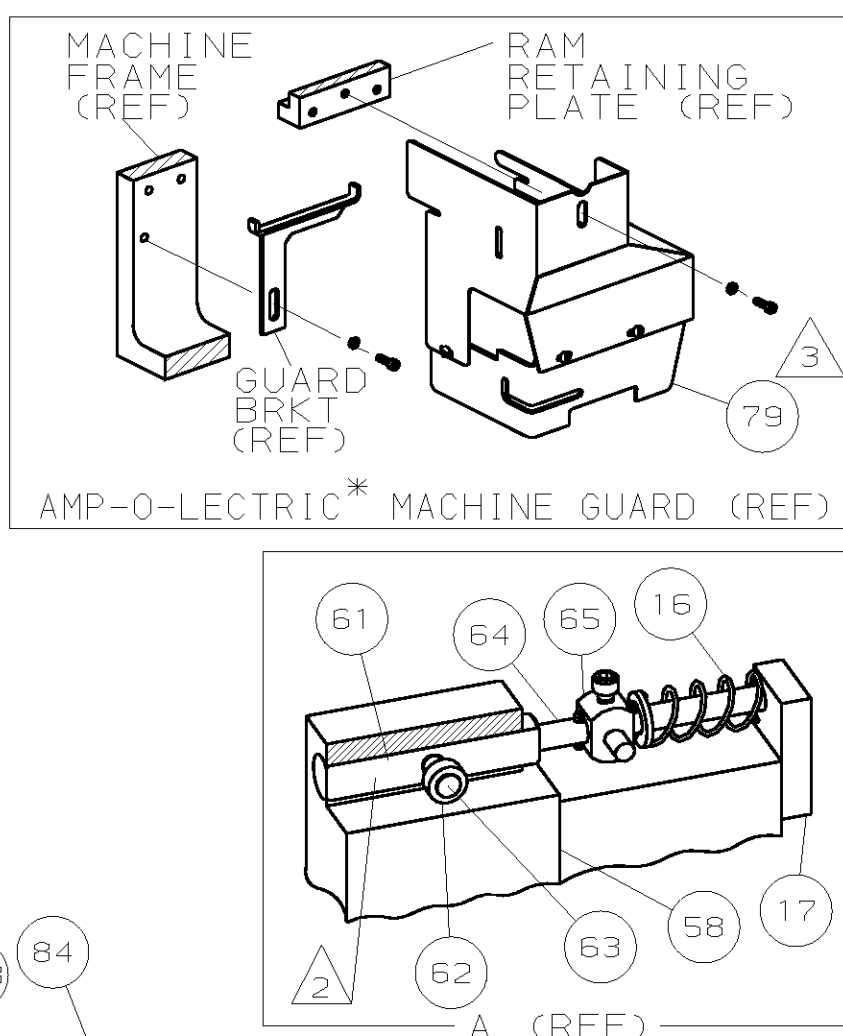


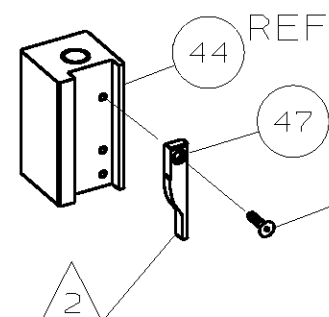
PART NUMBER	REV	FIRST USED
567497-1	B	854400-1
567497-2	B	565435-5

PRELIMINARY

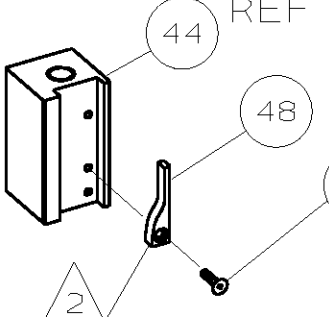


* Trademark of AMP Incorporated

POST-FEED 1 5/8 STROKE



PRE-FEED 1 1/8 STROKE



- ① RECOMMENDED SPARE PARTS.
- ② GREASE LIGHTLY.
- ③ GUARD MUST BE IN PLACE WHEN OPERATING APPLICATOR IN AMP-O-LECTRIC MACHINE.
- ④ LUBRICATE DAILY USING NO. 20 MACHINE OIL.
- ⑤ CRIMPER SIDE WITH CUT OUT SHOULD FACE RAM.

TERMINAL NAME: SPECIAL FLAG TERMINAL	
AMP P/N	MFG P/N
679276	9059-68

CRIMPING DATA			
PAD LTR	CRIMP HEIGHT	WIRE SIZE	
A	.103 ±.002	14	
B	.096 ±.002	16	
C	.087 ±.002	18	
D	NOT USED		
CRIMP	SIZE	TYPE	RANGE
WIRE	.140	F	18-14
INSUL	.180	F	.075-.190
FEED	APPL INST	SET UP GAGE	LAYOUT
.765	A1 8039	458638-1	L1500
WIRE STRIP LENGTH			
-			

-1	LEADMAKER	MECH-POST FEED
-2	AMP-O-LECTRIC	MECH-PRE FEED

QTY	REV	DESCRIPTION	ITEM NO
1	1	NUT, HEX	70
1	1	PLATE, ADJ	69
1	1	SHAFT, PIVOT	68
1	1	BUSHING	67
1	1	LEVER, INTERMEDIATE	66
1	1	BLOCK, PIVOT	65
1	1	SCR, ADJ	64
1	1	PIN, CAM ROLLER	63
1	1	CAM, ROLLER	62
1	1	ROD, FEED	61
1	1	CAP, RAM	59
1	1	HOUSING	58
1	1	PIN, FEED FINGER	55
1	1	SPRING, FEED FINGER	54
1	1	FINGER, FEED	53
1	1	LEVER, TERMINAL	52
1	1	WASHER, FLAT (Ø5/16) SCR ADJ	116
1	1	PIN, DOWEL (Ø.187x1.50)H5G	120
1	1	PIN, DOWEL (Ø.187x.50) LEVER	119
6	6	WASHER, LOCK (NO.10) SHEAR PL	113
5	5	WASHER, LOCK (NO.8) SHEAR BL	110
2	2	NUT, HEX (4-40) DRAG	108
1	1	NUT, HEX (6-32) FD ADJ PL	107
2	2	NUT, HEX 5L (8-32) DRAG STUD	105
2	2	SKT SKT SET (4-40x.75) DRAG	102
1	1	SCR, SKT SET (1/4-20x.25)RAM	101
2	2	SCR, DRIVE (#2x.19) ID PLATE	100
1	1	SCR, BHC (6-32x.38) CAM	99
1	1	PLATE, IDENTIFICATION	98
1	1	SCR, PAN HD (6-32x1.50) FEED ADJ	97
2	2	SCR, BHC (8-32x.50) STRIPPER	95
4	4	SCR, BHC (10-32x.75)H5G CAP	94
4	4	SCR, BHC (1/4-20x.50) ST 6D PL	92
3	3	SCR, BHC (1/4-20x.62) BASE PL	91
2	2	SCR, 5HC (8-32x.50) SLUG BLADE	87
3	3	SCR, 5HC (8-32x.38) STRIP GUIDE	86
2	2	SCR, 5HC (8-32x.75)R STRIP GUIDE	85
2	2	SCR, SKT CAP (10-32x.75) FD GDE	84
2	2	SCR, SKT CAP (10-32x.62) FD ADJ P	82
1	1	SCR, SKT CAP (10-32x.38) PIVOT BL	81
2	2	SCR, SKT CAP (10-32x1.25) SH PL	80
REF	-	GUARD, WINDOW	79
1	1	SPRING, ASSIST	74
1	1	SCR, SKT CAP (6-32x.25) CP DSC	73
1	1	WASHER, FLAT (SPECIAL)	72
1	1	SPACER	71
1	1	SPRING, ASSIST	74
1	1	SCR, SKT CAP (6-32x.25) CP DSC	73
1	1	WASHER, FLAT (SPECIAL)	72
1	1	SPACER	71
1	1	SPRING, ASSIST	74
1	1	SCR, SKT CAP (6-32x.25) CP DSC	73
1	1	WASHER, FLAT (SPECIAL)	72
1	1	SPACER	71
1	1	SPRING, ASSIST	74
1	1	SCR, SKT CAP (6-32x.25) CP DSC	73
1	1	WASHER, FLAT (SPECIAL)	72
1	1	SPACER	71
1	1	SPRING, ASSIST	74
1	1	SCR, SKT CAP (6-32x.25) CP DSC	73
1	1	WASHER, FLAT (SPECIAL)	72
1	1	SPACER	71
1	1	SPRING, ASSIST	74
1	1	SCR, SKT CAP (6-32x.25) CP DSC	73
1	1	WASHER, FLAT (SPECIAL)	72
1	1	SPACER	71
1	1	SPRING, ASSIST	74
1	1	SCR, SKT CAP (6-32x.25) CP DSC	73
1	1	WASHER, FLAT (SPECIAL)	72
1	1	SPACER	71
1	1	SPRING, ASSIST	74
1	1	SCR, SKT CAP (6-32x.25) CP DSC	73
1	1	WASHER, FLAT (SPECIAL)	72
1	1	SPACER	71
1	1	SPRING, ASSIST	74
1	1	SCR, SKT CAP (6-32x.25) CP DSC	73
1	1	WASHER, FLAT (SPECIAL)	72
1	1	SPACER	71
1	1	SPRING, ASSIST	74
1	1	SCR, SKT CAP (6-32x.25) CP DSC	73
1	1	WASHER, FLAT (SPECIAL)	72
1	1	SPACER	71
1	1	SPRING, ASSIST	74
1	1	SCR, SKT CAP (6-32x.25) CP DSC	73
1	1	WASHER, FLAT (SPECIAL)	72
1	1	SPACER	71
1	1	SPRING, ASSIST	74
1	1	SCR, SKT CAP (6-32x.25) CP DSC	73
1	1	WASHER, FLAT (SPECIAL)	72
1	1	SPACER	71
1	1	SPRING, ASSIST	74
1	1	SCR, SKT CAP (6-32x.25) CP DSC	73
1	1	WASHER, FLAT (SPECIAL)	72
1	1	SPACER	71
1	1	SPRING, ASSIST	74
1	1	SCR, SKT CAP (6-32x.25) CP DSC	73
1	1	WASHER, FLAT (SPECIAL)	72
1	1	SPACER	71
1	1	SPRING, ASSIST	74
1	1	SCR, SKT CAP (6-32x.25) CP DSC	73
1	1	WASHER, FLAT (SPECIAL)	72
1	1	SPACER	71
1	1	SPRING, ASSIST	74
1	1	SCR, SKT CAP (6-32x.25) CP DSC	73
1	1	WASHER, FLAT (SPECIAL)	72
1	1	SPACER	71
1	1	SPRING, ASSIST	74
1	1	SCR, SKT CAP (6-32x.25) CP DSC	73
1	1	WASHER, FLAT (SPECIAL)	72
1	1	SPACER	71
1	1	SPRING, ASSIST	74
1	1	SCR, SKT CAP (6-32x.25) CP DSC	73
1	1	WASHER, FLAT (SPECIAL)	72
1	1	SPACER	71
1	1	SPRING, ASSIST	74
1	1	SCR, SKT CAP (6-32x.25) CP DSC	73
1	1	WASHER, FLAT (SPECIAL)	72
1	1	SPACER	71
1	1	SPRING, ASSIST	74
1	1	SCR, SKT CAP (6-32x.25) CP DSC	73
1	1	WASHER, FLAT (SPECIAL)	72
1	1	SPACER	71
1	1	SPRING, ASSIST	74
1	1	SCR, SKT CAP (6-32x.25) CP DSC	73
1	1	WASHER, FLAT (SPECIAL)	72
1	1	SPACER	71
1	1	SPRING, ASSIST	74
1	1	SCR, SKT CAP (6-32x.25) CP DSC	73
1	1	WASHER, FLAT (SPECIAL)	72
1	1	SPACER	71
1	1	SPRING, ASSIST	74
1	1	SCR, SKT CAP (6-32x.25) CP DSC	73
1	1	WASHER, FLAT (SPECIAL)	72
1	1	SPACER	71
1	1	SPRING, ASSIST	74
1	1	SCR, SKT CAP (6-32x.25) CP DSC	73
1	1	WASHER, FLAT (SPECIAL)	72
1	1	SPACER	71
1	1	SPRING, ASSIST	74
1	1	SCR, SKT CAP (6-32x.25) CP DSC	73
1	1	WASHER, FLAT (SPECIAL)	72
1	1	SPACER	71
1	1	SPRING, ASSIST	74
1	1	SCR, SKT CAP (6-32x.25) CP DSC	73
1	1	WASHER, FLAT (SPECIAL)	72
1	1	SPACER	71
1	1	SPRING, ASSIST	74
1	1	SCR, SKT CAP (6-32x.25) CP DSC	73
1	1	WASHER, FLAT (SPECIAL)	72
1	1	SPACER	71
1	1	SPRING, ASSIST	74
1	1	SCR, SKT CAP (6-32x.25) CP DSC	73
1	1	WASHER, FLAT (SPECIAL)	72
1	1	SPACER	71
1	1	SPRING, ASSIST	74
1	1	SCR, SKT CAP (6-32x.25) CP DSC	73
1	1	WASHER, FLAT (SPECIAL)	72
1	1	SPACER	71
1	1	SPRING, ASSIST	74
1	1	SCR, SKT CAP (6-32x.25) CP DSC	73
1	1	WASHER, FLAT (SPECIAL)	72
1	1	SPACER	71
1	1	SPRING, ASSIST	74
1	1	SCR, SKT CAP (6-32x.25) CP DSC	73
1	1	WASHER, FLAT (SPECIAL)	72
1	1	SPACER	71
1	1	SPRING, ASSIST	74
1	1	SCR, SKT CAP (6-32x.25) CP DSC	73
1	1	WASHER, FLAT (SPECIAL)	72
1	1	SPACER	71
1	1	SPRING, ASSIST	74
1	1	SCR, SKT CAP (6-32x.25) CP DSC	73
1	1	WASHER, FLAT (SPECIAL)	72
1	1	SPACER	71
1	1	SPRING, ASSIST	74
1	1	SCR, SKT CAP (6-32x.25) CP DSC	73
1	1	WASHER, FLAT (SPECIAL)	72
1	1	SPACER	71
1	1	SPRING, ASSIST	74
1	1	SCR, SKT CAP (6-32x.25) CP DSC	73
1	1	WASHER, FLAT (SPECIAL)	72
1	1	SPACER	71
1	1	SPRING, ASSIST	74
1	1	SCR, SKT CAP (6-32x.25) CP DSC	73
1	1	WASHER, FLAT (SPECIAL)	72
1	1	SPACER	71
1	1	SPRING, ASSIST	74
1	1	SCR, SKT CAP (6-32x.25) CP DSC	73
1	1	WASHER, FLAT (SPECIAL)	72
1	1	SPACER	71
1	1	SPRING, ASSIST	74
1	1	SCR, SKT CAP (6-32x.25) CP DSC	73
1	1	WASHER, FLAT (SPECIAL)	72
1	1	SPACER	71
1	1	SPRING, ASSIST	74
1	1	SCR, SKT CAP (6-32x.25) CP DSC	73
1	1	WASHER, FLAT (SPECIAL)	72
1	1	SPACER	71
1	1	SPRING, ASSIST	74
1	1	SCR, SKT CAP (6-32x.25) CP DSC	73
1	1	WASHER, FLAT (SPECIAL)	72
1	1	SPACER	71
1	1	SPRING, ASSIST	74
1	1	SCR, SKT CAP (6-32x.25) CP DSC	73
1	1	WASHER, FLAT (SPECIAL)	72
1	1	SPACER	71
1	1	SPRING, ASSIST	74
1	1	SCR, SKT CAP (6-32x.25) CP DSC	73
1	1	WASHER, FLAT (SPECIAL)	72
1	1	SPACER	71
1	1	SPRING, ASSIST	74
1	1	SCR, SKT CAP (6-32x.25) CP DSC	73
1	1	WASHER, FLAT (SPECIAL)	72
1	1	SPACER	71
1	1	SPRING, ASSIST	74
1	1	SCR, SKT CAP (6-32x.25) CP DSC	73
1	1	WASHER, FLAT (SPECIAL)	72
1	1	SPACER	71
1	1	SPRING, ASSIST	74
1	1	SCR, SKT CAP (6-32x.25) CP DSC	73
1	1	WASHER, FLAT (SPECIAL)	72
1	1	SPACER	71
1	1	SPRING, ASSIST	74
1	1	SCR, SKT CAP (6-32x.25) CP DSC	73
1	1	WASHER, FLAT (SPECIAL)	72
1	1	SPACER	71
1	1	SPRING, ASSIST	74
1	1	SCR, SKT CAP (6-32x.25) CP DSC	73
1	1	WASHER, FLAT (SPECIAL)	72
1	1	SPACER	71
1	1	SPRING, ASSIST	74
1	1	SCR, SKT CAP (6-32x.25) CP DSC	73
1	1	WASHER, FLAT (SPECIAL)	72
1	1	SPACER	71
1	1	SPRING, ASSIST	74
1	1	SCR, SKT CAP (6-32x.25) CP DSC	73
1	1	WASHER, FLAT (SPECIAL)	72
1	1	SPACER	71
1	1	SPRING, ASSIST	74
1	1	SCR, SKT CAP (6-32x.25) CP DSC	73
1	1	WASHER, FLAT (SPECIAL)	72
1	1	SPACER	71
1	1	SPRING, ASSIST	74
1	1	SCR, SKT CAP (6-32x.25) CP DSC	73
1	1	WASHER, FLAT (SPECIAL)	72
1	1	SPACER	71
1	1	SPRING, ASSIST	74
1	1	SCR, SKT CAP (6-32x.25) CP DSC	73
1	1	WASHER, FLAT (SPECIAL)	72
1	1	SPACER	71
1	1	SPRING, ASSIST	74
1	1	SCR, SKT CAP (6-32x.25) CP DSC	73
1	1	WASHER, FLAT (SPECIAL)	72
1	1	SPACER	71
1	1	SPRING, ASSIST	74
1	1	SCR, SKT CAP (6-32x.25) CP DSC	73
1	1	WASHER, FLAT (SPECIAL)	72
1	1	SPACER	71
1	1	SPRING, ASSIST	74
1	1	SCR, SKT CAP (6-32x.25) CP DSC	73
1	1	WASHER, FLAT (SPECIAL)	72
1	1	SPACER	71
1	1	SPRING, ASSIST	74
1	1	SCR, SKT CAP (6-32x.25) CP DSC	73
1	1	WASHER, FLAT (SPECIAL)	72
1	1	SPACER	71
1	1	SPRING, ASSIST	74
1	1	SCR, SKT CAP (6-32x.25) CP DSC	73
1	1	WASHER, FLAT (SPECIAL)	72
1	1	SPACER	71
1	1	SPRING, ASSIST	74
1	1	SCR, SKT CAP (6-32x.25) CP DSC	73
1	1	WASHER, FLAT (SPECIAL)	72
1	1	SPACER	71
1	1	SPRING, ASSIST	74
1	1	SCR, SKT CAP (6-32x.25) CP DSC	73
1	1	WASHER, FLAT (SPECIAL)	72
1	1	SPACER	71
1	1	SPRING, ASSIST	74
1</			