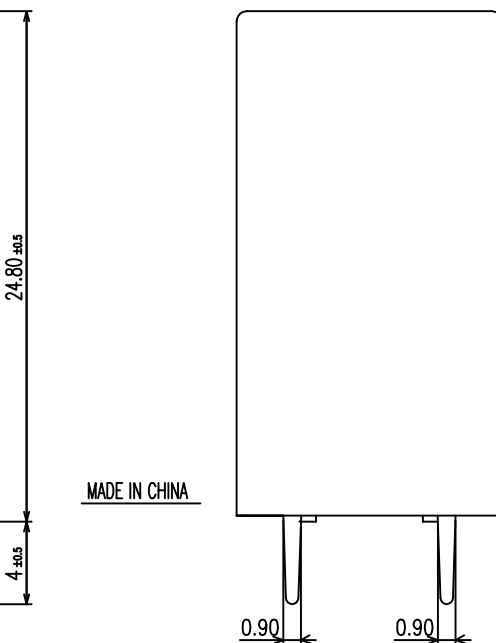
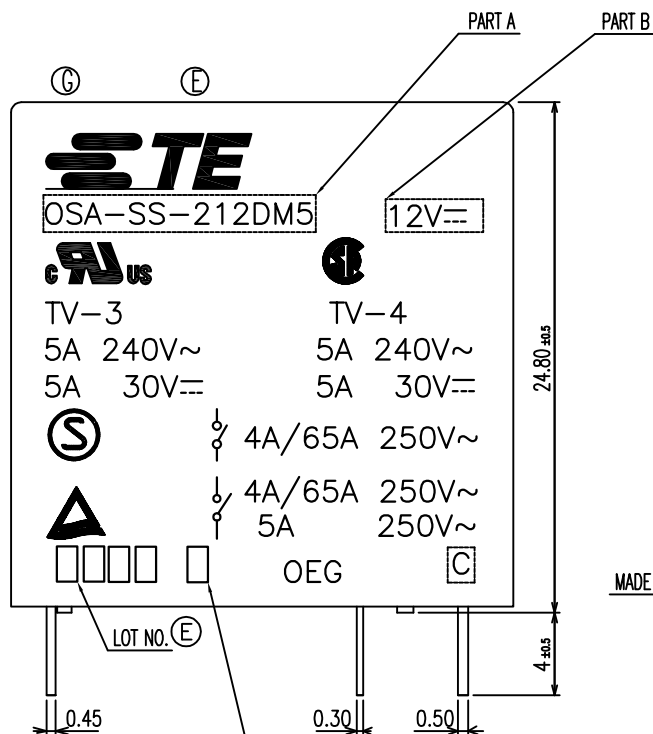
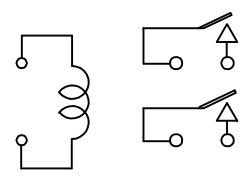


THIS DRAWING IS UNPUBLISHED. RELEASED FOR PUBLICATION
 © COPYRIGHT ALL RIGHTS RESERVED.

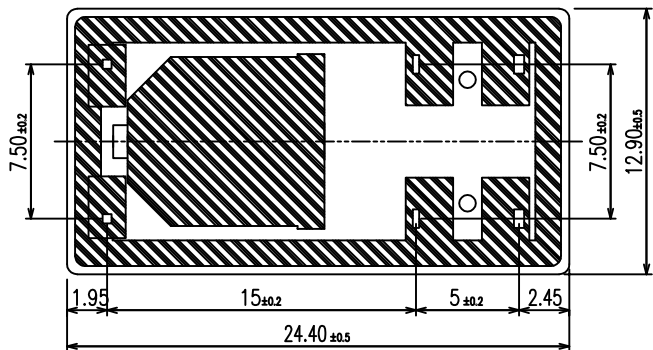
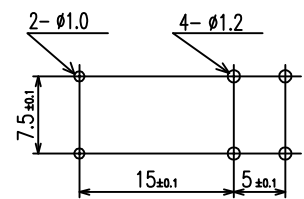
LOC	HB	DIST	REVISIONS					
			P	LTR	DESCRIPTION	DATE	DWN	APVD
			E	1	REVISED PER ECO-11-005140	29MAR11	RK	HMR
			G		1.CHANGE TE LOGO 2. ADD LINE IDENTIFICATIONS 3.TERMINALS TOLERANCE CLARIFICATION ECO-12-005305	28MAR12	YS.H	BH.Y



CONNECTION DIAGRAM?BOTTM VIEW?



DRILLING DIAGRAM?BOTTM VIEW?



TOLERANCE	
Diagram dimension	Tolerance
max. 1mm	±0.1mm
1 - 3mm	±0.2mm
min. 3mm	±0.3mm

DWN H.SASAKI		TE Connectivity	
CHK Y.OIKAWA			
APVD A.NAGAI		NAME	
PRODUCT SPEC -		OSA-SS-DM5,000 ,000M	
APPLICATION SPEC -		RESTRICTED TO	
MATERIAL -		SIZE A3	CAGE CODE 00779
FINISH -		DRAWING NO. 5-1419124-7	REV G
CUSTOMER DRAWING		SCALE 4:1	SHEET 1 OF 2

THIS DRAWING IS UNPUBLISHED.

RELEASED FOR PUBLICATION

© COPYRIGHT

ALL RIGHTS RESERVED.

LOC

DIST

REVISIONS

P	LTR	DESCRIPTION	ECN	DATE	DWN	APVD

ⓓ	9-1440001-1	OSA-SS-224DM5	24VDC	OSA-SS-224DM5	o
ⓓ	9-1440001-0	OSA-SS-218DM5	18VDC	OSA-SS-218DM5	n
ⓓ	8-1440001-9	OSA-SS-212DM5	12VDC	OSA-SS-212DM5	m
ⓓ	8-1440001-8	OSA-SS-212DM5	12VDC	OSA-SS-212DM5	l
ⓓ	8-1440001-7	OSA-SS-209DM5	9VDC	OSA-SS-209DM5	k
ⓓ	8-1440001-6	OSA-SS-206DM5	6VDC	OSA-SS-206DM5	j
ⓓ	8-1440001-5	OSA-SS-205DM5	5VDC	OSA-SS-205DM5	i
	1461388-9	OSA-SS-248DM5	48VDC	OSA-SS-248DM5	h
	6-1419124-1	OSA-SS-224DM5	24VDC	OSA-SS-224DM5	g
	3-1419145-6	OSA-SS-218DM5	18VDC	OSA-SS-218DM5	f
	3-1419145-5	OSA-SS-212DM5	12VDC	OSA-SS-212DM5	e
	5-1419124-7	OSA-SS-212DM5	12VDC	OSA-SS-212DM5	d
	3-1419145-4	OSA-SS-209DM5	9VDC	OSA-SS-209DM5	c
	5-1419124-5	OSA-SS-206DM5	6VDC	OSA-SS-206DM5	b
	5-1419124-3	OSA-SS-205DM5	5VDC	OSA-SS-205DM5	a
TE CONNECTIVITY PART NUMBER	DESCRIPTION	PART B	PART A	ITEM	

ⓔ NOTES:

1. LOT NO. SYSTEM AS FOLLOWING:

0813

WEEK

YEAR

ⓐ 2. TERMINAL DIMENSIONS BEFORE SOLDER DIP

ⓐ 3. FOR THE TIN-PLATING OF THE PINS:

+0.1mm FOR WIDTH, THICKNESS AND DIAMETER

+0.5mm FOR LENGTH

RELAY TYPE

INCOMBUSTIBILITY	TREATMENT	MATERIAL	DESCRIPTION	ITEM
		EPOXY RESIN	SEAL	14
94V-0		PBT	CASE	13
94V-0		PA66	CARD	12
		Ag ALLOY	STATIONARY CONTACT	11
		Cu ALLOY	STATIONARY TERMINAL	10
		Ag ALLOY	MOVABLE CONTACT	9
		Cu ALLOY	MOVABLE SPRING	8
	Cu-Ni PLATED	STEEL	ARMATURE	7
	Cu-Ni PLATED	STEEL	CORE	6
		PBS	HINGE SPRING	5
	Ni PLATED	STEEL	YOKE	4
		UEW	MAGNETIC WIRE	3
		CP WIRE	COIL TERMINAL	2
94V-0		PBT	BOBBIN	1



DIMENSIONS: mm		TOLERANCES UNLESS OTHERWISE SPECIFIED:		DWN				
		0 PLC	±	CHK				
		1 PLC	±	APVD				
		2 PLC	±	PRODUCT SPEC	NAME			
		3 PLC	±	APPLICATION SPEC	ⓐ OSA-SS-DM5,000,000			
		4 PLC	±	WEIGHT	SIZE	CAGE CODE	DRAWING NO	RESTRICTED TO
		ANGLES	±	CUSTOMER DRAWING	A3	00779	ⓐ 5-1419124-7	-
MATERIAL		FINISH	±	SCALE		SHEET		REV
				4:1		2 OF 2		G