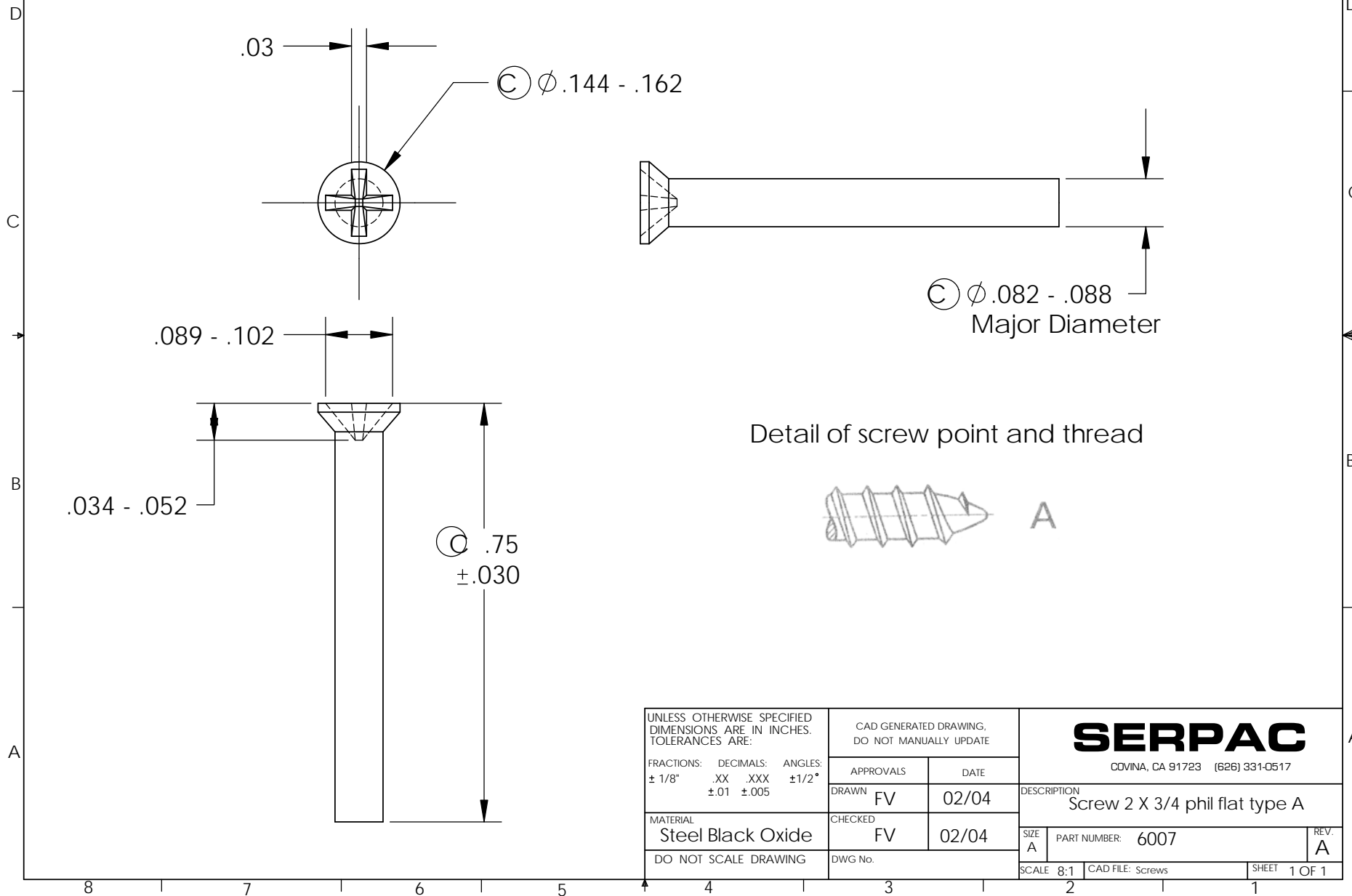


THE INFORMATION CONTAINED IN THIS DRAWING IS THE SOLE PROPERTY OF SERPAC. ANY REPRODUCTION IN PART OR WHOLE WITHOUT THE WRITTEN PERMISSION OF SERPAC IS PROHIBITED.

No.	REVISION	DATE



Detail of screw point and thread

UNLESS OTHERWISE SPECIFIED DIMENSIONS ARE IN INCHES. TOLERANCES ARE: FRACTIONS: ± 1/8" DECIMALS: .XX .XXX ±.01 .005 ANGLES: ±1/2°	CAD GENERATED DRAWING, DO NOT MANUALLY UPDATE		SERPAC COVINA, CA 91723 (626) 331-0517			
	APPROVALS	DATE			DESCRIPTION	
MATERIAL	DRAWN	CHECKED	DATE	SIZE	PART NUMBER:	REV.
Steel Black Oxide	FV	FV	02/04	A	6007	A
DO NOT SCALE DRAWING	DWG No.	SCALE	CAD FILE:	SHEET	1 OF 1	
		8:1	Screws	1		