

3.3V, Low Capacitance 16-Bit to 32-Bit, DeMux NanoSwitch™ with Precharged Outputs
Features

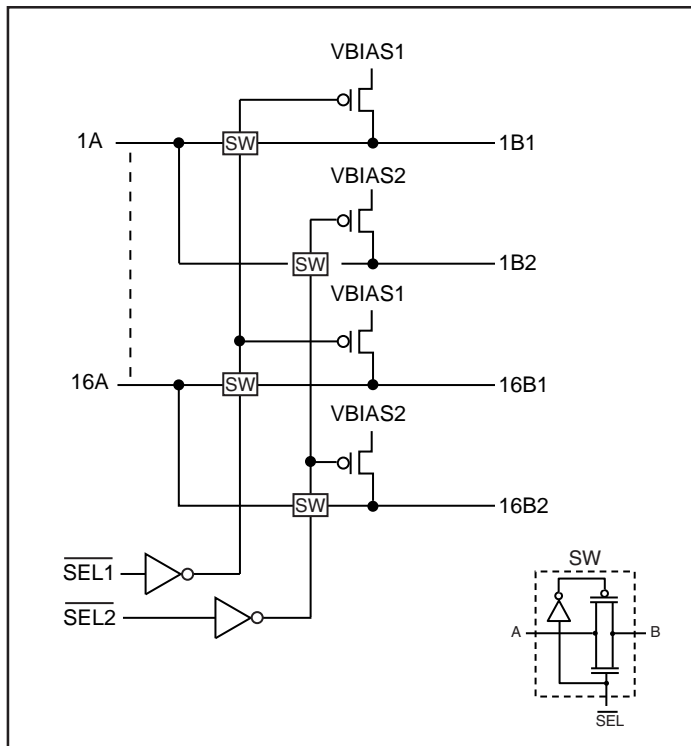
- RON is 5-ohm (typ.)
- Pullup on B1 and B2 ports
- Low Power: 50µW (typ.)
- Industrial Operation Temperature: -40°C to +85°C
- Near-Zero propagation delay
- Switching speed: 4.5ns (max.)
- Channel on capacitance: 14pF (max.)
- VCC Operating Range: 3V to +3.6V
- Packaging (Pb-free & Green available):
- 56-pin TSSOP (A)

Description

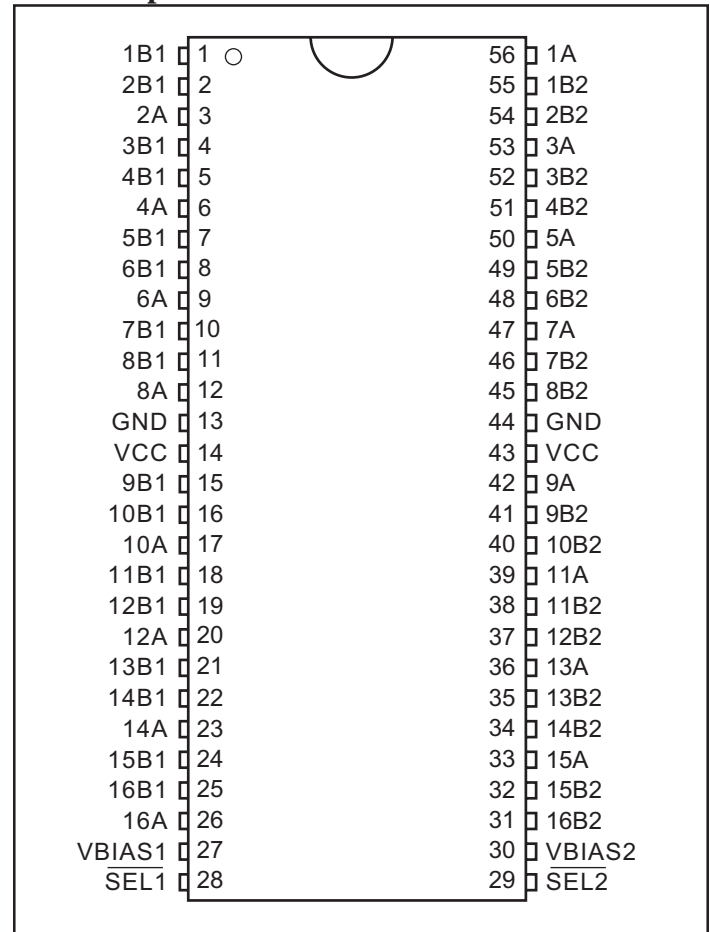
Pericom Semiconductor's PI3B32160 is a 16-bit to 32-bit demultiplexer bus switch. Industry leading advantages include a propagation delay of 250ps, resulting from 5-ohm channel resistance and low I/O capacitance. A port demultiplexes to either 1B and 2B or to both. The switch is bidirectional.

Application

- Provides PCI Hot Plugging

Block Diagram


| Function | $\overline{\text{SEL1}}$ | $\overline{\text{SEL2}}$ |
|-------------------|--------------------------|--------------------------|
| nA to nB1 | L | H |
| nA to nB2 | H | L |
| nA to nB1 and nB2 | L | L |
| nB1, nB2 = VBIAS | H | H |

Pin Description


Maximum Ratings

(Above which the useful life may be impaired. For user guidelines, not tested.)

| | |
|--|-----------------|
| Storage Temperature | -65°C to +150°C |
| Ambient Temperature with Power Applied | -40°C to +85°C |
| Supply Voltage to Ground Potential | -0.3V to +4.6V |
| DC Input Voltage | -0.5V to +4.6V |
| DC Output Current | 120mA |
| Power Dissipation | 0.5W |

Note: Stresses greater than those listed under MAXIMUM RATINGS may cause permanent damage to the device. This is a stress rating only and functional operation of the device at these or any other conditions above those indicated in the operational sections of this specification is not implied. Exposure to absolute maximum rating conditions for extended periods may affect reliability.

DC Electrical Characteristics (Over the Operating Range, $T_A = -40^\circ\text{C}$ to $+85^\circ\text{C}$, $V_{CC} = 3.3\text{V} \pm 10\%$, $V_{BIAS} = 1.3\text{V}$ to V_{CC})

| Parameters | Description | Test Conditions ⁽¹⁾ | Min. | Typ. ⁽²⁾ | Max. | Units |
|-----------------|-------------------------------------|---|------|---------------------|---------|---------------|
| V_{IH} | Input HIGH Voltage | Guaranteed Logic HIGH Level | 2.0 | | | V |
| V_{IL} | Input LOW Voltage | Guaranteed Logic LOW Level | -0.5 | | 0.8 | |
| I_{IH} | Input HIGH Current | $V_{CC} = \text{Max.}, V_{IN} = V_{CC}$ | | | ± 1 | μA |
| I_{IL} | Input LOW Current | $V_{CC} = \text{Max.}, V_{IN} = \text{GND}$ | | | ± 1 | |
| $I_{OZH}^{(3)}$ | High Impedance Output Current | $A = 0\text{V}$ or $V_{CC} \text{ max.}, V_{BIAS1} = V_{BIAS2} = V_{CC} \text{ max.}$ | | | +1 | |
| V_{IK} | Clamp Diode Voltage | $V_{CC} = \text{Min.}, I_{IN} = -18\text{mA}$ | | -0.9 | -1.8 | V |
| R_{ON} | Switch On Resistance ⁽⁴⁾ | $V_{CC} = \text{Min.}, V_{IN} = 0.0\text{V}, I_{ON} = 48\text{mA}$ | | 5 | 7 | Ω |
| | | $V_{CC} = \text{Min.}, V_{IN} = 2.4\text{V}, I_{ON} = 15\text{mA}$ | | 9 | 15 | |

Notes:

- For Max. or Min. conditions, use appropriate value specified under Electrical Characteristics for the applicable device type.
- Typical values are at $V_{CC} = 3.3\text{V}$, $T_A = 25^\circ\text{C}$ ambient and maximum loading.
- Not more than one output should be shorted at one time. Duration of the test should not exceed one second.
- Measured by the voltage drop between A and B pins at indicated current through the switch. ON resistance is determined by the lower of the voltages on the two (A & B) pins.

Capacitance ($T_A = 25^\circ\text{C}$, $f = 1\text{MHz}$)

| Parameters ⁽¹⁾ | Description | Test Conditions | Typ. | Max. | Units |
|---------------------------|----------------------------|----------------------|------|------|-------|
| C_{IN} | Input Capacitance | $V_{IN} = 0\text{V}$ | 2.6 | 3.2 | pF |
| C_{OFF} | A Capacitance, Switch Off | $V_{IN} = 0\text{V}$ | 8.0 | 9.5 | pF |
| C_{OFF} | B Capacitance, Switch Off | $V_{IN} = 0\text{V}$ | 4.2 | 4.7 | pF |
| C_{ON} | A/B Capacitance, Switch On | $V_{IN} = 0\text{V}$ | 11 | 14 | pF |

Notes:

- This parameter is determined by device characterization but is not production tested.

Power Supply Characteristics

| Parameters ⁽⁵⁾ | Description | Test Conditions ⁽¹⁾ | | Min. | Typ. ⁽²⁾ | Max. | Units |
|---------------------------|---|--|---|------|---------------------|------|------------|
| I _{CC} | Quiescent Power Supply Current | V _{CC} = Max. | V _{IN} = GND or V _{CC} | | | 20 | μA |
| ΔI _{CC} | Supply Current per Input @TTL HIGH | V _{CC} = Max. | V _{IN} = 3.0V ⁽³⁾ other pin = V _{CC} or GND | | | 2.5 | mA |
| I _{CCD} | Supply Current per Input per MHz ⁽⁴⁾ | V _{CC} = Max., A and B Pins Open Control Input Toggling 50% Duty Cycle | | | | 0.25 | mA/ MHz |

Notes:

1. For Max. or Min. conditions, use appropriate value specified under Electrical Characteristics for the applicable device.
2. Typical values are at V_{CC} = 3.3V, +25°C ambient.
3. Per TTL driven input (V_{IN} = 3.0V, control inputs only); A and B pins do not contribute to I_{CC}.
4. This current applies to the control inputs only and represent the current required to switch internal capacitance at the specified frequency. The A and B inputs generate no significant AC or DC currents as they transition. This parameter is not tested, but is guaranteed by design.
5. Values for these conditions are examples of the I_{CC} formula. These limits are guaranteed but not tested.

Switching Characteristics over Operating Range

| Parameters | Description | Conditions | PI3B32160 | | | Units |
|--------------------------------------|--|---|-----------|------|------|-------|
| | | | Com. | | | |
| | | | Min. | Typ. | Max. | |
| t _{PLH} t _{PHL} | Propagation Delay ^(1,2) A to B | C _L =50pF R _L =500-ohm | | 0.25 | | ns |
| t _{PZH} t _{PZL} | Bus Enable Time SEL to A,B | | 1.3 | | 4.5 | |
| t _{PHZ} t _{PLZ} | Bus Disable Time SEL to A,B | | 1.3 | | 4.5 | |

Notes:

1. This parameter is guaranteed but not tested on Propagation Delays.
2. The bus switch contributes no propagational delay other than the RC delay of the ON resistance of the switch and the load capacitance. The time constant for the switch alone is of the order of 0.25ns for 50pF load. Since this time constant is much smaller than the rise/fall times of typical driving signals, it adds very little propagational delay to the system. Propagational delay of the bus switch when used in a system is determined by the driving circuit on the driving side of the switch and its interaction with the load on the driven side.

Applications Information

Logic Inputs

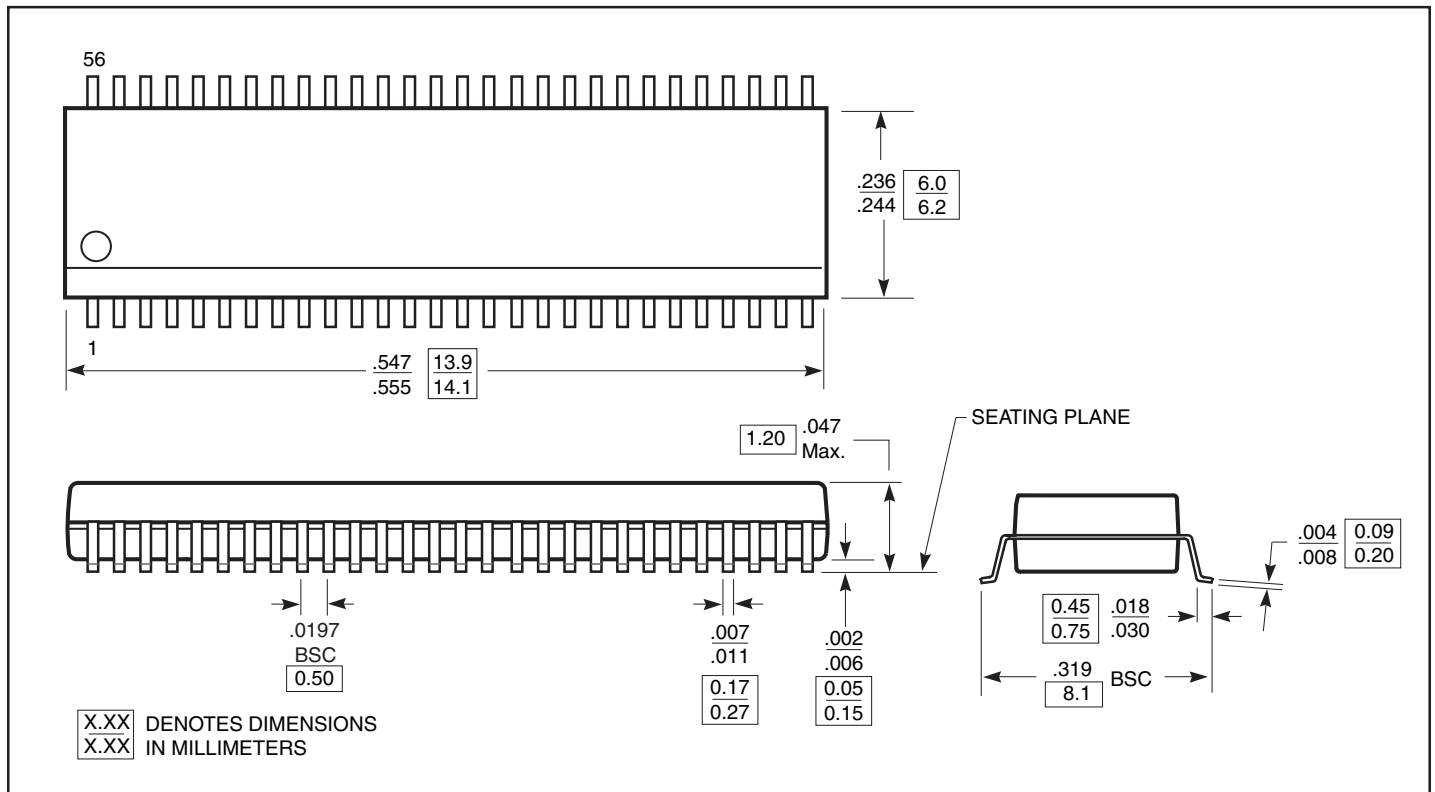
The logic control inputs can be driven up to +3.6V regardless of the supply voltage. For example, given a +3.3V supply, IN may be driven low to 0V and high to 3.6V. Driving IN Rail-to-Rail® minimizes power consumption.

Power-Supply Sequencing and Hot Plug Information

Proper power-supply sequencing is recommended for all CMOS devices. Always apply V_{CC} before applying signals to the BIAS voltage pin and the input/output or control pins.

Rail-to-Rail is a registered trademark of Nippon Motorola, Ltd.

Packaging Mechanical: 56-Pin TSSOP (A)



Ordering Information

| Ordering Code | Package Code | Package Type |
|---------------|--------------|-------------------------------|
| PI3B32160A | A | 56-pin TSSOP |
| PI3B32160AE | A | Pb-free & Green, 56-pin TSSOP |

Notes:

- Thermal characteristics can be found on the company web site at www.pericom.com/packaging/
- E = Pb-free & Green
- Adding an X suffix = Tape/Reel