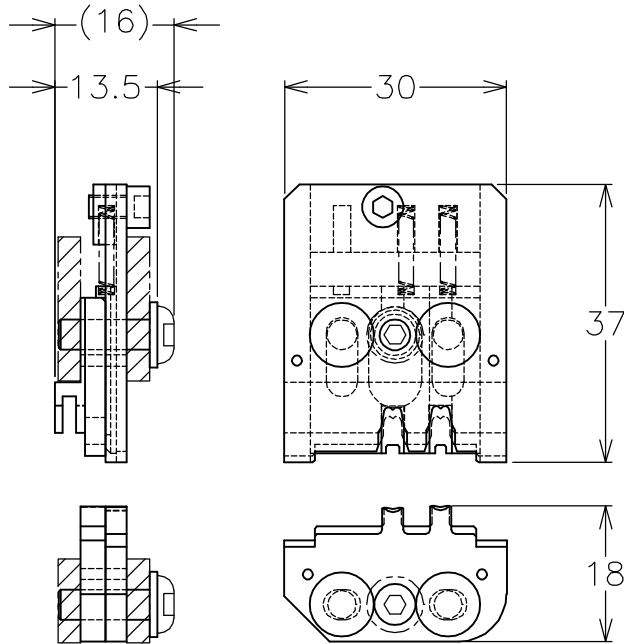


LOC J	DIST —	REVISIONS 変更			DATE	DWN	APVD
		P	LTR	DESCRIPTION			
			A	RELEASED	19AUG05	S.N	S.Y

-1 ONLY



RELEASED FOR PUBLICATION

ALL RIGHTS RESERVED.

BY TYCO ELECTRONICS CORPORATION.

THIS DRAWING IS UNPUBLISHED.

© COPYRIGHT

TERMINAL No.	WIRE SIZE AWG#	INS. RANGE (mm)	TERMINAL CH (mm)		IS. No.
			WIRE	INS.	
175218 (REC)	#20	ø1.8-ø2.8	1.05-1.22	2.92 REF	411-78207
175289 (TAB)	#18		1.05-1.32		
		#16	ø2.2-ø2.8	3.05 REF	

DIMENSIONS: 単位: 耗 mm	DWN S.NAKA	19.AUG.2005	MATERIAL 材料	—	FINISH 仕上	—	
	CHK S.NAKA	19.AUG.2005	Tyco Electronics AMP K.K. Kawasaki, Japan				
TOLERANCES UNLESS OTHERWISE SPECIFIED: 一般公差	APVD S.YABE	19.AUG.2005					
	PRODUCT SPEC 製品規格	—		NAME 名称	DIE ASSY		
0 PLC ± -	APPLICATION SPEC 取付適用規格	114-5148		SIZE	CAGE CODE	DRAWING NO 番号	RESTRICTED TO —
1 PLC ± -	WEIGHT	90 g		A4	00779	① 1762957	
2 PLC ± -	CUSTOMER DRAWING			SCALE 尺度	1:1	SHEET 1 OF 1	REV A
3 PLC ± -							
4 PLC ± -							
ANGLES ± -							

