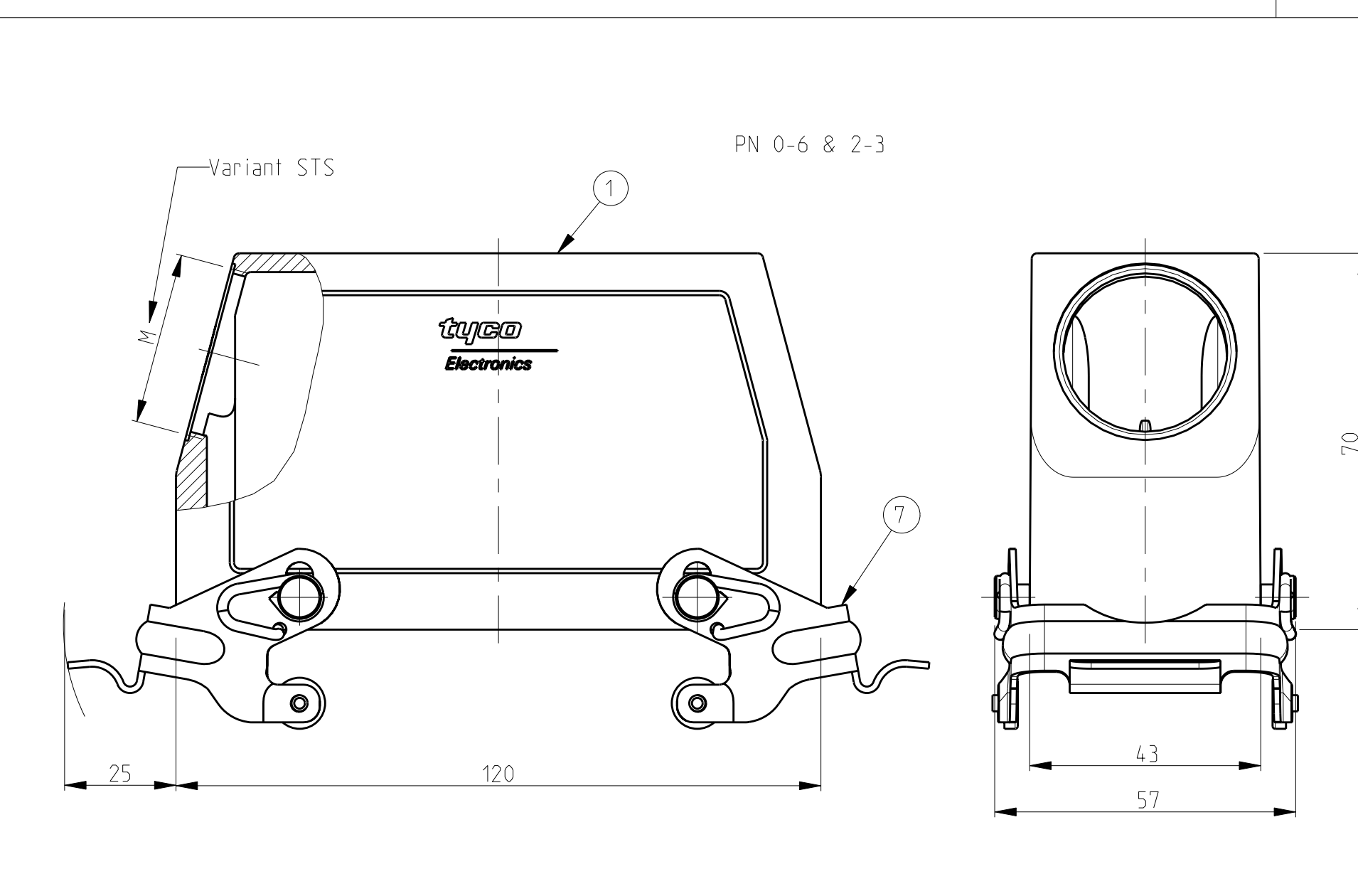
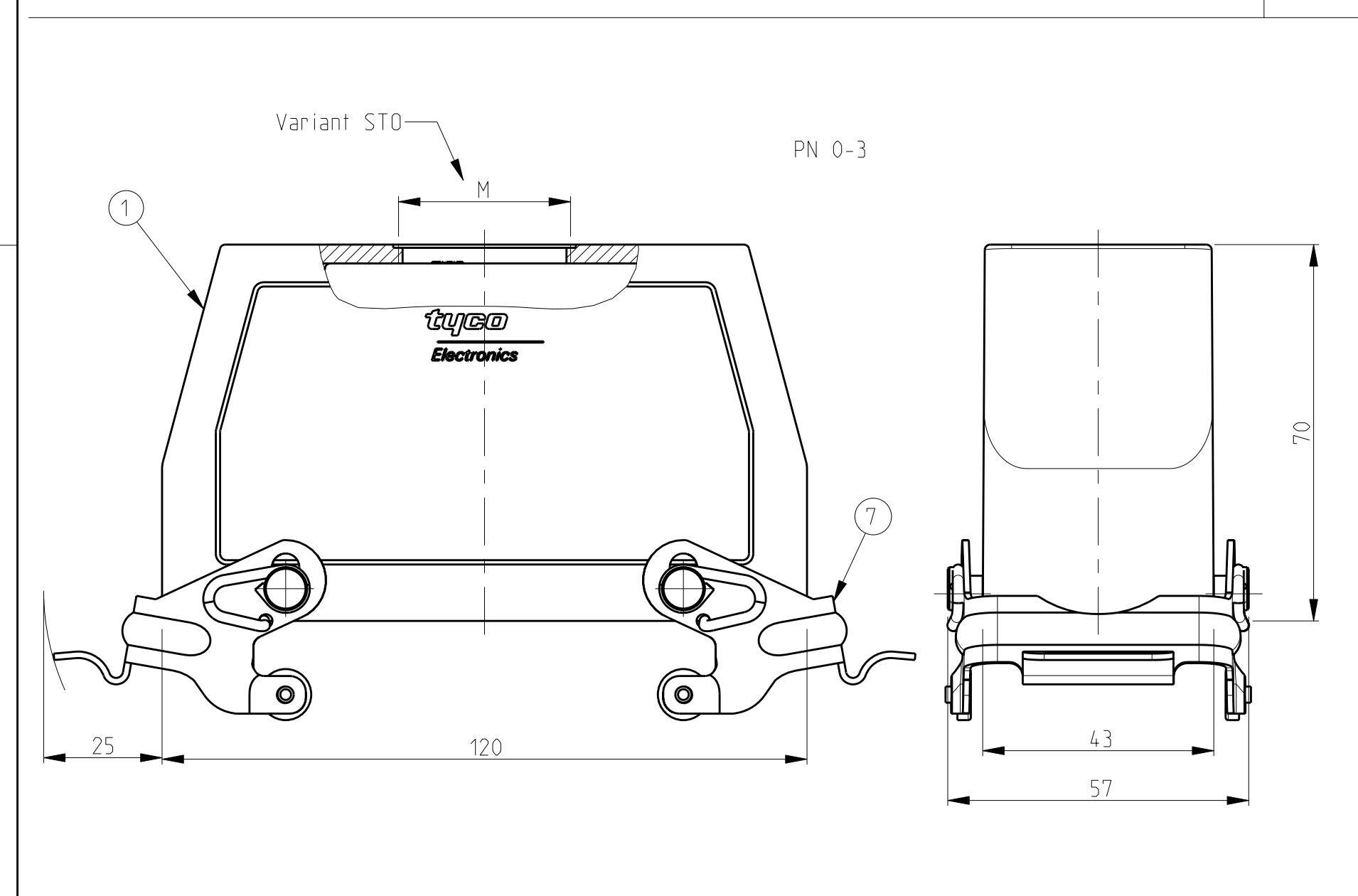
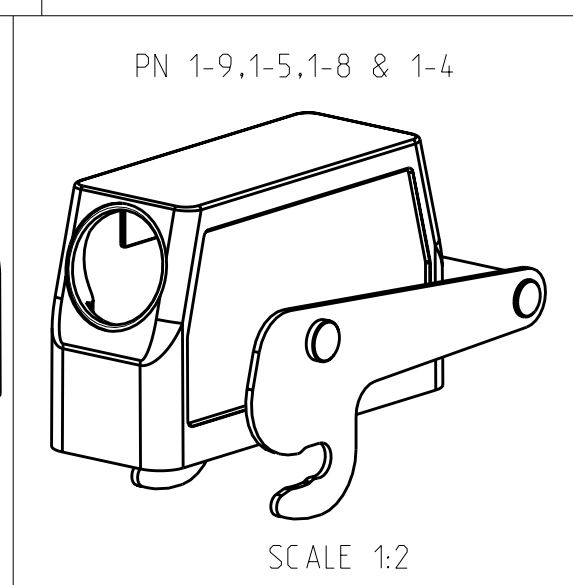
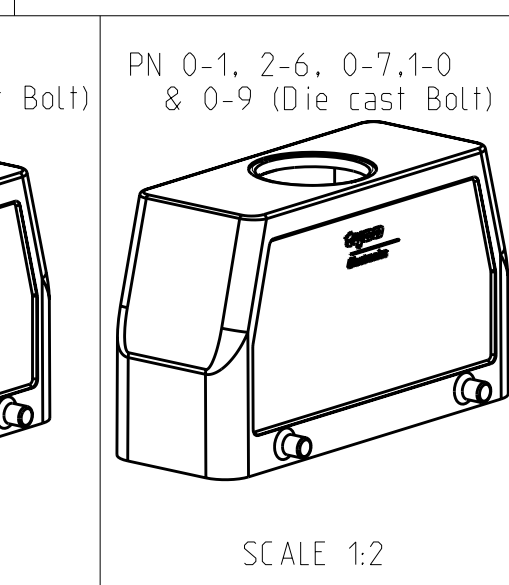
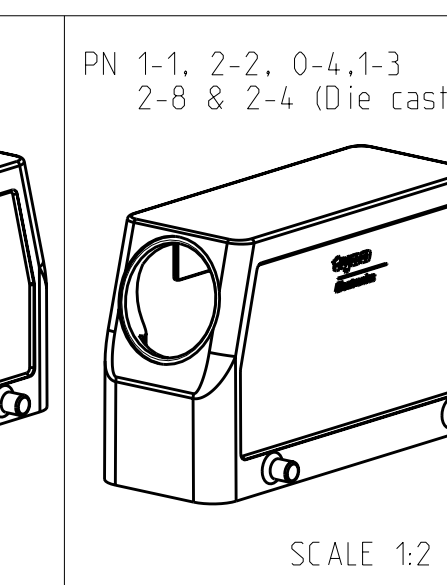
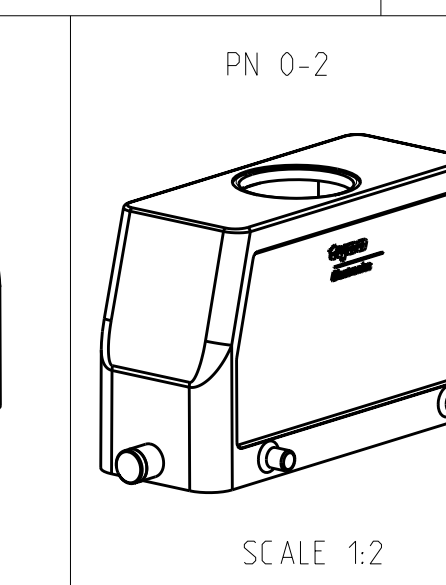
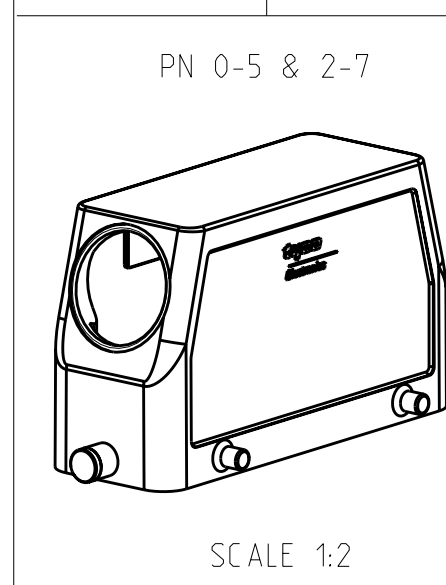
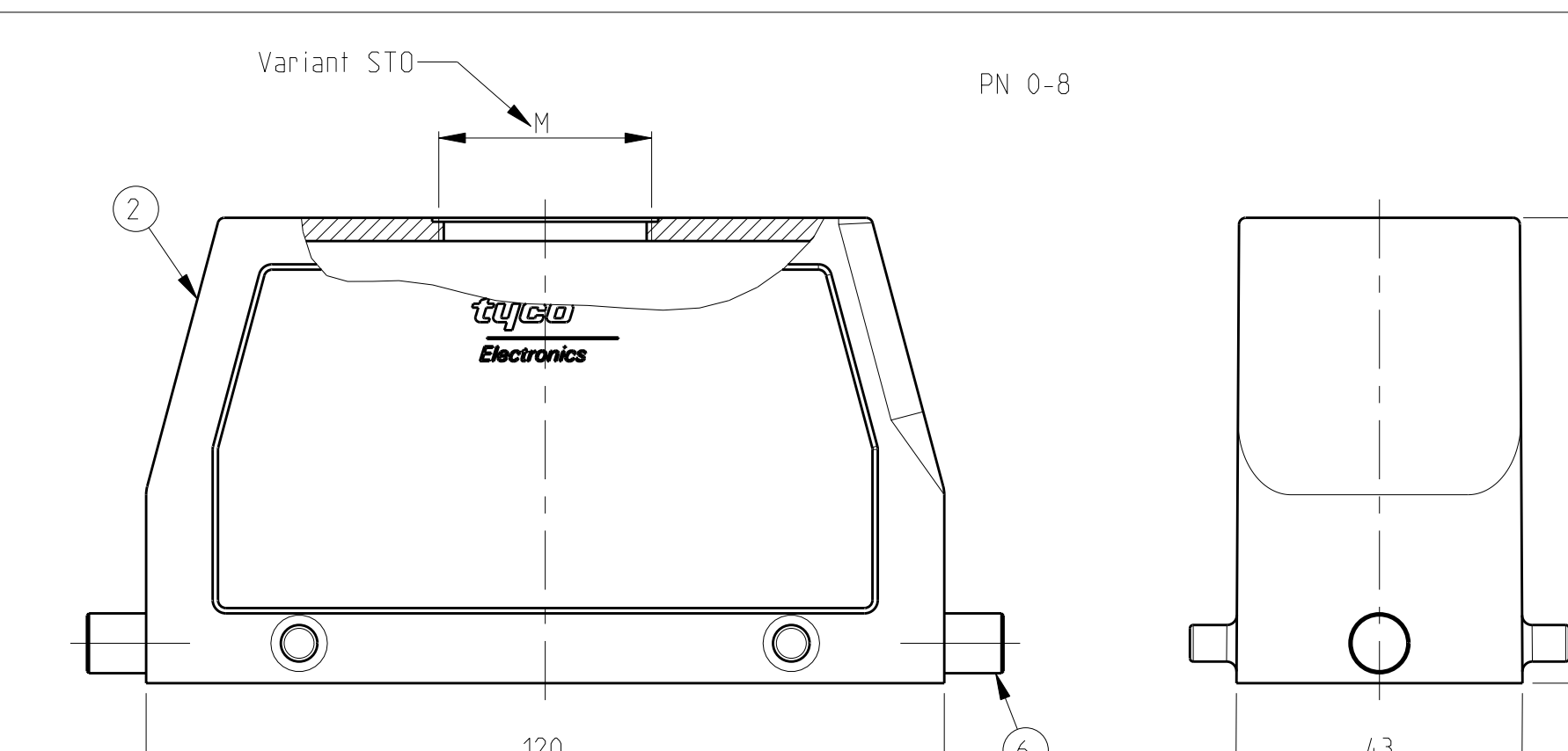
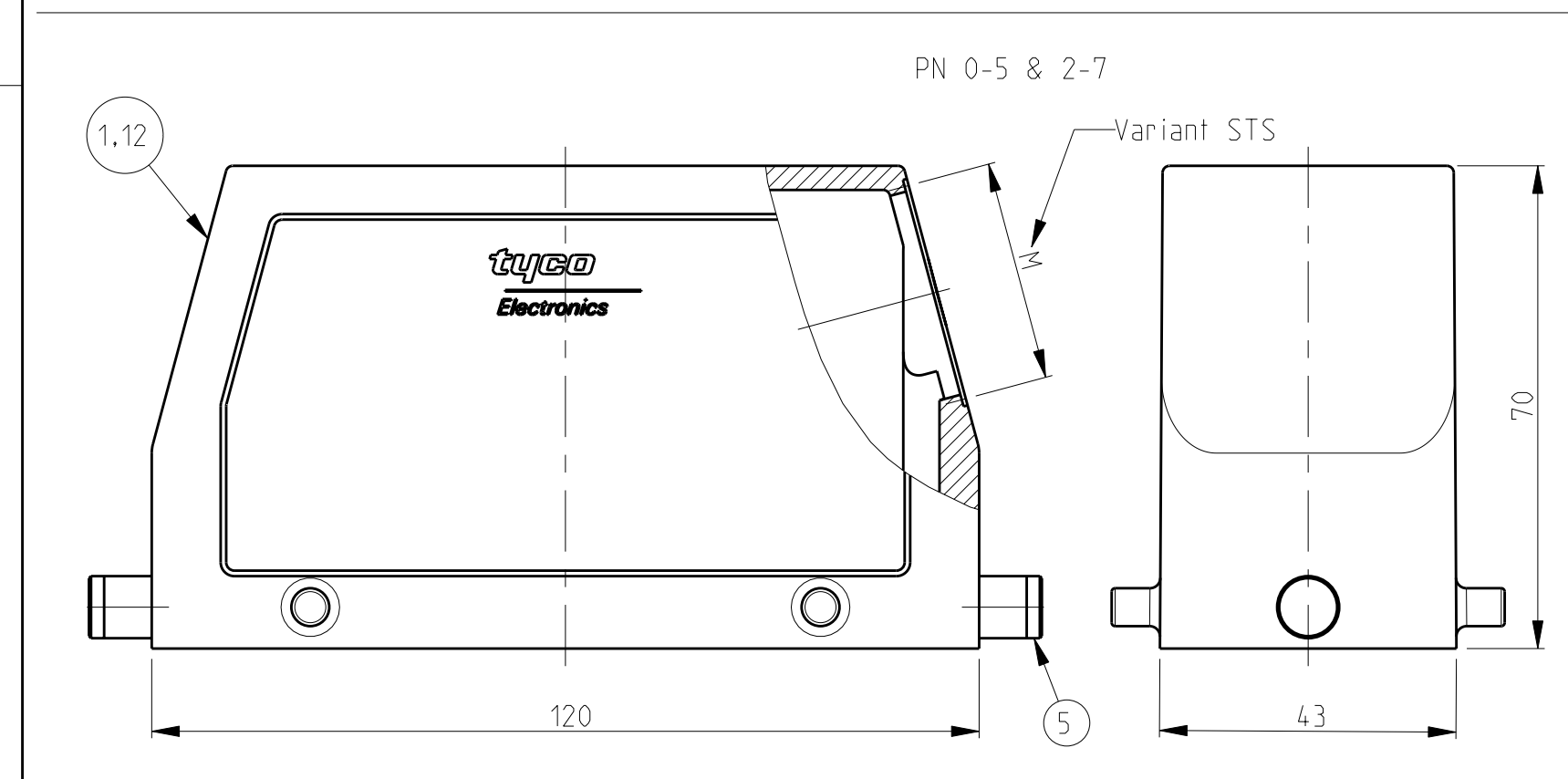
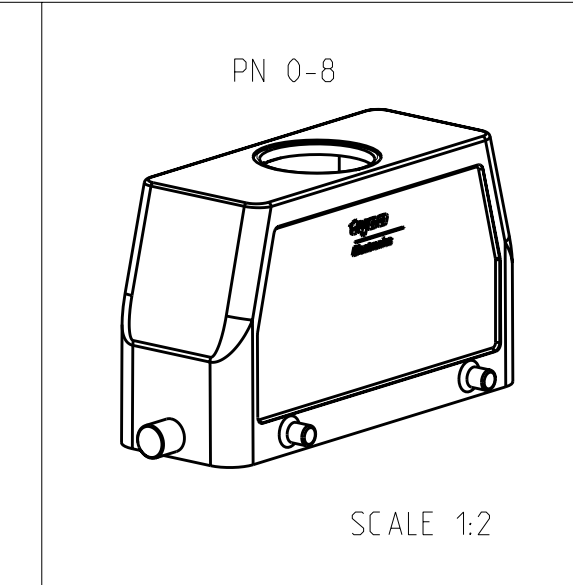
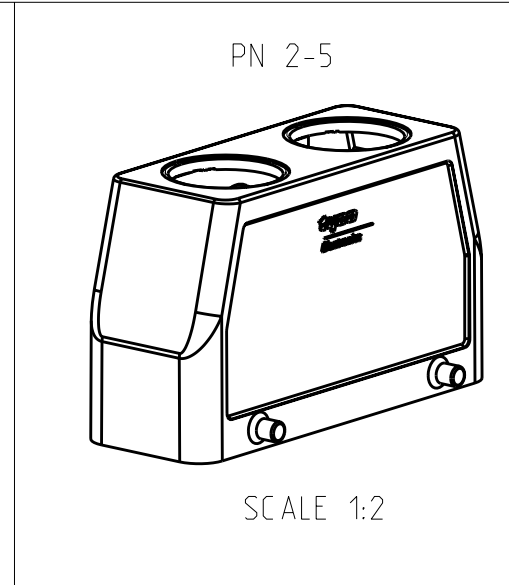
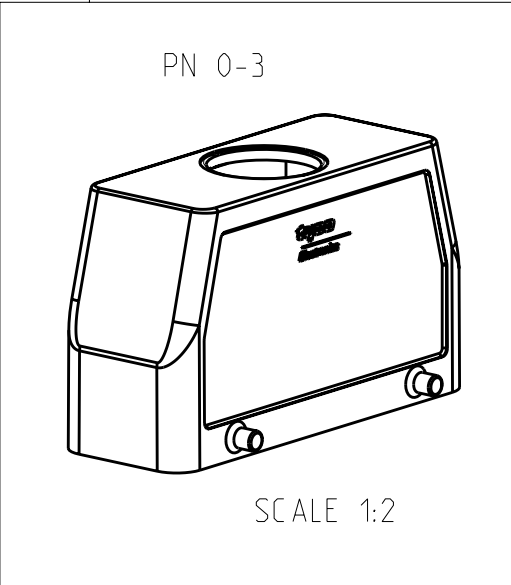
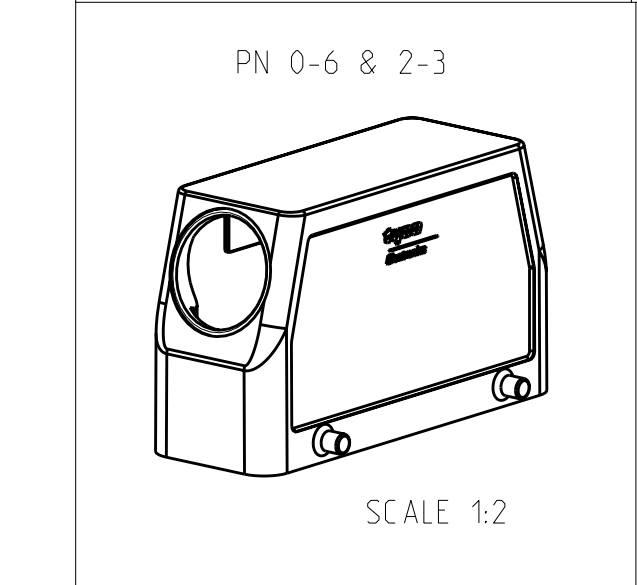
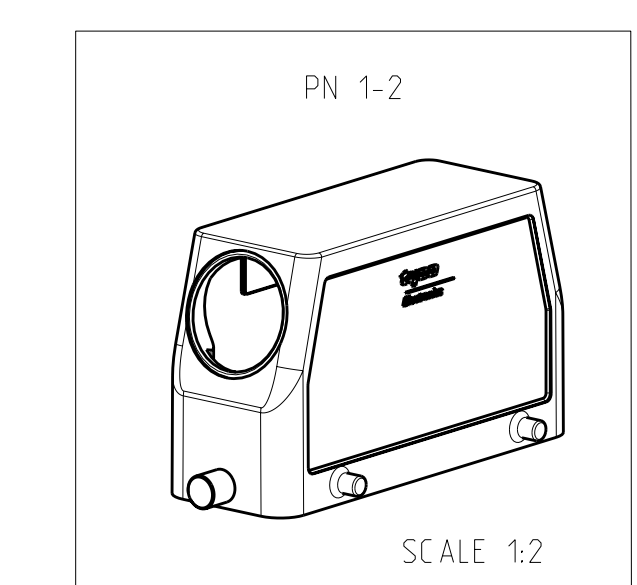
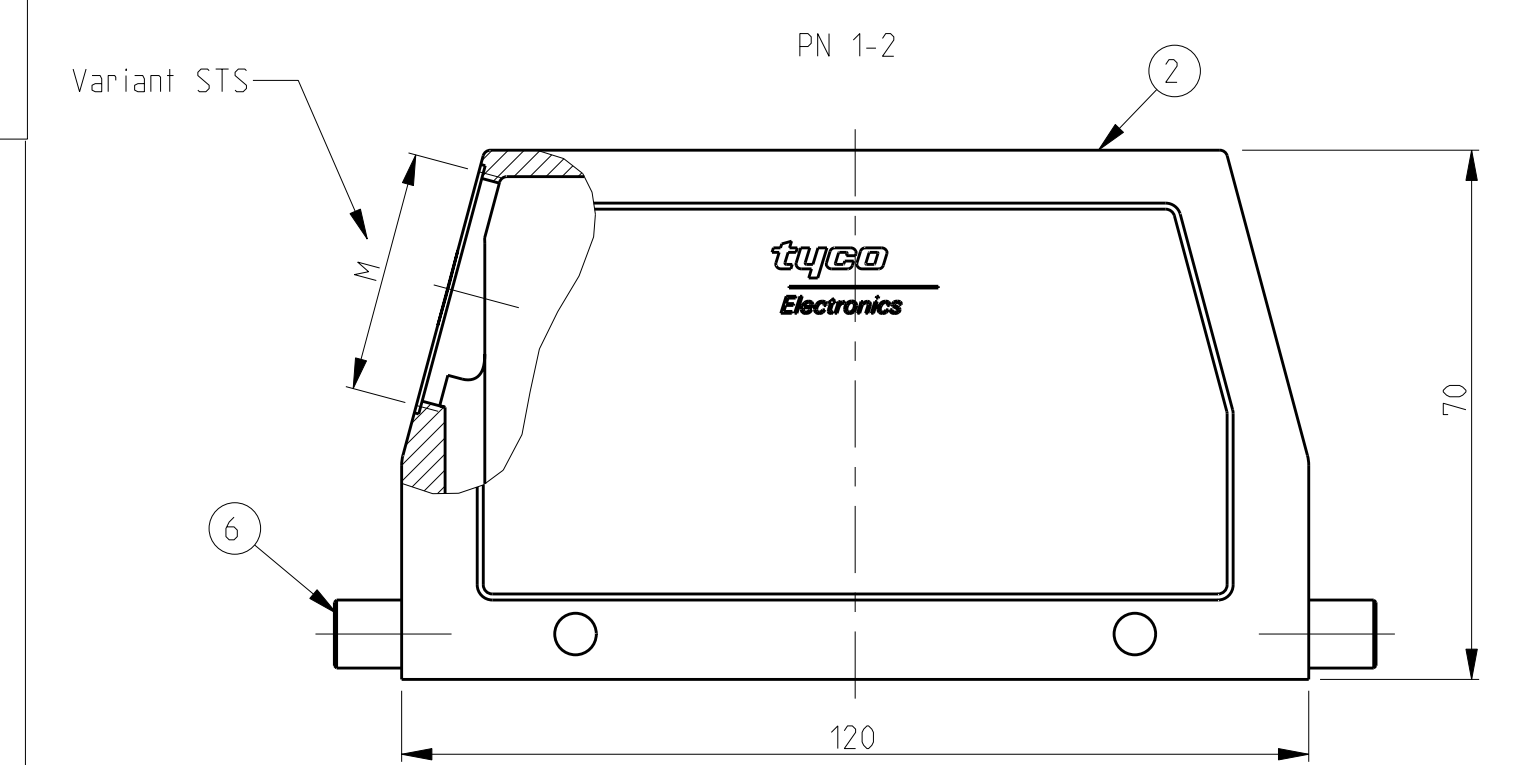
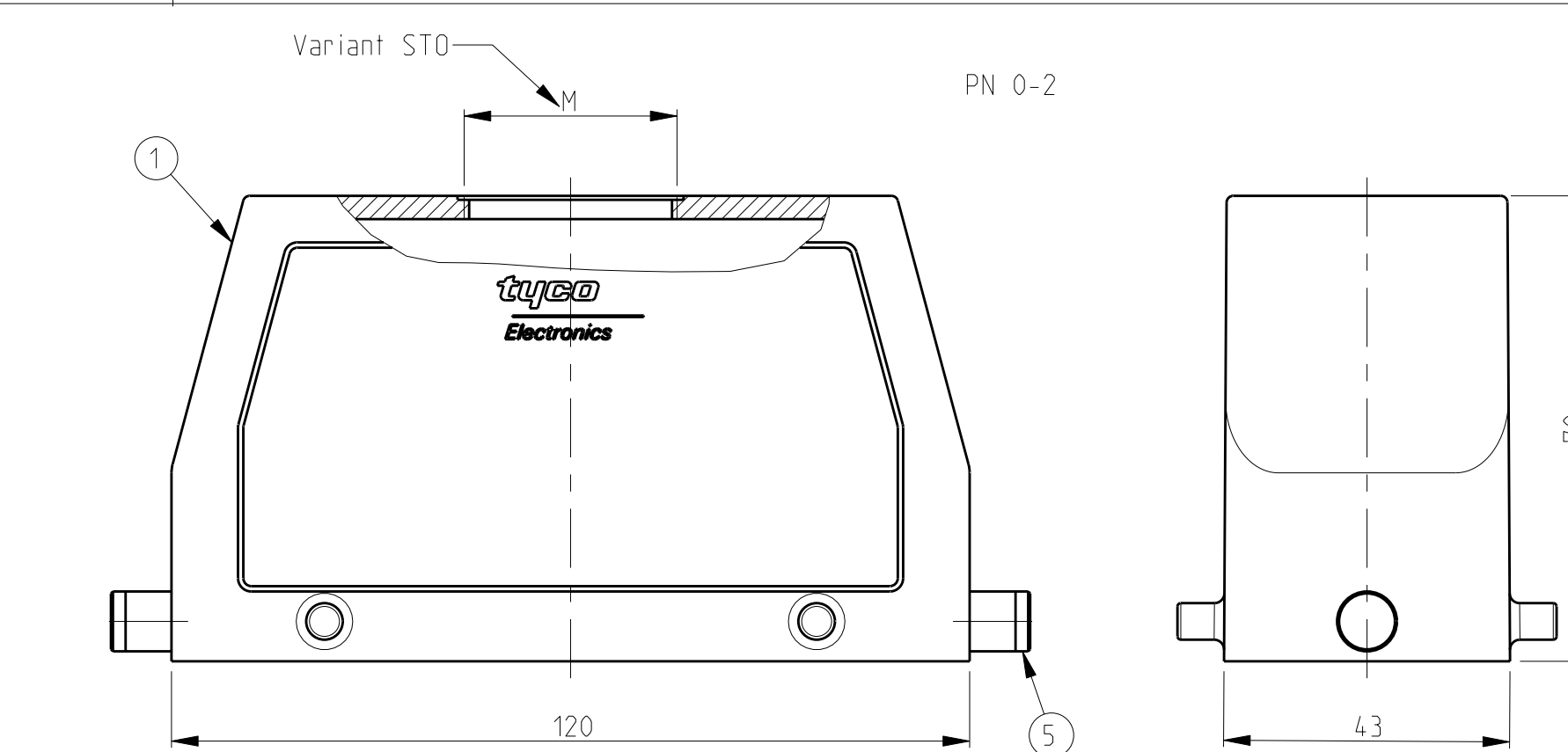
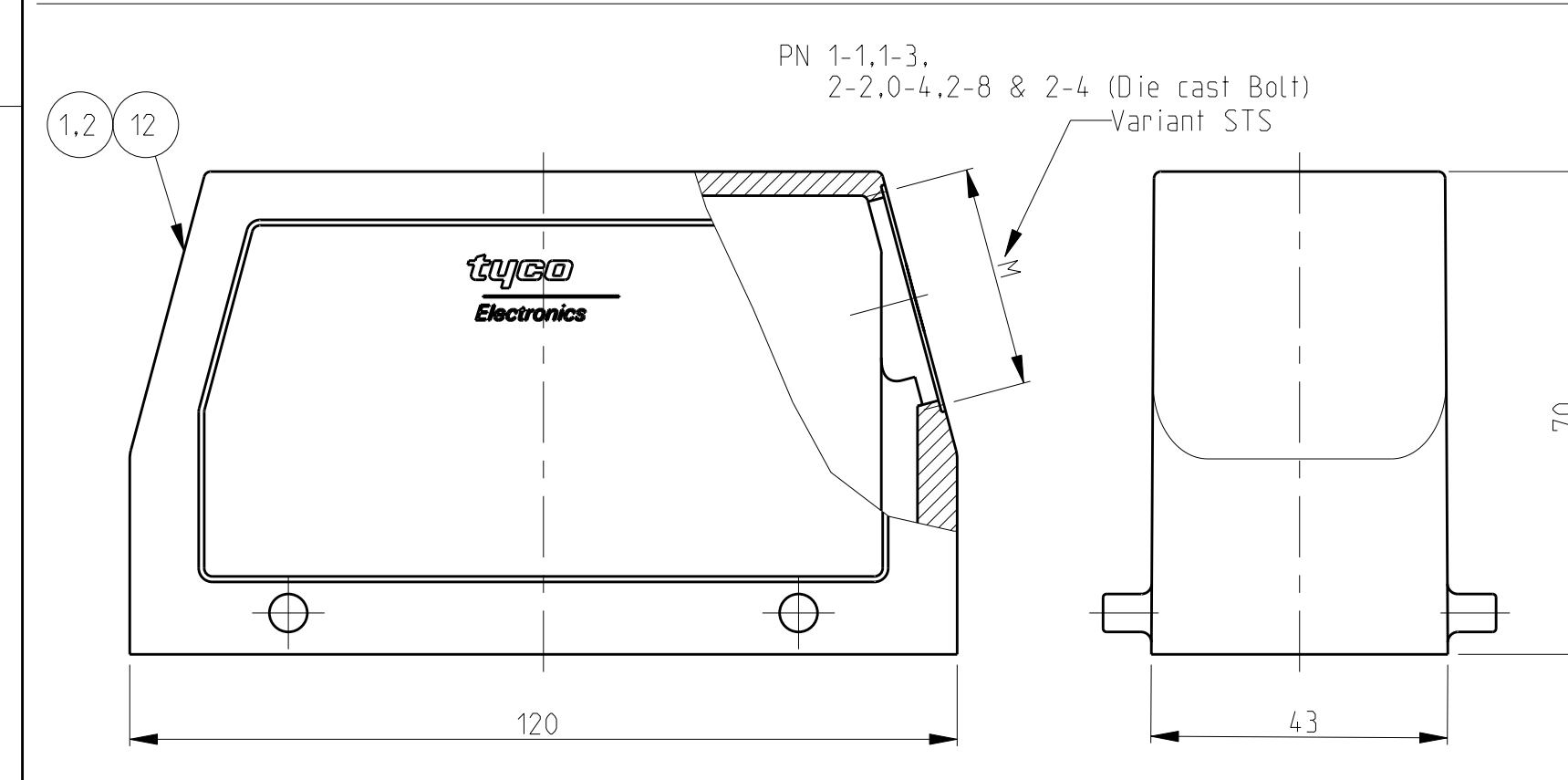


REV. NO.		DESCRIPTION	DATE	DWN	APVD
A	1	Released as per ECR-08-011918	12.May.2008	SP	TS

NOTES:

- Material:Housing:Aluminium Diecasting Alloy
- Surface:Powder Vannish Grey
-Aluminium Oxide +
Vannish Black
-Chromit Passivation +
Vannish Black
- Vannish on the inside not necessary
- Special Packaging
- Packaging
Quantity 5 Pieces in a box



ITEM NO.	QTY	DESCRIPTION	MATERIAL	SURFACE	COLOR	ITEM NO.	NOTES
1	1	HB-EMV Hood	Aluminium	Aluminium Chromated	Black	12	
2	1	HB Hood	Aluminium		Grey	11	2xM32
3	1	ZB Central clip	Stainless Steel	Blank	Grey	10	
4	1	ZB Central clip	Steel	Zinc Plated	Blue	9	
5	1	YS Locking clip	Stainless Steel	Blank	Grey	8	
6	1	YS Locking clip	Steel	Zinc Plated	Blue	7	
7	1	LB Clip bolt	Stainless Steel	Blank	Grey	6	
8	1	LB Clip bolt	Steel	Zinc Plated	Blue	5	
9	1	VS Locking clip bolt	Stainless Steel	Blank	Grey	4	
10	1	VS Locking clip bolt	Steel	Zinc Plated	Blue	3	
11	1	HB-EMV Hood	Aluminium		Grey	1	
12	1	HB Hood	Aluminium	Aluminium Oxide	Black	2	

OBSELETE

DATE: 01.08.2000
DWN: Schneider
CHK: Schwieger
APVD: NAME

PRODUCT SPEC: 108-74001
108-74003
APPLICATION SPEC: 114-74001
114-74004

WEIGHT: -

CUSTOMER DRAWING

SCALE: 1:1 SHEET: 1 OF 1 REV: A9

Tyco Electronics
Tyco Electronics, AMP, GmbH
D-53819, Neunkirchen, Germany

HOOD
HB.24.ST0/STS M-Thread

SIZE: CAGE CODE: DRAWING NO: RESTRICTED TO: C=1106465