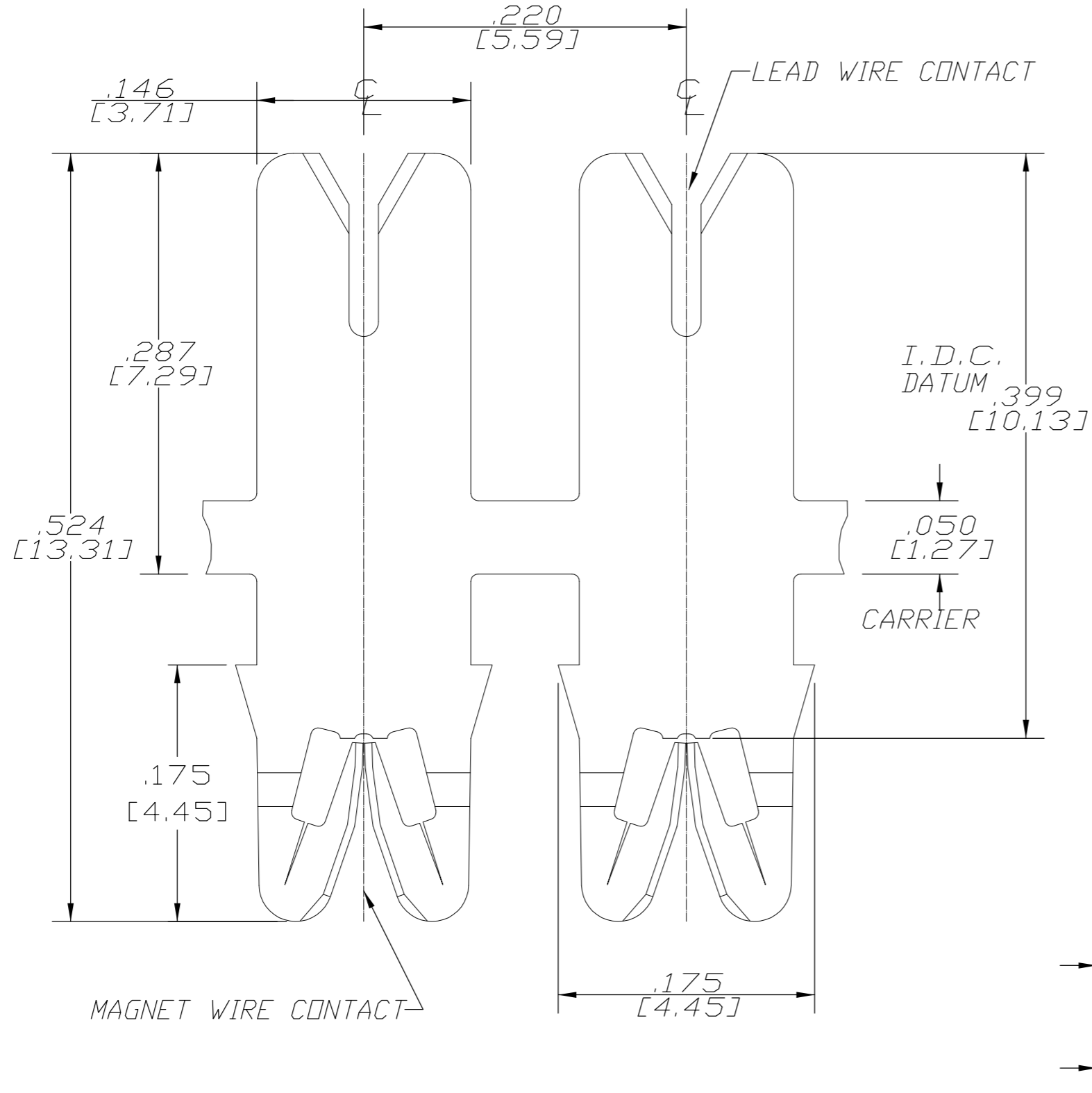
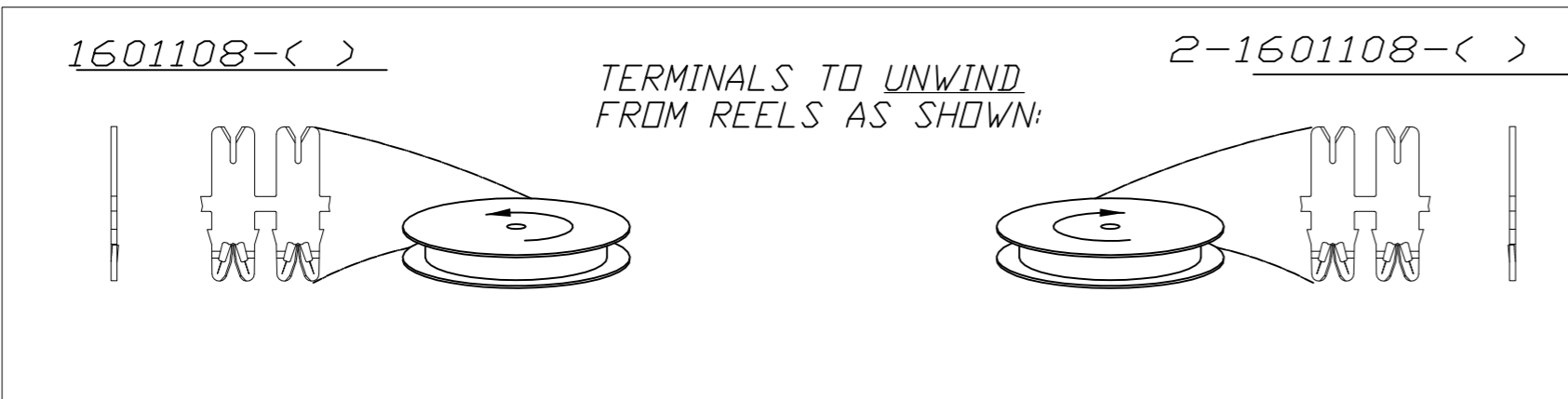
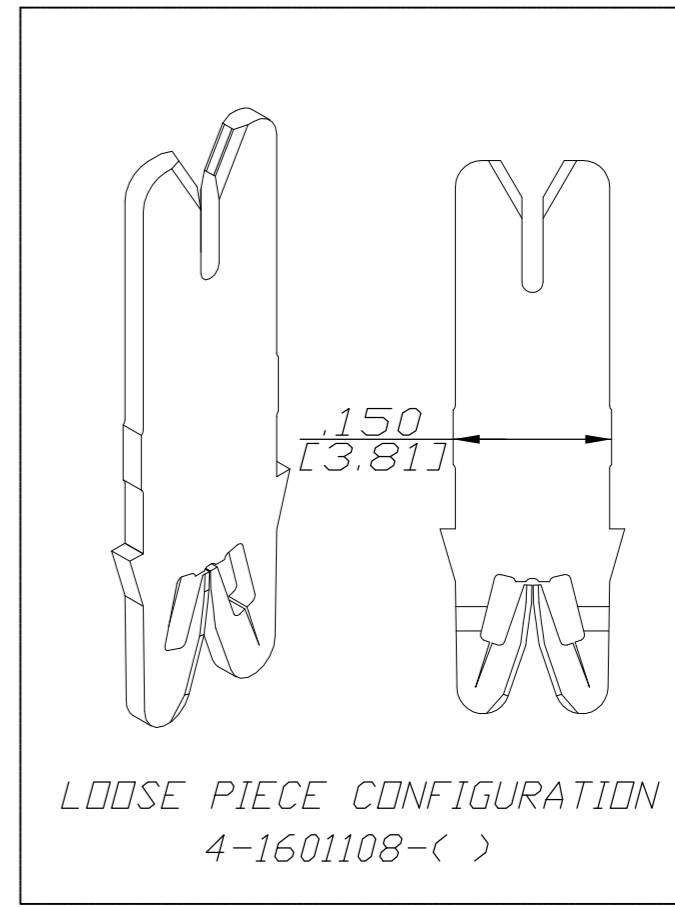


THIS DRAWING IS UNPUBLISHED. RELEASED FOR PUBLICATION
 © COPYRIGHT BY TYCO ELECTRONICS CORPORATION. ALL RIGHTS RESERVED.

LOC	DIST	REVISIONS					
AF	50	P	LTR	DESCRIPTION	DATE	DWN	APVD
		C		REV PER 0G3H-0076-04	23MAR04	JR	KR
		C1		REVISED PER ECO-09-024606	28OCT09	KK	AEG



- SPECIFICATIONS:**
 MAGNET WIRE #18 - #34 AWG,
 .040" (1.02mm) - .006" (0.16mm) DIA.
 OTHER SIZES MAY BE ACCOMMODATED,
 CONSULT TYCO ELECTRONICS FOR APPROVAL.
 LEAD WIRE #20 AWG,
 INSULATED LEAD WIRE.
 MAX INSULATION O.D. .115" (2.9MM)
 NO STRIPPING REQUIRED. OTHER
 SIZES MAY BE ACCOMMODATED,
 CONSULT TYCO ELECTRONICS FOR APPROVAL.
- POCKET RECOMMENDATION:**
 CONSULT TYCO ELECTRONICS
 FOR POCKET RECOMMENDATIONS.
- OBSOLETE PARTS:** OBSOLETE CIS STREAMLINING
 PER D.RENAUD/D.SINISI



3
OBSOLETE

-	-	-
-	-	-
-	-	-
Unplated	031-179-000	-4-1601108-1
Unplated	131-180-000	-2-1601108-1
Unplated	131-179-000	1601108-1
FINISH	REFERENCE PART NUMBER	TYCO PART NUMBER
THIS DRAWING IS A CONTROLLED DOCUMENT.		
DIMENSIONS: INCHES	TOLERANCES UNLESS OTHERWISE SPECIFIED:	DWN J.WELLER 11JAN2002
0 PLC ± -	1 PLC ± -	CHK M.FEHER 11JAN2002
2 PLC ± .01[0.25]	3 PLC ± .005[0.13]	APVD K.RANDOLPH 11JAN2002
4 PLC ± -	ANGLES ± 2°	NAME
MATERIAL BRASS, SPRING HARD	FINISH SEE TABLE	PRODUCT SPEC 108-2085
		APPLICATION SPEC 408-8629
		WEIGHT -
		CUSTOMER DRAWING
Tyco Electronics Corporation Harrisburg, PA 17105-3608		SIZE A2
STD. RANGE WIRE TO EXTENDED 20 AWG. SEMI-RIGID I.D.C. SIAMEZE TERMINAL		CAGE CODE 00779
DRAWING NO. 1601108		DRAWING NO. 1601108
RESTRICTED TO -	SCALE 11:1	SHEET 1 OF 1
		REV C1