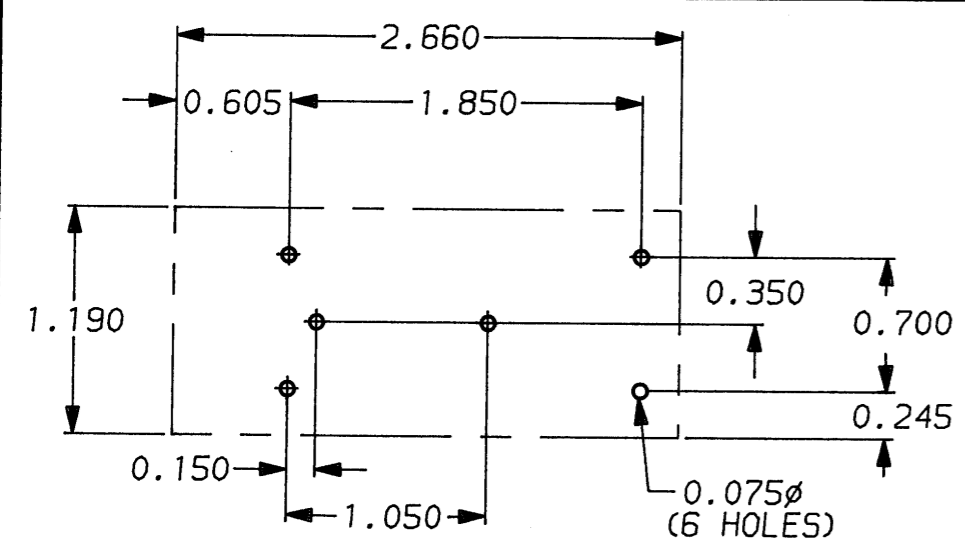
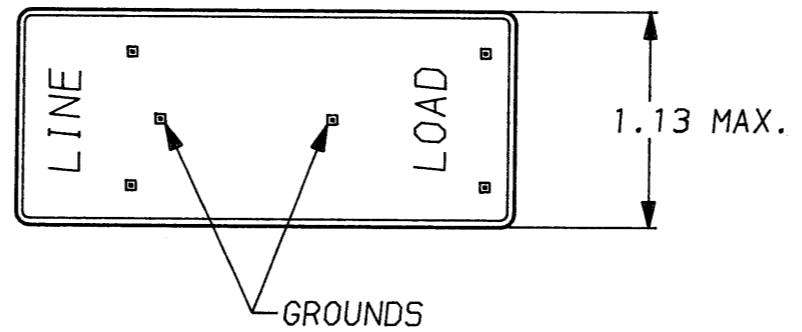
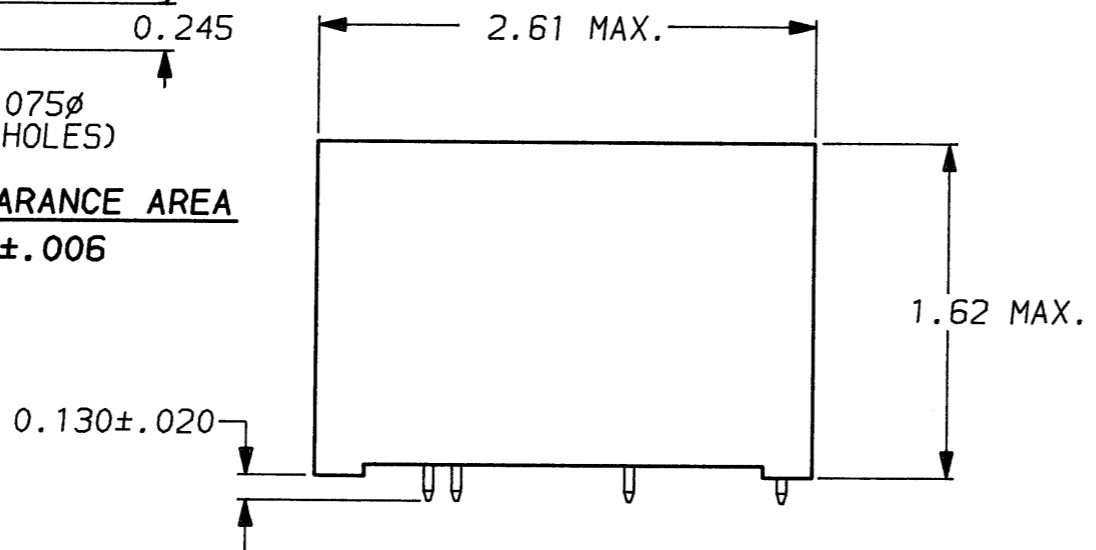


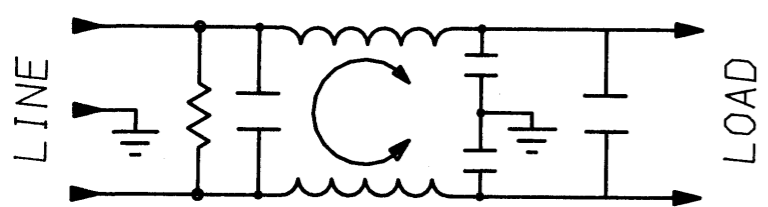
C. Westerbe
 APPROVED BY DATE REV
 7-25-90 2



RECOMMENDED MOUNTING HOLES & CLEARANCE AREA
 TOLERANCE UNLESS SPECIFIED: ±.006



PINS: .065 MAX. DIAGONAL
 (6 PLACES)



SAFETY ORGANIZATION(S):

THIS FILTER HAS BEEN FORMALLY RECOGNIZED, CERTIFIED OR APPROVED BY THE LISTED AGENCY. THEREFORE, ALL TEST/REQUIREMENTS SPECIFIED IN THE LATEST REVISION OF THE FOLLOWING AGENCY STANDARDS HAVE BEEN MET:

- UL RECOGNIZED UL 1283
- CSA CERTIFIED CSA 22.2, NO.0,0.4,8
- VDE APPROVED VDE 565-3

OPERATING SPECIFICATIONS:

- LINE VOLTAGE/CURRENT: 1 AMP., 120/250 VAC
.75 AMP./40°C, 250 VAC
- LINE FREQUENCY: 50-60Hz
- MAX. LEAKAGE CURRENT, EACH LINE TO GROUND: .3mA @ 120V 60Hz
.5mA @ 250V 50Hz
- OPERATING AMBIENT TEMP. RANGE: -10°C TO +60°C @ RATED CURRENT, I_r

IN AN AMBIENT, T_a, HIGHER THAN 60°C, THE MAXIMUM OPERATING CURRENT, I_o, IS AS FOLLOWS:

$$I_o = I_r \sqrt{\frac{85 - T_a}{25}}$$

RELIABILITY SPECIFICATIONS:

- STORAGE TEMPERATURE: -40°C TO +85°C
- HUMIDITY: 21 DAYS @ 40°C 95% RH
- CURRENT OVERLOAD TEST: 6 TIMES RATED CURRENT FOR 8 SECONDS

TEST SPECIFICATIONS:

- INDUCTANCE: 21.2mH NOMINAL
- CAPACITANCE: (MEASURED @ 1 KHz, 0.25 VAC MAX., 25°C ±1°C)
LINE TO GROUND: 8000pF ±20%
LINE TO LINE: .54µF ±20%
- DISCHARGE RESISTOR: 560 KΩ
- LINE/GROUND AND LINE/LINE: 6000 MΩ (MIN) AT 100 VDC
- INSULATION RESISTANCE (WITHOUT DISCHARGE RESISTOR): 20°C AND 50% RH

RECOMMENDED RECEIVING INSPECTION HIPOT:

- LINES TO GROUND: 2250 VDC FOR 1 MINUTE
- LINE TO LINE: 1450 VDC FOR 1 MINUTE

FILTER APPROVAL:

THE BEST WAY TO SELECT AND QUALIFY A FILTER IS FOR YOUR ENGINEERING TO TEST THE UNIT IN YOUR EQUIPMENT.

50Ω - 50Ω (MINIMUM) INSERTION LOSS											
FREQUENCY MHz	.01	.02	.03	.05	.07	.15	.50	1	5	10	30
COMMON dB	18	23	27	32	35	43	47	44	43	43	45
DIFF. dB	-	7	19	34	43	62	70	70	70	60	55

TOLERANCE EXCEPT AS NOTED
 DECIMAL: .XXX .XX .X ANGLES ± 1°
 ENGLISH: ±.025
 METRIC: ± —
 MATERIAL: AS SUPPLIED



POWER LINE FILTER

This document is proprietary to CORCOM INC. and is not to be reproduced nor used for manufacturing purposes except on CORCOM's order or prior written consent.

FINISH:

SCALE: NTS DATE: 2-5-87 DRG. NO.: 1E2P.02 REV.:
 DRW. BY: LJD ORIGINATOR: CFW