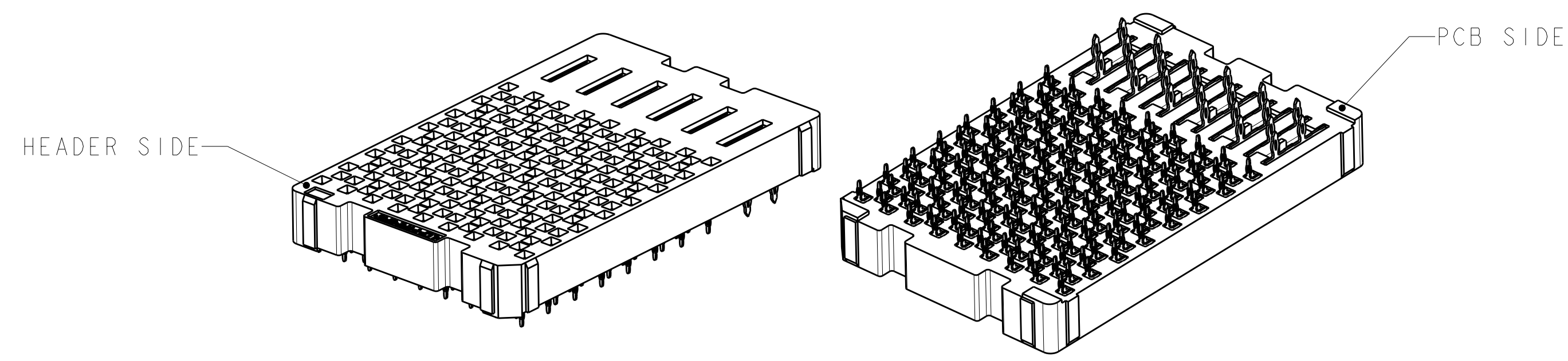
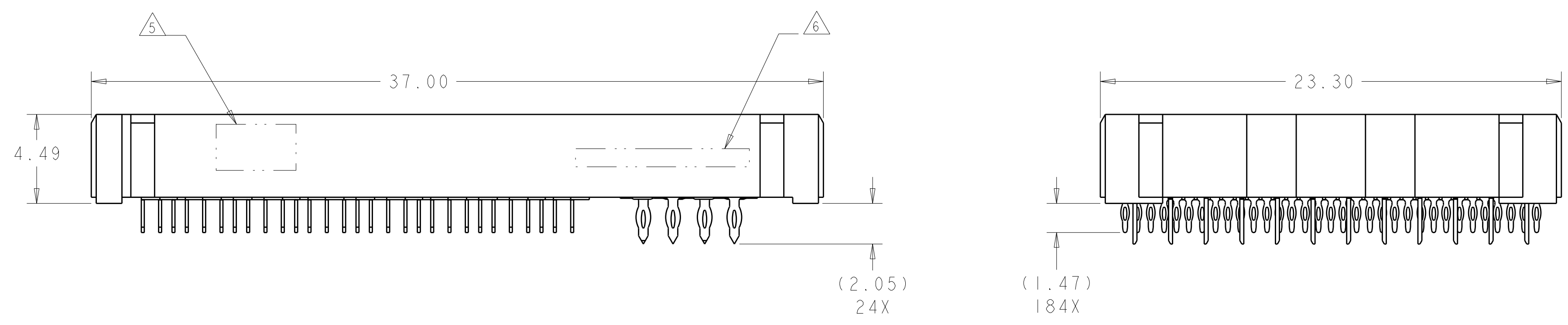
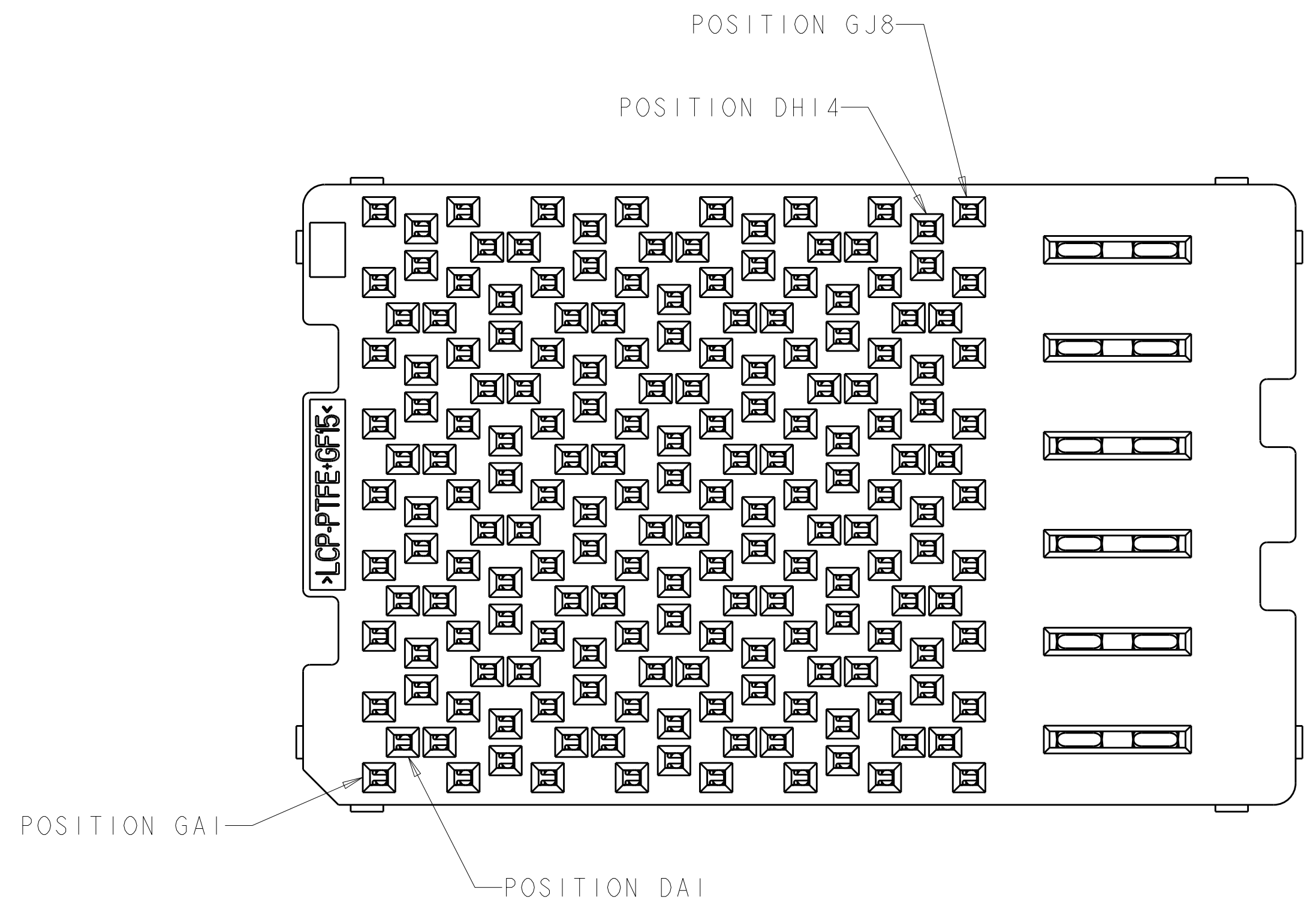


| LOC | DIST | REVISIONS | | | |
|-----|------|-----------|-----------|-----|------|
| GP | 00 | REV | DATE | BY | APPD |
| | | 15 | 18MAR2011 | RK | HMR |
| | | 16 | 02MAY2011 | WS | MH |
| | | 17 | 10MAY2012 | REH | DT |



- 1 MATERIAL:
HOUSING: THERMOPLASTIC, FLAMMABILITY RATING UL94-V0
CONTACT: COPPER ALLOY
- 2. CONFORMS TO THE REQUIREMENTS OF TE PRODUCT SPECIFICATION, 108-2375; BASED ON TELCORDIA GR-1217-CORE FOR SYSTEM QUALITY LEVEL III, APPLICATIONS IN CONTROLLED ENVIRONMENTS (CENTRAL OFFICE).
SEE TE CONNECTIVITY PRODUCT SPECIFICATION 108-2375 FOR TEST SEQUENCES.
- 3 ROWS GA THRU GJ (SHOWN DARKENED) ARE TYPICALLY USED AS GROUNDS.
- 4 SPECIFIED POSITIONAL TOLERANCE DEFINES HOLE TO HOLE LOCATION WITHIN HOLE PATTERN. POSITIONAL TOLERANCE OF HOLE PATTERN TO FIDUCIAL MARKS OR PCB DATUMS SHALL BE DEFINED BY CUSTOMER.
- 5 AREA RESERVED FOR TE CONNECTIVITY LOGO.
- 6 AREA RESERVED FOR PART NUMBER (X-XXXXXX-X) AND DATE CODE (YYWW).
- 7 USE CENTERLINES INDICATED ON PCB HOLE PATTERN TO ESTABLISH ALIGNMENT BETWEEN HEADER AND RECEPTACLE BOARDS.
- 8 PLATED THROUGH HOLE REQUIREMENTS - SIGNAL:
HOLE SIZE PRIOR TO PLATING = $\varnothing 0.420 \pm 0.013$
COPPER PLATING THICKNESS = 0.038 ± 0.013
CALCULATED FINISHED HOLE SIZE = $\varnothing 0.344 \pm 0.039$
THESE DIMENSIONS APPLY TO THE TOP 1.25mm OF THE PCB THICKNESS FROM THE CONNECTOR MOUNTING SIDE.
- 9 PLATED THROUGH HOLE REQUIREMENTS - POWER:
HOLE SIZE PRIOR TO PLATING = $\varnothing 0.700 \pm 0.025$
COPPER PLATING THICKNESS = 0.038 ± 0.013
CALCULATED FINISHED HOLE SIZE = $\varnothing 0.624 \pm 0.051$
THESE DIMENSIONS APPLY TO THE TOP 1.50mm OF THE PCB THICKNESS FROM THE CONNECTOR MOUNTING SIDE.



SIZE 2 HOUSING *
56 DIFFERENTIAL PAIRS
184 TOTAL SIGNAL CONTACTS
6 POWER CONTACTS

* SIZE 1 AND SIZE 3 ARE ALSO AVAILABLE

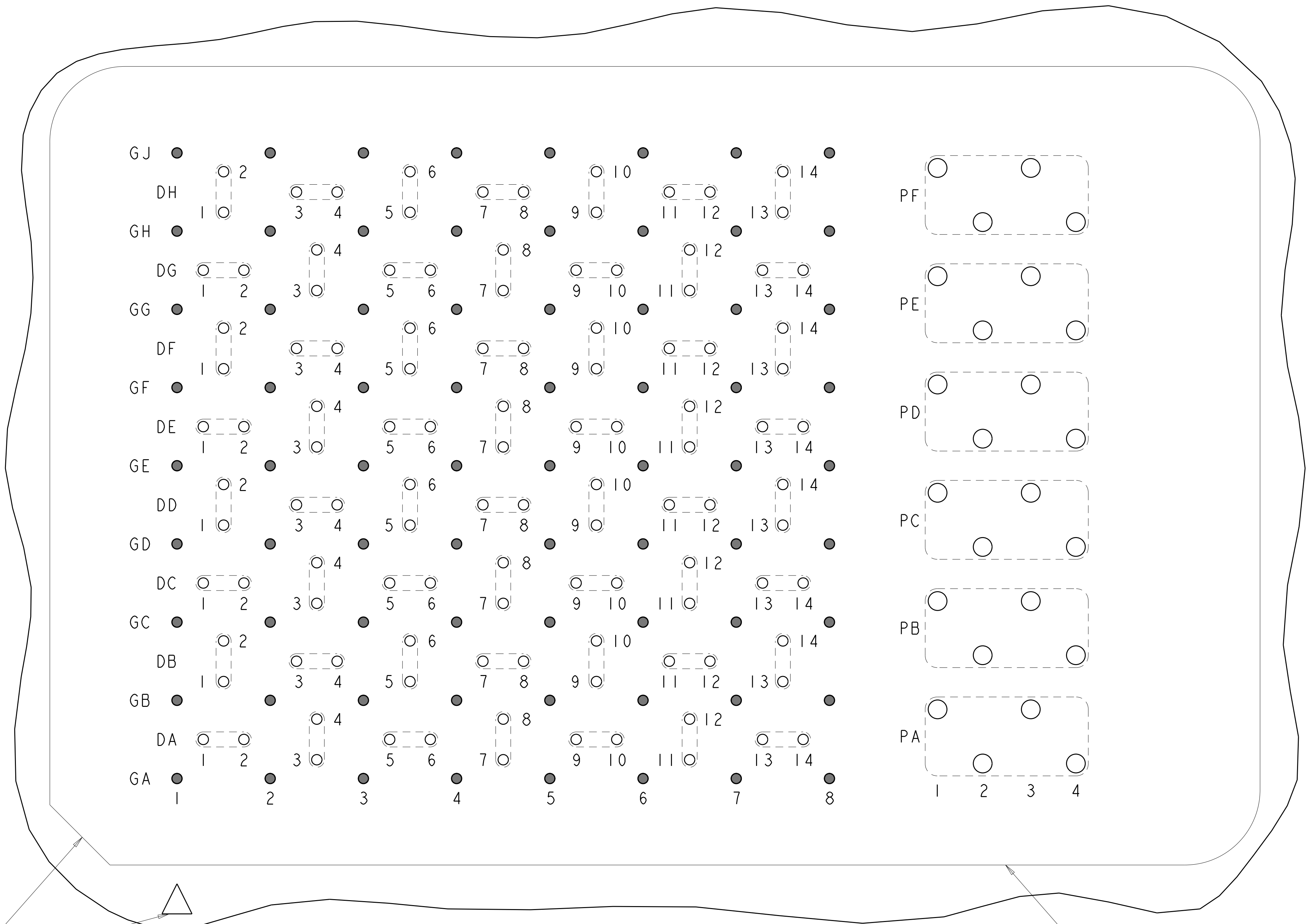
THIS PRODUCT HAS NOT COMPLETED VALIDATION AND QUALIFICATION TESTING

| | | |
|--------|----------------------|-------------|
| YES | MATTE Sn | 5-2057461-1 |
| | Sn/Pb | 2057461-1 |
| TOOLED | CONTACT TAIL PLATING | PART NUMBER |

| | | | |
|-----------------------|--|---|--|
| DIMENSIONS: mm | TOLERANCES UNLESS OTHERWISE SPECIFIED: 9 PLC ± 2 PLC ±0.13 5 PLC ±0.013 4 PLC ± ANGLES ± FINISH #1 | DWN D. RINGLER 04SEP2008 CHK D. TROUT 04SEP2008 APVD J. FEDDER 04SEP2008 NAME PRODUCT SPEC 108-2375 APPLICATION SPEC 114-13249 WEIGHT CUSTOMER DRAWING | DWN D. RINGLER 04SEP2008 CHK D. TROUT 04SEP2008 APVD J. FEDDER 04SEP2008 NAME RECEPTACLE ASSEMBLY 56/184/6P STRADA MESA MEZZANINE CONNECTOR SIZE CAGE CODE DRAWING NO A1100779C=2057461 RESTRICTED TO |
|-----------------------|--|---|--|

SCALE 4:1 SHEET 1 OF 3 REV 17

| LOC | DIST | REVISIONS | | | |
|-----|------|-----------|-------------|----|------|
| GP | 00 | REV | DATE | BY | APPD |
| | | 1 | SEE SHEET 1 | | |



A1 CORNER INDICATORS.

PCB LAYOUT AND PIN IDENTIFICATION

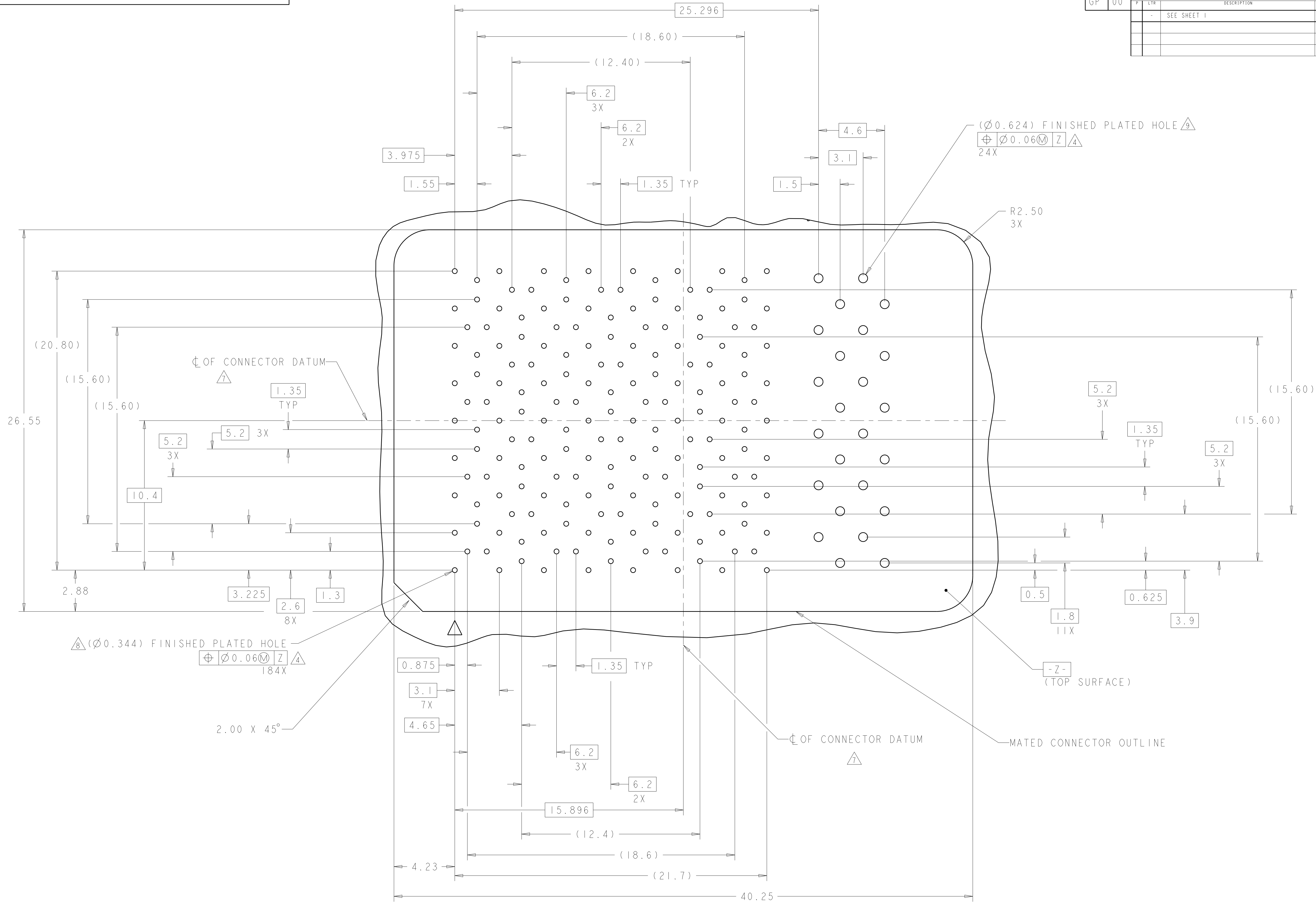
SHOWN FROM CONNECTOR SIDE
SCALE 12:1

MATED CONNECTOR OUTLINE
SEE SHEET 3 FOR LOCATION TO HOLES

| | | | | |
|--|--|--------------------------------|--------------------------|--|
| THIS DRAWING IS A CONTROLLED DOCUMENT. | | DWN D. RINGLER 04SEP2008 | | TE Connectivity |
| DIMENSIONS: mm | | CHK D. TROUT 04SEP2008 | | NAME RECEPTACLE ASSEMBLY 56/184/6P |
| TOLERANCES UNLESS OTHERWISE SPECIFIED: | | APVD J. FEDDER 04SEP2008 | PRODUCT SPEC 108-2375 | RESTRICTED TO |
| <ul style="list-style-type: none"> 9 PLC ± 5 PLC ±0.13 5 PLC ±0.013 4 PLC ± ANGLES ± FINISH #1 | | APPLICATION SPEC 114-13249 | SIZE A100779 | DRAWING NO C=2057461 |
| MATERIAL | | WEIGHT | CUSTOMER DRAWING | SCALE 4:1 SHEET 2 OF 3 REV 17 |

| LOC | DIST | REV | DATE | BY | APPD |
|-----|------|-----|------|----|------|
| GP | 00 | | | | |

| REVISIONS | | | |
|-----------|------|----|------|
| REV | DATE | BY | APPD |
| 1 | | | |



PCB HOLE PATTERN
 SHOWN FROM CONNECTOR SIDE
 SCALE 8:1

| | | | |
|--|--|--------------------------------|--|
| THIS DRAWING IS A CONTROLLED DOCUMENT. | | DWN D. RINGLER 04SEP2008 | TE Connectivity |
| DIMENSIONS: mm | | CHK D. TROUT 04SEP2008 | |
| TOLERANCES UNLESS OTHERWISE SPECIFIED: | | APVD J. FEDDER 04SEP2008 | NAME RECEPTACLE ASSEMBLY 56/184/6P |
| 0 PLC ± 1 PLC ±0.13 3 PLC ±0.013 4 PLC ± ANGLES ± FINISH #1 | | PRODUCT SPEC 108-2375 | SIZE STRADA MESA MEZZANINE CONNECTOR |
| MATERIAL | | APPLICATION SPEC 114-13249 | RESTRICTED TO |
| | | WEIGHT | A1100779C=2057461 |
| | | CUSTOMER DRAWING | SCALE 4:1 SHEET 3 OF 3 REV 17 |