

A

B

C

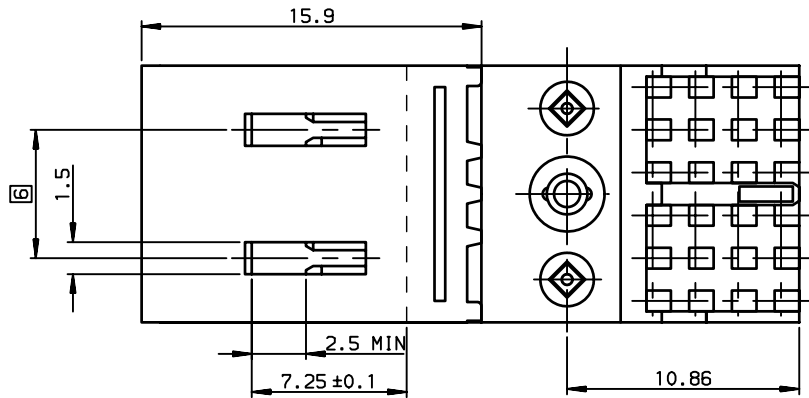
D

A

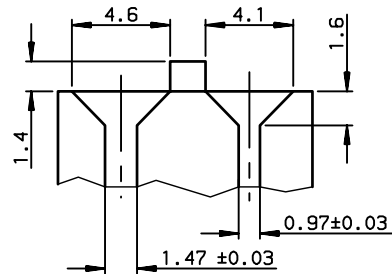
B

C

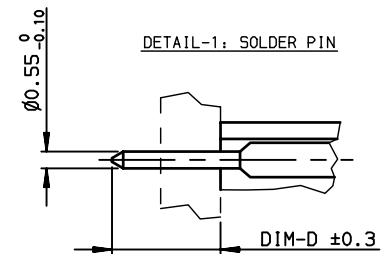
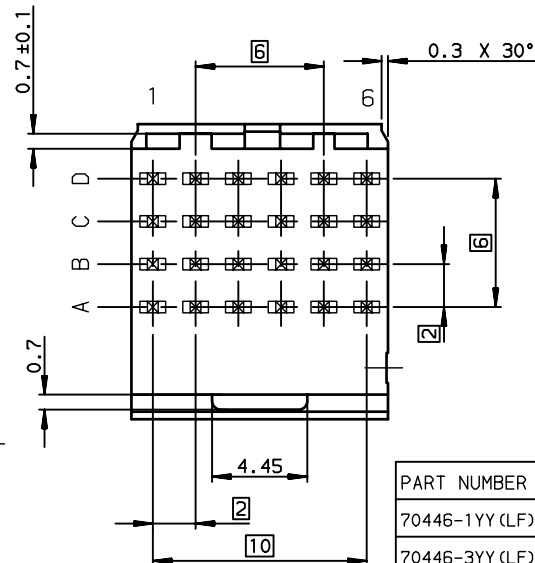
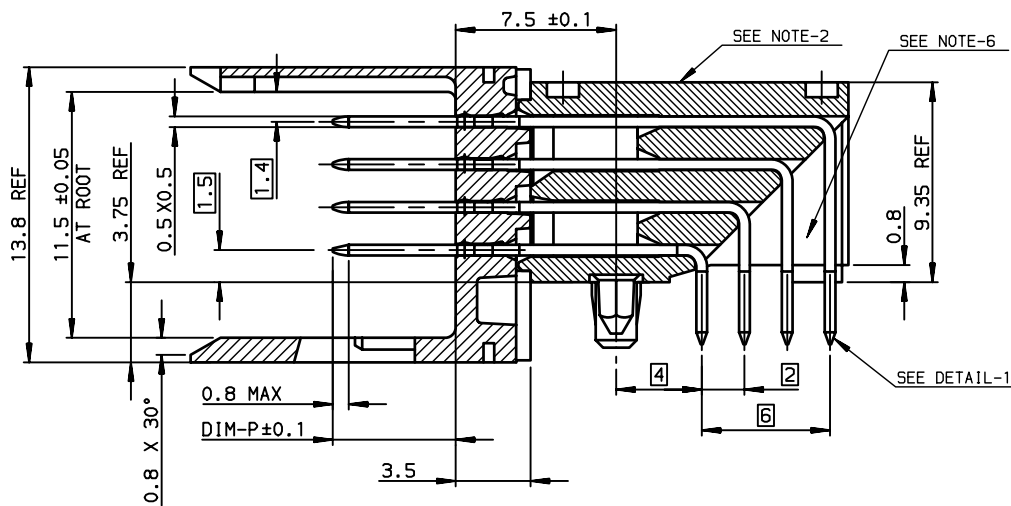
D



DETAIL-3: MATING SLOTS



- NOTE-1: GENERAL CHARACTERISTICS ACCORDING TO GS-12-446
- NOTE-2: ONE CENTER PEG FOR HOLD DOWN FORCE
- NOTE-3: NO CODING RECESS FOR EXTENDED KEYS
- NOTE-4: PRODUCT MARKING = PRODUCT NUMBER + FCI+DATE CODE
- NOTE-5: PLATING ON MATING PART ; SEE PRODUCT NUMBER
- NOTE-7: STANDARD PACKAGING IS TUBE ,BUT IF SUFFIX "P" IS ADDED IN P/N,PACKAGING IS IN TRAYS,MARKING IS WITHOUT "P"
Example: 70446-1xxPLF ,marking 704456-1xxLF



| PART NUMBER | PERFORMANCE LEVEL |
|---------------|--|
| 70446-1YY(LF) | STANDARD P/N, See Prod. Spec GS-12-446 |
| 70446-3YY(LF) | CUSTOMER SPECIAL , Specific Plating |
| 70446-xYY(LF) | |

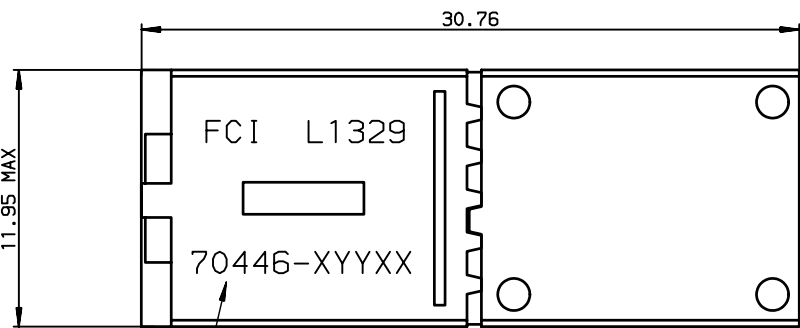
GENERAL CHARACTERISTICS AND ROHS INFORMATIONS
See **PRODUCT SPECIFICATION : GS-12-446**

OTHERS INFORMATIONS,SEE DRW 70446-2/-3

European Views

| | | | | | | |
|---------------------------------------|--------|--|-----------------------------------|-------------------|-----------|------------------|
| www.fciconnect.com | | surface ISO 1302 ✓ | tolerance std ISO 406 ISO 1101 | projection mm | | |
| TOLERANCES UNLESS OTHERWISE SPECIFIED | | | | | | |
| Dr | FETROW | 1998/06/09 | ANGULAR | | | |
| Eng | LENOIR | 1998/06/09 | LINEAR | 0.X | ±0.1 | ECN LS07-0245 |
| Chr | LEGARE | 1998/06/09 | | 0.XX | ±0.1 | |
| Appr | LEGARE | 1998/06/09 | 0.XX* | ±2* | ±0.1 | Spec ref - |
| Product family | | | | METRAL | | |
| | | METRAL RA HDR STB CONVERG NB 4x6 - 1 MODULE- SPECIAL LOADING | | dwg no 70446-1 | Rev. J | |
| catalog no | | | | CUSTOMER | | sheet 1 of 3 |

| rev | ecn no | dr | date |
|-----|-----------|-----|------------|
| E | - | PCH | 2004/01/14 |
| F | LS05-0056 | LGO | 2005/07/06 |
| G | LS06-0114 | LGO | 2006/08/10 |
| H | LS07-0134 | MLE | 2007/05/14 |
| J | LS07-0245 | MLE | 2007/09/27 |
| - | - | - | - |
| - | - | - | - |



Copyright FCI.

| | | | | | | | | | | | | | | | |
|----------------------------|------|------|---|------|---|------|---------------------|--|--|--|--|--|--|--|--|
| LEAD FREE P/N: 70446-X01LF | | | | | | | CTS LOADING PATTERN | | | | | | | | |
| TIN LEAD P/N: 70446-X01 | | | | | | | CTS LOADING PATTERN | | | | | | | | |
| DIM-P | 1 | 2 | 3 | 4 | 5 | 6 | | | | | | | | | |
| ROW-D | | 5.00 | | 5.00 | | 5.00 | | | | | | | | | |
| ROW-C | 5.00 | | | | | 5.00 | | | | | | | | | |
| ROW-B | | 5.00 | | 5.00 | | 5.00 | | | | | | | | | |
| ROW-A | 5.00 | | | | | 5.00 | | | | | | | | | |
| DIM-D = 2.9±0.3 | | | | | | | NUMBER OF CTS = 10 | | | | | | | | |

(ALSO, REPLACE B-STYLE P/N: 89053-X09)

| | | | | | | | | | | | | | | | |
|----------------------------|------|------|------|------|------|------|---------------------|--|--|--|--|--|--|--|--|
| LEAD FREE P/N: 70446-X02LF | | | | | | | CTS LOADING PATTERN | | | | | | | | |
| TIN LEAD P/N: 70446-X02 | | | | | | | CTS LOADING PATTERN | | | | | | | | |
| DIM-P | 1 | 2 | 3 | 4 | 5 | 6 | | | | | | | | | |
| ROW-D | | 5.00 | | 5.00 | | 5.00 | | | | | | | | | |
| ROW-C | 5.00 | | 5.00 | | 5.00 | | | | | | | | | | |
| ROW-B | | 5.00 | 5.00 | 5.00 | 5.00 | 5.00 | | | | | | | | | |
| ROW-A | 5.00 | 5.00 | 5.00 | 5.00 | 5.00 | 5.00 | | | | | | | | | |
| DIM-D = 2.9±0.3 | | | | | | | NUMBER OF CTS = 17 | | | | | | | | |

(ALSO, REPLACE B-STYLE P/N: 89053-X01)

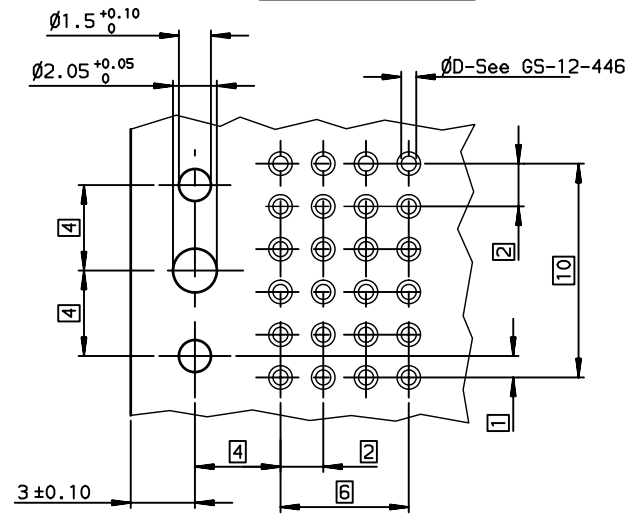
| | | | | | | | | | | | | | | | |
|----------------------------|------|------|------|------|------|------|---------------------|--|--|--|--|--|--|--|--|
| LEAD FREE P/N: 70446-X03LF | | | | | | | CTS LOADING PATTERN | | | | | | | | |
| TIN LEAD P/N: 70446-X03 | | | | | | | CTS LOADING PATTERN | | | | | | | | |
| DIM-P | 1 | 2 | 3 | 4 | 5 | 6 | | | | | | | | | |
| ROW-D | 5.75 | 5.75 | 5.75 | 5.75 | 5.75 | 5.75 | | | | | | | | | |
| ROW-C | 5.75 | 5.75 | 5.75 | 5.75 | | | | | | | | | | | |
| ROW-B | 5.75 | 5.75 | 5.75 | 5.75 | | | | | | | | | | | |
| ROW-A | 6.50 | 6.50 | 5.00 | 5.75 | | 5.75 | | | | | | | | | |
| DIM-D = 2.9±0.3 | | | | | | | NUMBER OF CTS = 20 | | | | | | | | |

(REPLACE B-STYLE P/N: 89053-X02)

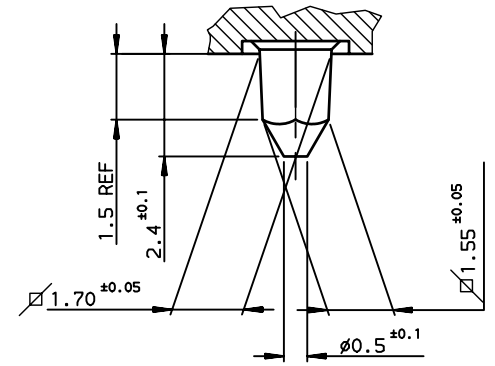
| | | | | | | | | | | | | | | | |
|----------------------------|------|------|------|------|------|------|---------------------|--|--|--|--|--|--|--|--|
| LEAD FREE P/N: 70446-X04LF | | | | | | | CTS LOADING PATTERN | | | | | | | | |
| TIN LEAD P/N: 70446-X04 | | | | | | | CTS LOADING PATTERN | | | | | | | | |
| DIM-P | 1 | 2 | 3 | 4 | 5 | 6 | | | | | | | | | |
| ROW-D | 5.75 | 5.75 | 5.75 | 5.75 | 5.75 | 5.75 | | | | | | | | | |
| ROW-C | 5.75 | 5.75 | 5.75 | 5.75 | 5.75 | 5.75 | | | | | | | | | |
| ROW-B | 5.75 | 5.75 | 5.75 | | | | | | | | | | | | |
| ROW-A | 6.50 | 6.50 | 5.00 | | 5.75 | 5.75 | | | | | | | | | |
| DIM-D = 2.9±0.3 | | | | | | | NUMBER OF CTS = 20 | | | | | | | | |

(REPLACE B-STYLE P/N: 89053-X03)

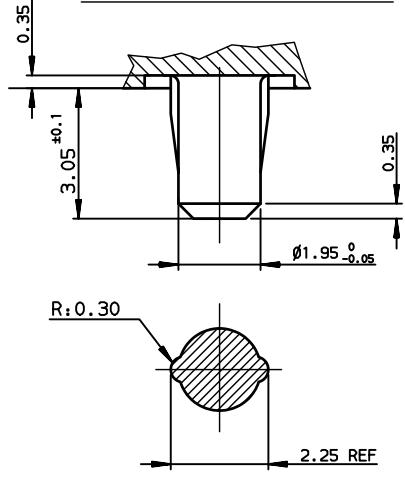
RECOMMENDED PCB LAYOUT



DETAIL OF LOCATING PEGS (2x) SCALE 8/1



DETAIL OF CENTRAL PEG SCALE 8/1



NOTE-20: PTH DIMENSIONS - Ø
- DRILL DIAMETER = 0.85 REF AND PLATING
SEE PRODUCT SPEC. : 65-12-446

OTHERS INFORMATIONS, SEE DRW 70446-1/-3

European Views

| | | | | | | |
|--|--------|-----------------------|-----------------------------------|------------------|---------------------------------------|---------------|
| www.fciconnect.com | | surface ISO 1302 ✓ | tolerance std ISO 406 ISO 1101 | projection mm | TOLERANCES UNLESS OTHERWISE SPECIFIED | |
| Dr | FETROW | 1998/06/09 | ANGULAR | 0.X | ±0.1 | size A3 |
| Eng | LENOIR | 1998/06/09 | LINEAR | 0.XX | ±0.1 | Scale 4 |
| Chr | LEGARE | 1998/06/09 | 0.XX' ±2' | 0.XXX | ±0.1 | ECN LS07-0245 |
| Appr | LEGARE | 1998/06/09 | Product family | METRAL | Spec ref | - |
| FCI title METRAL RA HDR STB CONVERG | | | dwg no 70446-2 | | Rev. J | |
| catalog no | | | CUSTOMER | | sheet 2 of 3 | |



Copyright FCI.

| | | | | | | | | | | | | | |
|----------------------------|------|------|---|---|------|------|---------------------|--|--|--|--|--|--|
| LEAD FREE P/N: 70446-X05LF | | | | | | | CTS LOADING PATTERN | | | | | | |
| TIN LEAD P/N: 70446-X05 | | | | | | | CTS LOADING PATTERN | | | | | | |
| DIM-P | 1 | 2 | 3 | 4 | 5 | 6 | | | | | | | |
| ROW-D | 5.00 | 5.00 | | | 5.00 | 5.00 | | | | | | | |
| ROW-C | 5.00 | 5.00 | | | 5.00 | 5.00 | | | | | | | |
| ROW-B | 5.00 | 5.00 | | | 5.00 | 5.00 | | | | | | | |
| ROW-A | 5.00 | 5.00 | | | 5.00 | 5.00 | | | | | | | |
| DIM-D =2.9±0.3 | | | | | | | NUMBER OF CTS = 16 | | | | | | |

(REPLACE B-STYLE P/N: 89053-X04)

| | | | | | | | | | | | | | |
|----------------------------|------|------|------|------|------|------|---------------------|--|--|--|--|--|--|
| LEAD FREE P/N: 70446-X08LF | | | | | | | CTS LOADING PATTERN | | | | | | |
| TIN LEAD P/N: 70446-X08 | | | | | | | CTS LOADING PATTERN | | | | | | |
| DIM-P | 1 | 2 | 3 | 4 | 5 | 6 | | | | | | | |
| ROW-D | 5.00 | | 5.00 | 5.00 | 5.00 | 5.00 | | | | | | | |
| ROW-C | 5.00 | | 5.00 | 5.00 | 5.00 | 5.00 | | | | | | | |
| ROW-B | | 5.00 | 5.00 | 5.00 | 5.00 | 5.00 | | | | | | | |
| ROW-A | 5.00 | 5.00 | 6.50 | 6.50 | 5.00 | 5.00 | | | | | | | |
| DIM-D =2.9±0.3 | | | | | | | NUMBER OF CTS = 21 | | | | | | |

(REPLACE B-STYLE P/N: 89053-X07)

| | | | | | | | | | | | | | |
|----------------------------|------|------|---|---|------|------|---------------------|--|--|--|--|--|--|
| LEAD FREE P/N: 70446-X06LF | | | | | | | CTS LOADING PATTERN | | | | | | |
| TIN LEAD P/N: 70446-X06 | | | | | | | CTS LOADING PATTERN | | | | | | |
| DIM-P | 1 | 2 | 3 | 4 | 5 | 6 | | | | | | | |
| ROW-D | 5.00 | 5.00 | | | 5.00 | 5.00 | | | | | | | |
| ROW-C | 5.00 | 5.00 | | | 5.00 | 5.00 | | | | | | | |
| ROW-B | 5.75 | 5.75 | | | 5.75 | 5.75 | | | | | | | |
| ROW-A | 5.00 | 5.00 | | | 5.00 | 5.00 | | | | | | | |
| DIM-D =2.9±0.3 | | | | | | | NUMBER OF CTS = 16 | | | | | | |

(ALSO,REPLACE B-STYLE P/N: 89053-X05)

| | | | | | | | | | | | | | |
|----------------------------|------|------|------|------|------|------|---------------------|--|--|--|--|--|--|
| LEAD FREE P/N: 70446-X09LF | | | | | | | CTS LOADING PATTERN | | | | | | |
| TIN LEAD P/N: 70446-X09 | | | | | | | CTS LOADING PATTERN | | | | | | |
| DIM-P | 1 | 2 | 3 | 4 | 5 | 6 | | | | | | | |
| ROW-D | 5.00 | 5.00 | 5.00 | 5.00 | 5.00 | 5.00 | | | | | | | |
| ROW-C | 5.00 | 5.00 | 5.00 | 5.00 | 5.00 | 5.00 | | | | | | | |
| ROW-B | 5.00 | 5.00 | 5.00 | 5.00 | 5.00 | 5.00 | | | | | | | |
| ROW-A | 5.00 | 6.50 | 5.00 | 6.50 | 6.50 | 6.50 | | | | | | | |
| DIM-D =2.9±0.3 | | | | | | | NUMBER OF CTS = 24 | | | | | | |

(ALSO,REPLACE B-STYLE P/N: 89053-X08)

| | | | | | | | | | | | | | |
|----------------------------|------|------|------|------|------|------|---------------------|--|--|--|--|--|--|
| LEAD FREE P/N: 70446-X07LF | | | | | | | CTS LOADING PATTERN | | | | | | |
| TIN LEAD P/N: 70446-X07 | | | | | | | CTS LOADING PATTERN | | | | | | |
| DIM-P | 1 | 2 | 3 | 4 | 5 | 6 | | | | | | | |
| ROW-D | 5.00 | | 5.00 | 5.00 | 5.00 | 5.00 | | | | | | | |
| ROW-C | 5.00 | | 5.00 | 5.00 | 5.00 | 5.00 | | | | | | | |
| ROW-B | | | 5.00 | 5.00 | 5.00 | 5.00 | | | | | | | |
| ROW-A | 5.00 | 5.00 | 6.50 | 6.50 | 5.00 | 5.00 | | | | | | | |
| DIM-D =2.9±0.3 | | | | | | | NUMBER OF CTS = 20 | | | | | | |

(REPLACE B-STYLE P/N: 89053-X06)

| | | | | | | | | | | | | | |
|----------------------------|------|------|-------------|------|------|------|---------------------|--|--|--|--|--|--|
| LEAD FREE P/N: 70446-X10LF | | | | | | | CTS LOADING PATTERN | | | | | | |
| TIN LEAD P/N: | | | | | | | CTS LOADING PATTERN | | | | | | |
| DIM-P | 1 | 2 | 3 | 4 | 5 | 6 | | | | | | | |
| ROW-D | 5.00 | 5.00 | 5.00 | 5.00 | 5.00 | 5.00 | | | | | | | |
| ROW-C | 5.00 | 5.00 | 5.00 | 5.00 | 5.00 | 5.00 | | | | | | | |
| ROW-B | 5.00 | 5.00 | 6.50 | 5.00 | 5.00 | 5.00 | | | | | | | |
| ROW-A | 5.00 | 5.00 | 6.50 | 5.00 | 5.00 | 5.00 | | | | | | | |
| DIM-D =2.9±0.3 | | | | | | | NUMBER OF CTS = 24 | | | | | | |

European Views

| | | | | | | | | | |
|--------------------|--------|------------|------------------------------------|---|-----------------------------------|----------------|-------------------|------------|--------------|
| www.fciconnect.com | | | | surface ISO 1302 <input checked="" type="checkbox"/> | tolerance std ISO 406 ISO 1101 | projection | mm | | |
| | | | | TOLERANCES UNLESS OTHERWISE SPECIFIED | | | | | |
| Dr | FETROW | 1998/06/09 | | ANGULAR | 0.X | ±0.1 | size A3 | Scale 4 | |
| Eng | LENOIR | 1998/06/09 | | LINEAR | 0.XX | ±0.1 | ECN | LS07-0245 | |
| Chr | LEGARE | 1998/06/09 | 0.XX' ±2' | | 0.XXX | ±0.1 | Spec ref | - | |
| Appr | LEGARE | 1998/06/09 | Product family | METRAL | | | | | |
| | | | title METRAL RA HDR STB CONVERG | | | | dwg no 70446-3 | | Rev. J |
| | | | catalog no - | | | | CUSTOMER | | sheet 3 of 3 |



Copyright FCI.