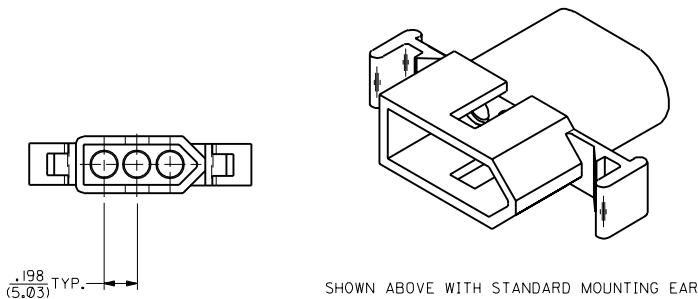
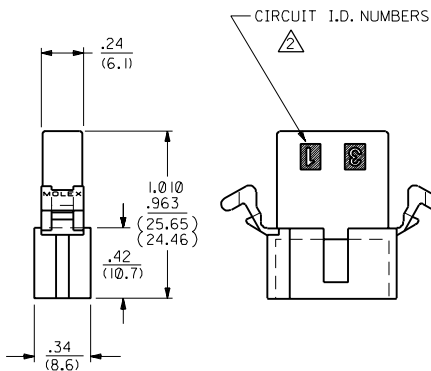
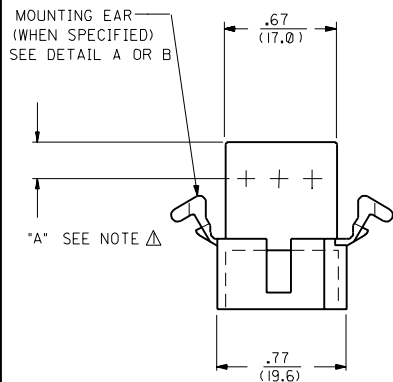
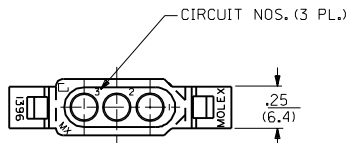
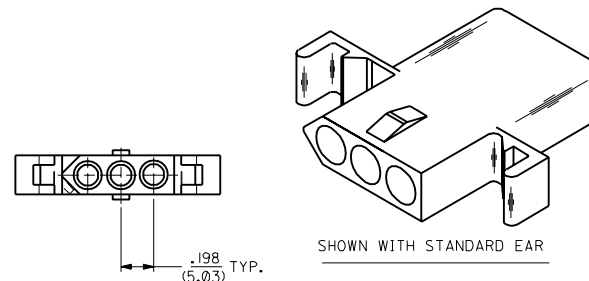
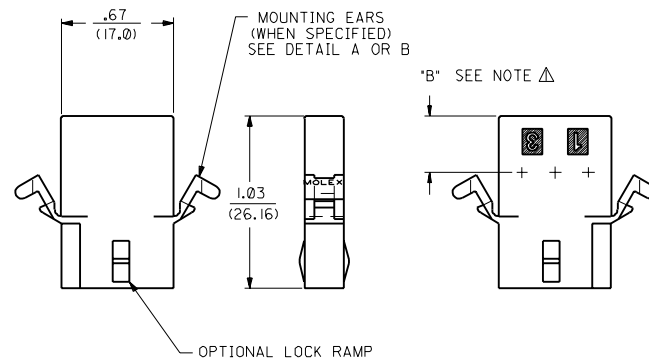
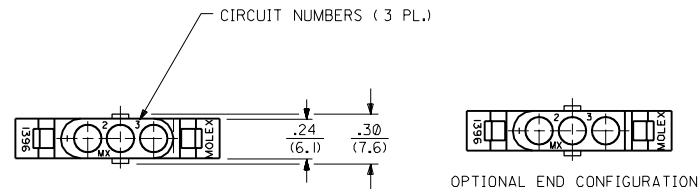


# PLUG



# RECEPTACLE



NOTES:  
 Δ DIMENSION FROM THE BACK OF HOUSING TO THE END OF THE BRUSH ON THE WIRE INSERTED INTO THE HOUSING  
 DIM "A" = .256/6.50 FOR 42477 & 42478 TERMINALS  
 .216/5.49 FOR ALL OTHER .093 TERMINALS  
 DIM "B" = .377/9.58 FOR 42477 & 42478 TERMINALS  
 .337/8.56 FOR ALL OTHER .093 TERMINALS

Y3	REVISED PER UCR2000-0583 3/1/00 DDS		
Y2	REMOVE -R3, -R5 VER. PER ECN #16 1479 6-10-96 RW		
Y1	X-REMOVE 1396-R4 ECR U3 1583 GC 10/26/93 RW		
Y	ADD CKT. I.D. #'S PER ECR U3 0683 GC 5/4/93 RW		
X	REV MAT'L SPECS. ECR U2-1491 10-08-92 A.GUZIK		
W1	ADD -D VERSIONS. ECR U1 1106 GC 7/25/91 RW		
W	REVISE ON CAD ECR #UB 1381 JJS 4-24-88 RW		
2	Y2		
1	Y3		
MFG. SH.	REV.	LTR.	REVISIONS

DIMENSIONS SHOWN METRIC (INCH) UNLESS OTHERWISE SPECIFIED TOLERANCES ANGULAR ± 1/2°

INCH	METRIC
3 PLACE ± .010	---
2 PLACE ± .014	± 0.25
1 PLACE ---	± 0.36

DRAFT WHERE APPLICABLE MUST REMAIN WITHIN DIMENSIONS

DRWG. BY: RAS  
 APP'D: RAS  
 FILE NAME: S1396.3X1.DWG  
 DATE: 4/3/88

TITLE: .093/(2.36) HOUSING, PLUG & RECEPTACLE  
 3 CIRCUIT, 198/(5.03) C

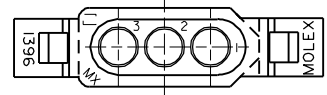
PART NO. L15LEJLL 60532  
 MOLEX INCORPORATED  
 U.S.A.

SHEET NO. 1 OF 2  
 DATE 4/3/88

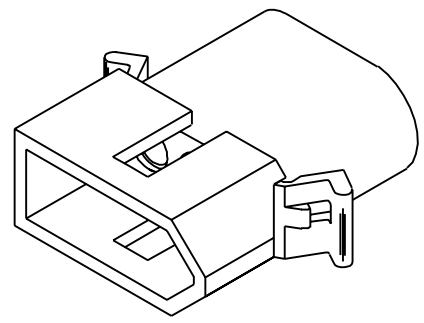
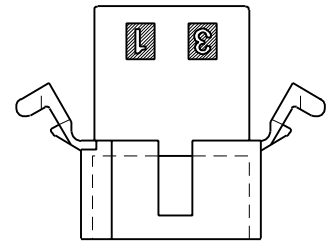
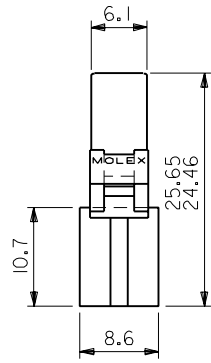
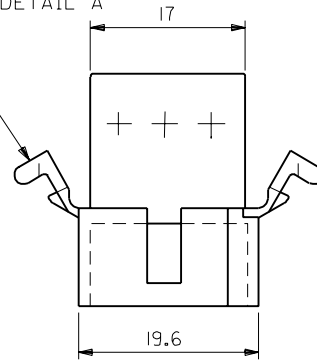
DRWG. NO. SD-1396-•

THIS DRAWING CONTAINS INFORMATION THAT IS PROPRIETARY TO MOLEX INC. AND SHOULD NOT BE USED WITHOUT WRITTEN PERMISSION. CP

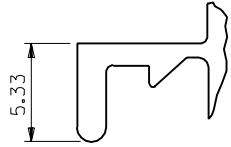
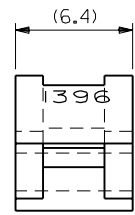




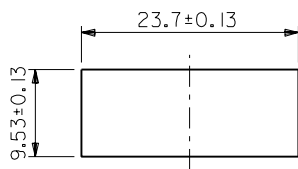
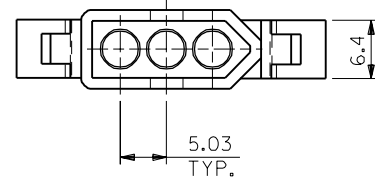
MT'G EARS (表参照)  
参照 DETAIL A



PLUG



DETAIL A  
(SCALE 4:1)



パネル取付寸法  
(パネル厚 2.29最大)

I396PI	03-09-2032	無	WITHOUT
I396P	03-09-2031	有	WITH
ENG. NO.	EDP NO.		MT'G EARS

DO NOT SCALE DRAWING

EC NO. DRWN: CHK: APPR:	EC NO. DRWN: CHK: APPR:	EC NO. DRWN: CHK: APPR:	EC NO. DRWN: CHK: APPR:
RELEASED EC NO. JC2001-0078 DRWN: K.KOHAMA 00/08/28 CHK: T.YAMAGUCHI APPR: M.FUKUSHIMA			
REV			

MATERIAL 材料	NYLON66 94V-2		
FINISH 仕上り	X		
WIRE RANGE 適用線径範囲	X		
INS. RANGE 適用径	X		

GENERAL TOLERANCES: (UNLESS SPECIFIED) 一般公差		SCALE 2 : 1	DESIGN UNITS <input checked="" type="checkbox"/> mm <input type="checkbox"/> INCH
10 UNDER 未満	+0.25 ±0.2	DRAWN BY & DATE K.KOHAMA 00/08/28	
10 OVER 以上	+0.3 ±0.25	CHECKED BY & DATE T.YAMAGUCHI 00/08/28	
30 OVER 以上	+0.35 ±0.3	APPROVED BY & DATE M.FUKUSHIMA 00/08/28	
ANGLE 角度	+3°	CAD FILENAME I396002.S01	MATERIAL NO. SEE NOTES

MODEL NO.	03-09-2***			DIMENSIONS:	SHT	REV
				THIRD ANGLE PROJECTION	<input type="checkbox"/> mm INCH	<input type="checkbox"/> INCH mm
TITLE:				3 CIRCUITS PLUG HSG (0.093 DIA TERMINAL)		
MOLEX INCORPORATED				DRAWING NO. SD-1396-002		
SHEET NO. 1 OF 1				SIZE B		

THIS DRAWING CONTAINS INFORMATION THAT IS PROPRIETARY TO MOLEX INCORPORATED AND SHOULD NOT BE USED WITHOUT WRITTEN PERMISSION.