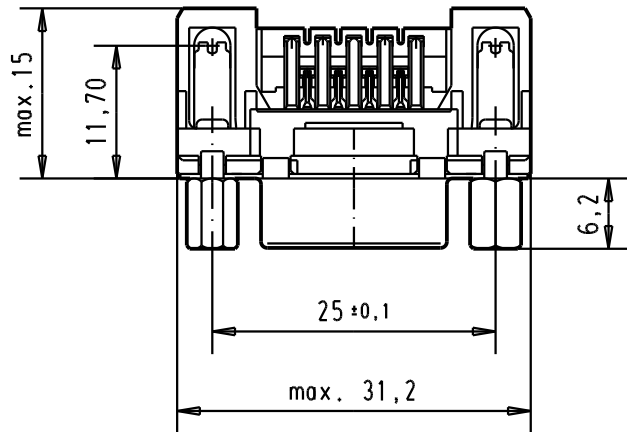
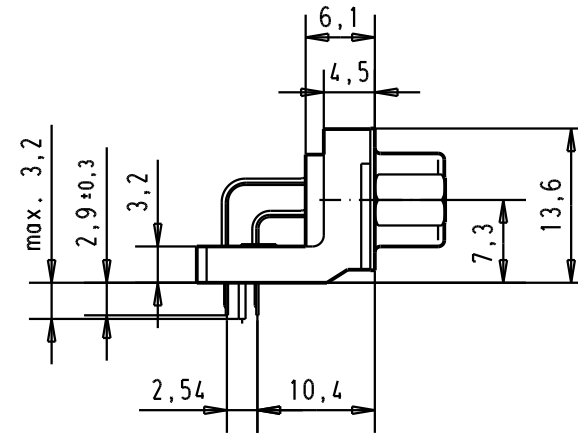
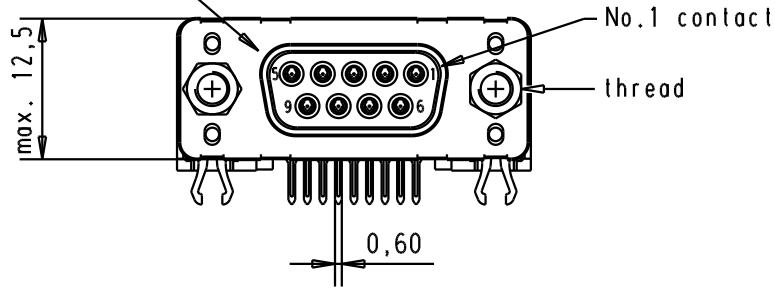
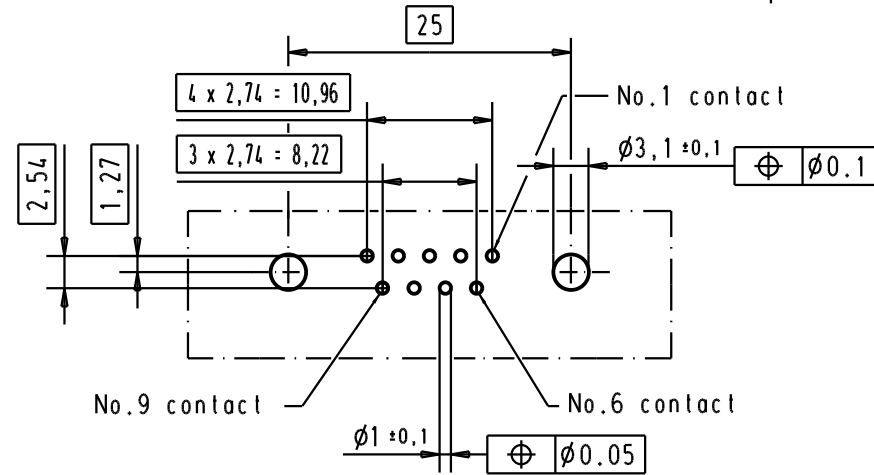


Mating face according to : MIL-C-24308 / DIN 41652 / CECC 75301-802

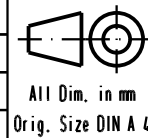


PCB layout hole component side



Connector retention and insertion forces on the PCB = 25 / 80 newtons

Part number	Screw lock thread	Performance level	Mod.	Dat.	Name	DoI.	Name
09 66 152 3633	M3	1				Detail.	04/SEP/02 YT
09 66 152 6633	M3	2				Insp.	
09 66 152 7633	M3	3				Stand.	
09 66 152 3613	4-40 UNC	1					
09 66 152 6613	4-40 UNC	2	31892	05/05/04	JH		
09 66 152 7613	4-40 UNC	3	31084	04/SEP/02	YT		
						HARTING EURL F-95972 Paris	



All Dim. in mm
Orig. Size DIN A 4

D-Sub 09 poles standard angle female, solder pin with screw lock and grounding board lock.

Moßstab/
Scale
1.5:1



TB 0966152x6x3

Blatt/ Page
1 / 1

Sub.