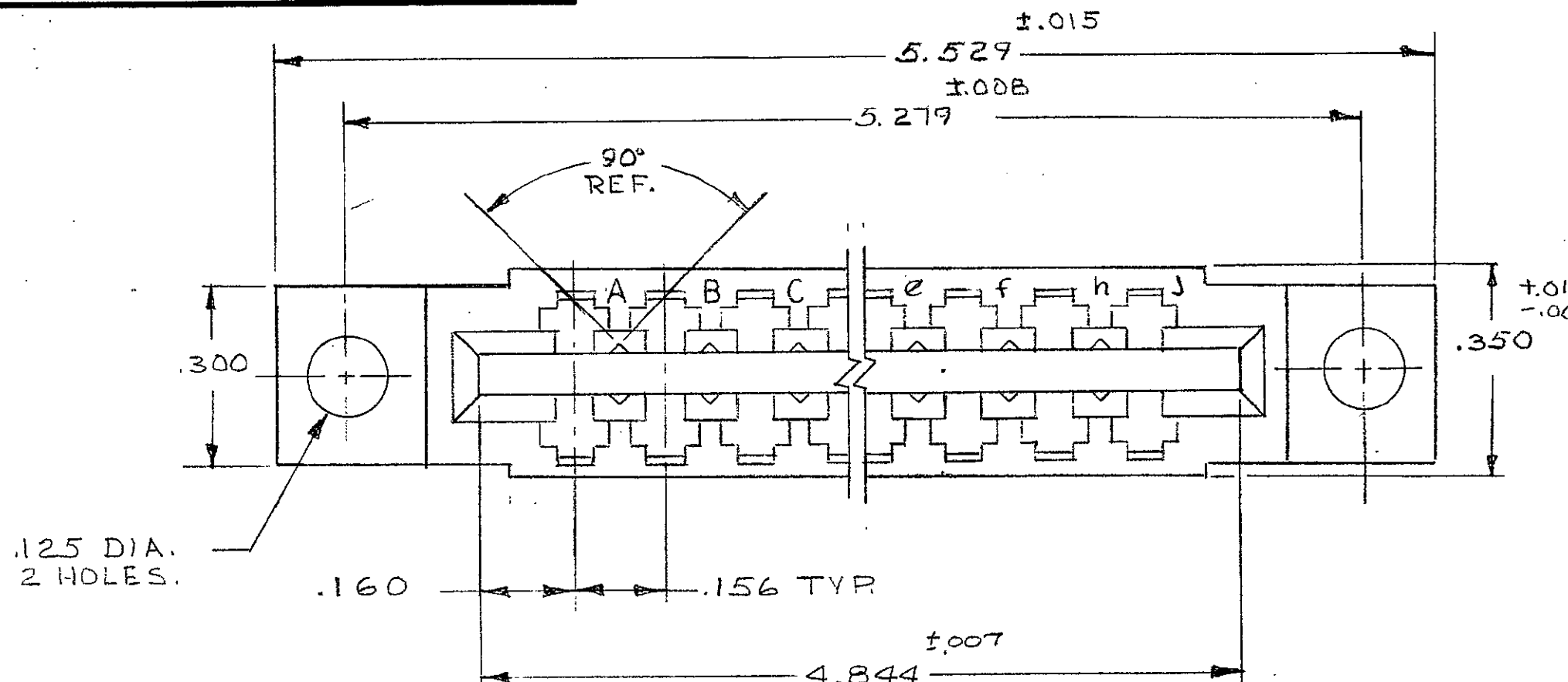
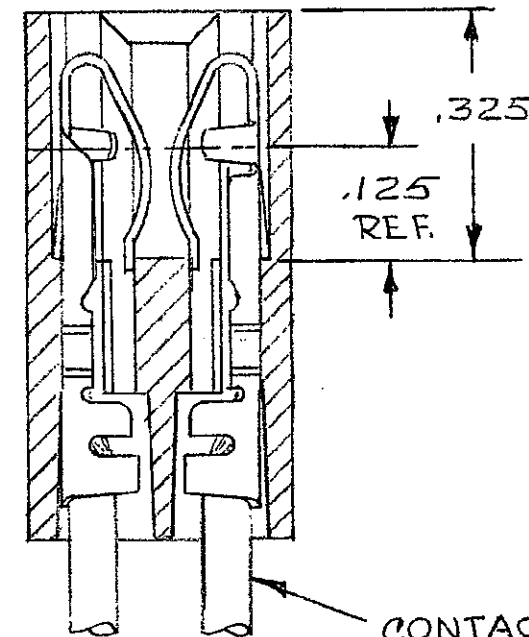
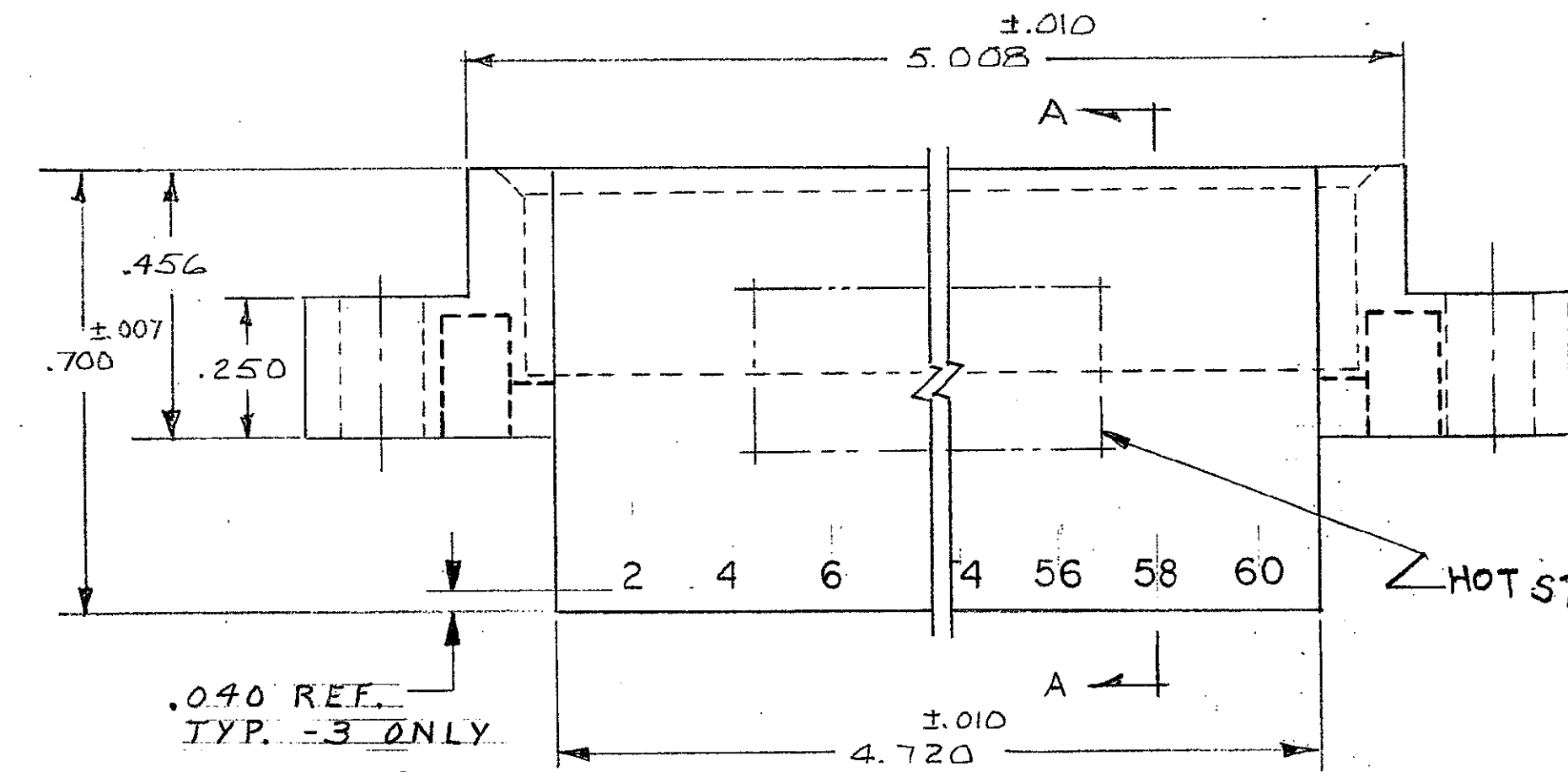


© 1971 BY AMP INCORPORATED. ALL RIGHTS RESERVED. AMP PRODUCTS COVERED BY PATENTS AND/OR PATENTS PENDING.

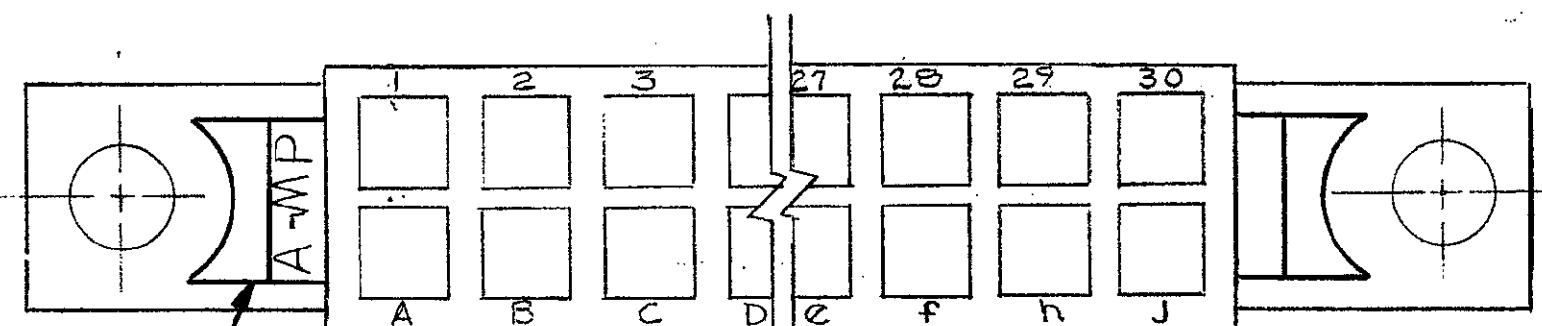
REVISIONS				
ZONE	LTR	DESCRIPTION	DATE	APPROVED
	DR	RELEASED WAS 5112-256 CUST.	1-19-71	DR
A	DR	REVISED MAT'L 4657	1-9-76	DR m.s.
A1	m.s.	ADDED -3 4783	5-6-76	DR
A2	m.s.	REVISED 4920	9-9-76	DR
B		REV PER ADO702	5/3/85	CP/R/DR
B1	JB	REV PER AD 1087	2-7-86	
C		REV PER AD 3180	1/89	LW/RDR
D		REV PER 0010-0337-95	10-17-95	P.B./
E		REV PER EC 0320-349-97	25 NOV 97	NS



583685-1.1. WITHOUT SPECIAL MARKING.
 OBSOLETE 583685-3.1. SAME AS -1 EXCEPT:
 SPECIAL MARKING.



HOT STAMP PART NO & DATE CODE, STAMPED IN THIS APPROX. AREA PER 119-9009.



1.055 ±.070 P.C BOARD THICKNESS.
 VOID CORING PERMISSIBLE AT AMP'S OPTION REF ONLY

UNLESS OTHERWISE SPECIFIED, DIMENSIONS ARE IN INCHES TOLERANCES ON : DECIMALS ±.005 ANGLES ±	CONTRACT NO.	AMP INCORPORATED HARRISBURG, PENNSYLVANIA	
	DR <i>Bumble</i> 1-19-71	NAME HOUSING, AMP LEAF, 30 POSITION, DUAL.	
	CHK <i>D.S. Heide</i> 1-19-71	SIZE C	CODE IDENT NO. 00779
	APPD <i>J. Kaufman</i> 1-20-71	NUMBER 583685	SHEET 1 OF 1
MATERIAL GLASS FILLED NYLON OR POLYESTER COLOR: BLACK	REL <i>R. Shurman</i> 1-21-71	SCALE NTS	
	DSGN APPD		
	OTHER APPD		