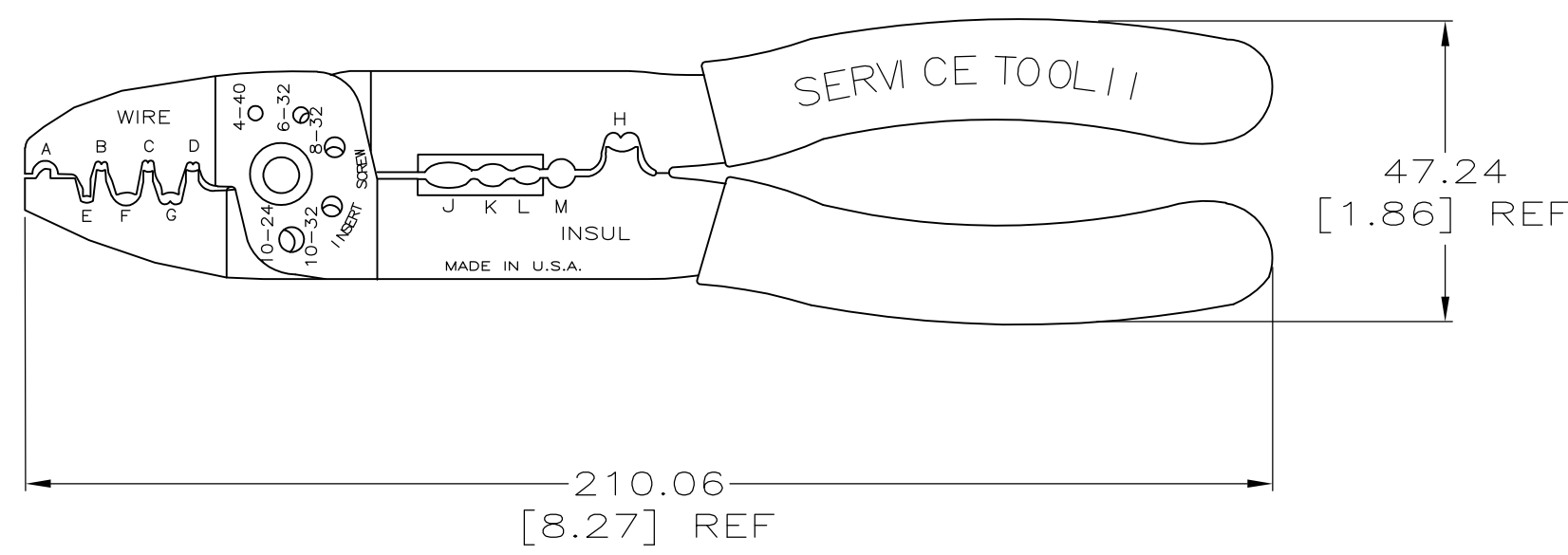



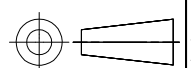
THIS DRAWING IS UNPUBLISHED. RELEASED FOR PUBLICATION
 © COPYRIGHT - By - ALL RIGHTS RESERVED.

LOC	DIST	REVISIONS			
P	LTR	DESCRIPTION	DATE	DWN	APVD
G	50	C1	REVISED PER ECO-11-004917	11MAR11	RK HMR

- 1 DRAWING SHOWS MINIMUM PRINTING ON HAND TOOL.
- 2 FOR SIMPLICITY, PRINTED INFORMATION SHOWN ON ONE SIDE. ACTUAL PRINTING MAY BE ON EITHER SIDE OF HAND TOOL.



696202-1
 PART NO.

THIS DRAWING IS A CONTROLLED DOCUMENT.		DWN JR RUTH 23JUN00	 TE Connectivity		
DIMENSIONS: mm [INCHES]		CHK T MICHELUTTI 23JUN00			
		APVD T MICHELUTTI 23JUN00	HAND TOOL, SUPER CHAMP		
TOLERANCES UNLESS OTHERWISE SPECIFIED:		PRODUCT SPEC	RESTRICTED TO		
0 PLC ± -		APPLICATION SPEC	SIZE	CAGE CODE	DRAWING NO
1 PLC ± -		—	A3	00779	C-696202
2 PLC ± -		—	SCALE 1:1 SHEET 1 OF 1 REV C1		
3 PLC ± -		—			
4 PLC ± -		—			
ANGLES ± -		—			
MATERIAL		FINISH	CUSTOMER DRAWING		
-		-			