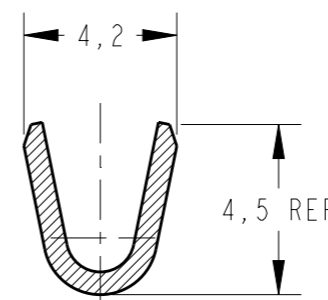
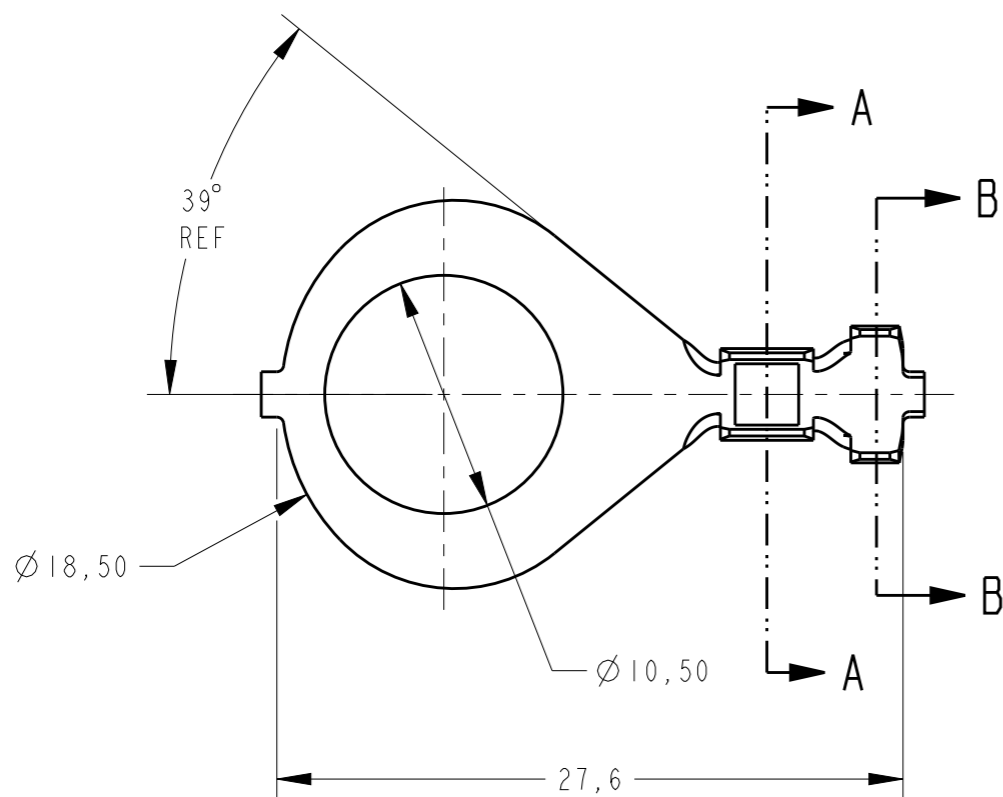
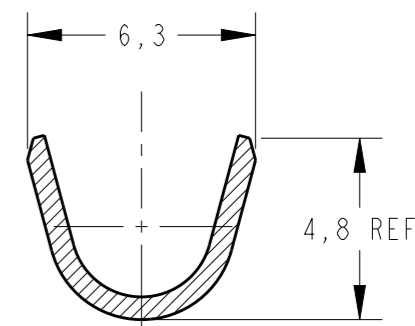


REVISIONS

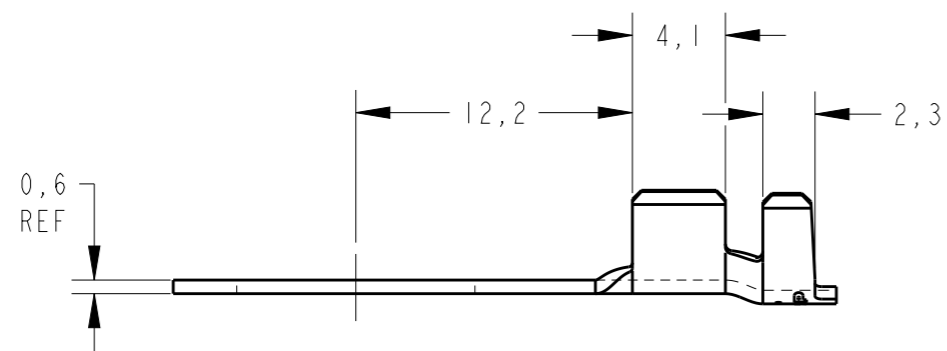
P	LTR	DESCRIPTION	DATE	DWN	APVD
	D2	REDRAW BY CAD ECO-14-008287	17JUN2014	NCL	LWP



SECTION A-A
SCALE 5:1



SECTION B-B
SCALE 5:1




⚠ - OBSOLETE PARTS: OBSOLETE CIS STREAMLINING PER D.RENAUD/D.SINISI

ESTANHADO	LATÃO / BRASS	880551 - 2
—	LATÃO / BRASS	880551 - 1
FINISH	MATERIAL	PART NO



PERSPECTIVE VIEW
SCALE 2:1

THIS DRAWING IS A CONTROLLED DOCUMENT.		DWN NCLAPRESA 17JUN2014	 TE Connectivity	
DIMENSIONS: mm		CHK FCFORTUNATO 17JUN2014		
TOLERANCES UNLESS OTHERWISE SPECIFIED: mm ²		APVD LWPRADO 17JUN2014	NAME RING TONGUE	
0 PLC ±-		PRODUCT SPEC	-	
1 PLC ±0,2		APPLICATION SPEC	-	
2 PLC ±-		WEIGHT	-	
3 PLC ±-		Customer Drawing	SIZE A3	RESTRICTED TO
4 PLC ±0,000		FINISH	CAGE CODE	DRAWING NO
ANGLES ±1			-	©-880551
MATERIAL TBD			SCALE 3:1	SHEET 1 OF 1
				REV D2