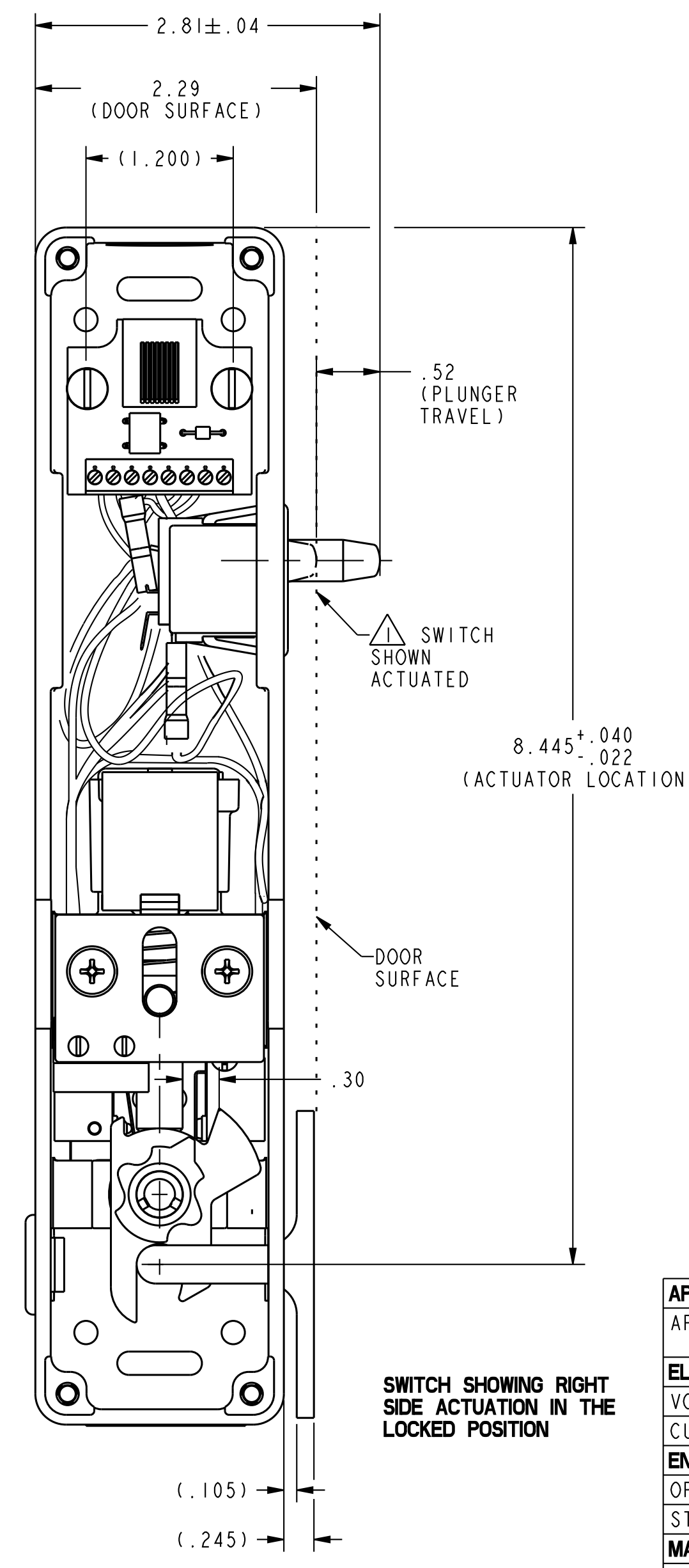
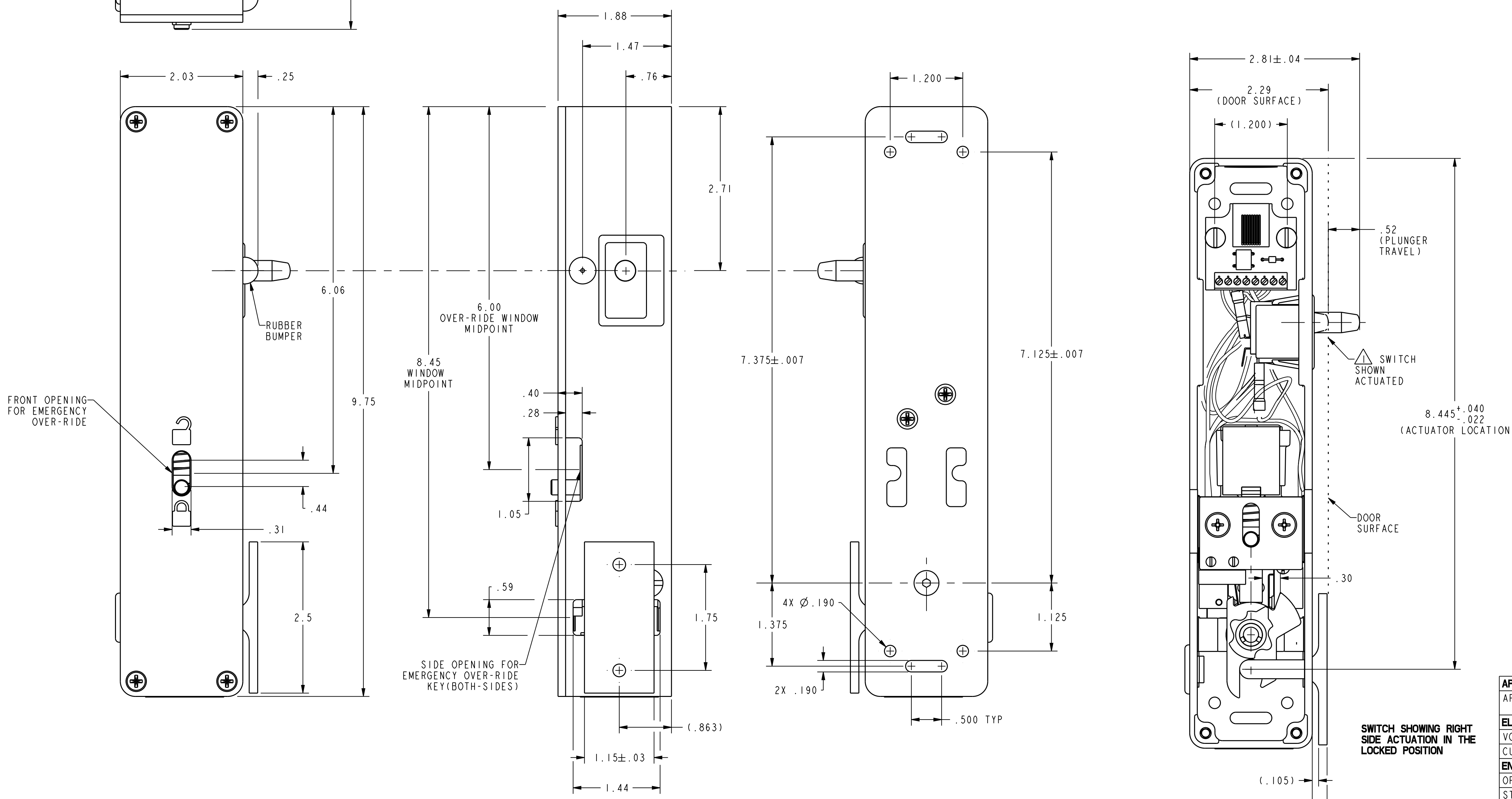
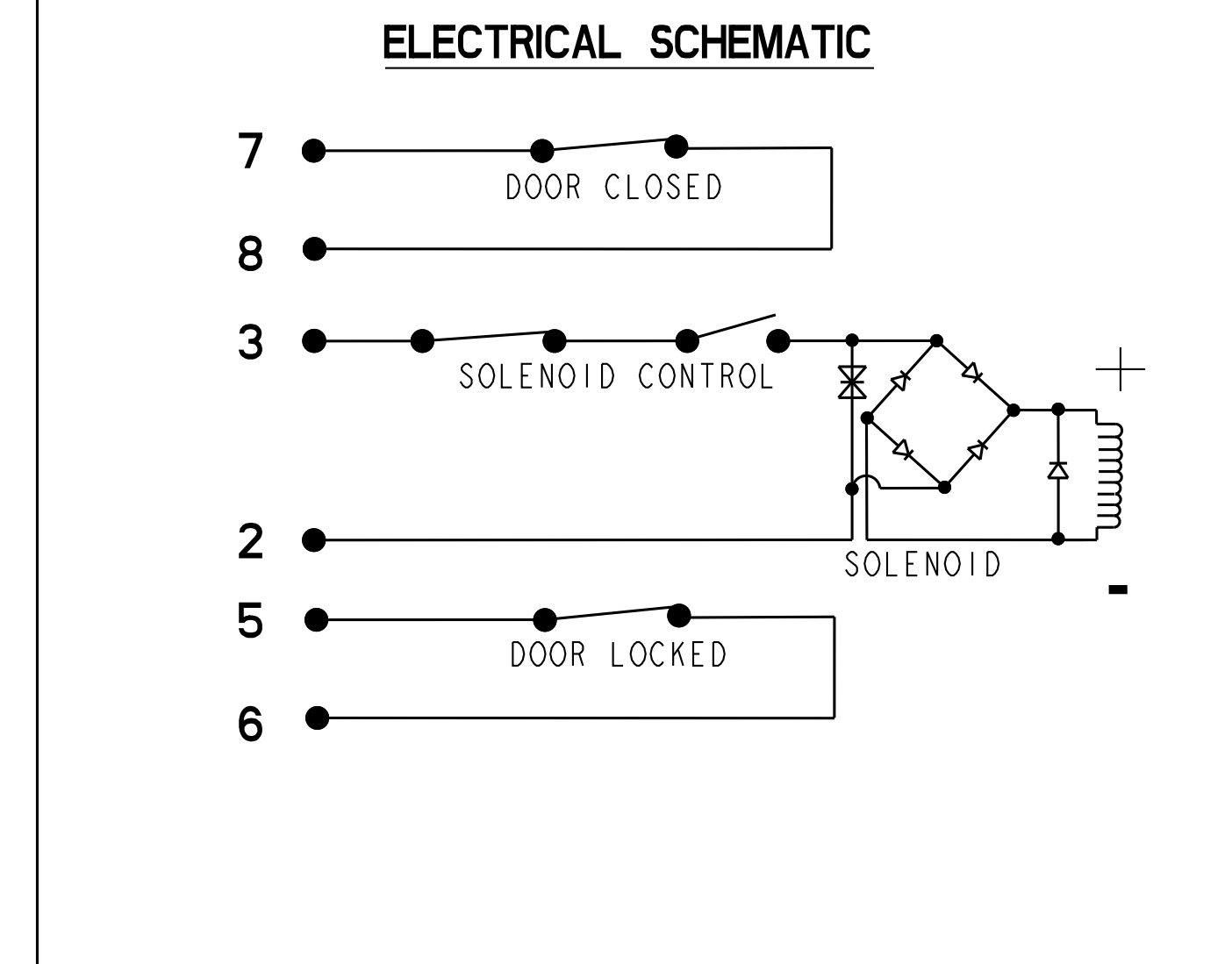
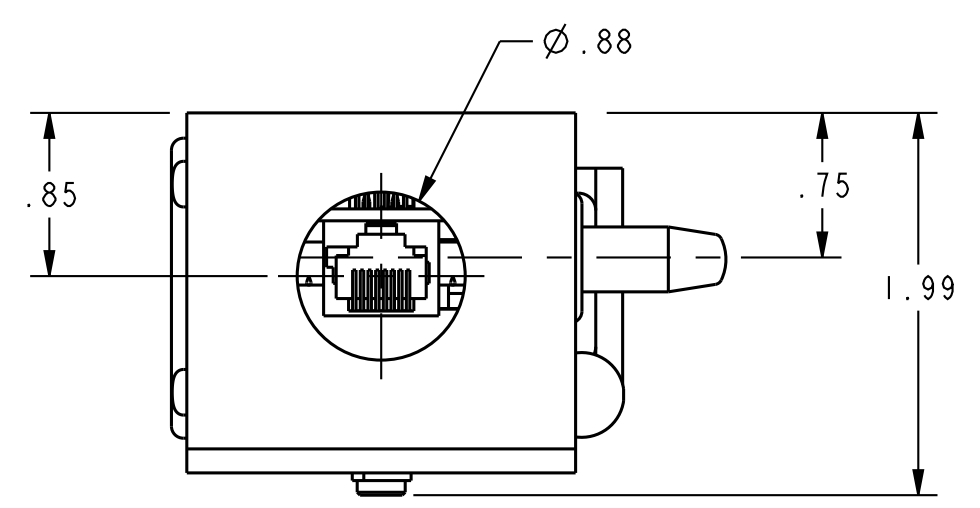


PART NUMBER  
CDIRBP2W

REVISION HISTORY					
REV	DOCUMENT	DESCRIPTION	CHG'D BY	DATE	APPROVED
A	0075457	RELEASE PER ECO	NMN	2012-12-11	K. BALAJI



APPROVALS	
APPROVALS COVERAGE	UL104/ASME17.1/CSA B44.1 FOR COMMERCIAL USE
ELECTRICAL RATINGS	
VOLTAGE	24 VAC    24 VDC
CURRENT	0.35A, 60Hz    0.2A
ENVIRONMENTAL	
OPERATING TEMPERATURE	+4° TO +38°C (+40° TO +100°F)
STORAGE TEMPERATURE	-40° TO 60° C (-40° TO +140°F)
MATERIAL OF CONSTRUCTION	
ACTUATOR KEY	INVESTMENT CAST STAINLESS STEEL WITH POWDER COAT FINISH WHITE COLOR
CAM	INVESTMENT CAST STAINLESS STEEL
COVER	DIE CAST ZINC WITH POWDER COAT FINISH WHITE COLOR
HOUSING	DIE CAST ZINC WITH POWDER COAT FINISH WHITE COLOR

UNLESS OTHERWISE SPECIFIED	
DIMENSIONS ARE IN INCHES	
DECIMAL TOL	
NO PLACE	±.400
1 PLACE	±.030
2 PLACE	±.010
3 PLACE	±.005
ANGULAR TOL - ±2° CHAMFER - ±3°	

**Honeywell**

TITLE: **SWITCH ASSEMBLY**

SIZE	CAGE CODE	DWG NO	TYPE	REV
D	-	CDIRBP2W	I	A

SCALE	REF WT.	SHEET
1:1	-	1 of 1

APPLICABLE DOCUMENTS: ASME Y14.100-2004 ASME Y14.5-2009

COMPUTER GENERATED DRAWING: PRO/ENGINEER

DRW: K. NAVEEN    2012-12-05  
RDE: K. BALAJI    2012-12-05  
QA: -  
CHK: K. BALAJI    2012-12-05

**HONEYWELL CONFIDENTIAL**  
THIS DOCUMENT CONTAINS PROPRIETARY INFORMATION AND SUCH INFORMATION MAY NOT BE DISCLOSED TO OTHERS FOR ANY PURPOSE, NOR USED FOR MANUFACTURING PURPOSES WITHOUT WRITTEN PERMISSION FROM HONEYWELL