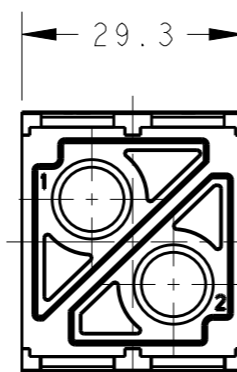
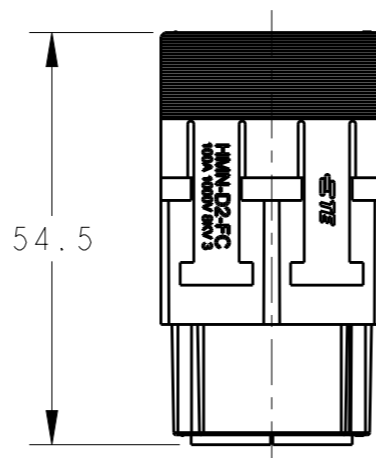
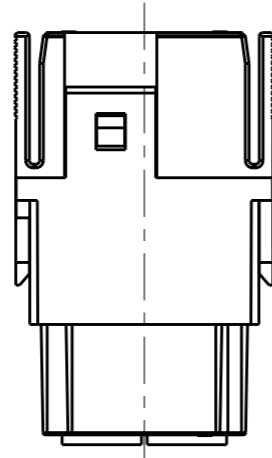
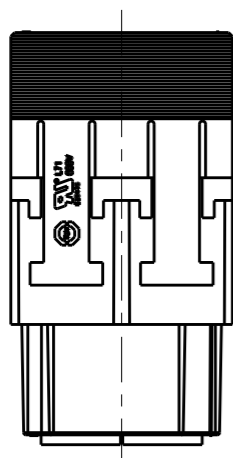
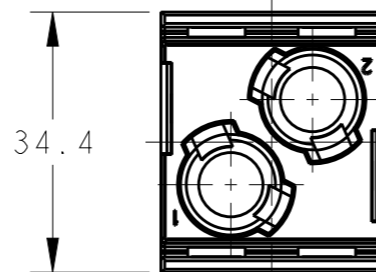
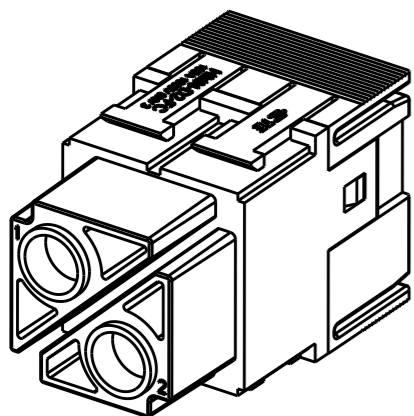


REVISIONS

P	LTR	DESCRIPTION	DATE	DWN	APVD
	A	INITIAL	18MAR2015	DW	CW
	B	ECR-15-018270	07DEC2015	DW	CW




NOTES:

- TECHNICAL CHARACTERISTICS:  
 INSULATION MATERIAL: PC  
 RATED VOLTAGE: 1000V  
 RATED CURRENT: 100A  
 INSULATION RESISTANCE:  $\geq 400M\Omega$   
 RATED IMPULSE VOLTAGE: 8KV  
 POLLUTION DEGREE: 3  
 FLAMMABILITY: UL94V-0  
 MATING CYCLES: 500 CYCLES  
 OPERATION TEMPERATURE:  $-40^{\circ}C \sim +125^{\circ}C$   
 WIRE RANGE:  $10.0mm^2 \sim 35.0mm^2$   
 CONTACT TYPE: CRIMP CONTACT
- CONTACT NEED TO BE ORDERED SEPARATELY.  
 (ORDER No. REFER TO DRAWING: T20500020XX000)

注释:

- 技术参数:  
 绝缘材料: PC  
 额定电压: 1000V  
 额定电流: 100A  
 绝缘电阻:  $\geq 400M\Omega$   
 脉冲电压: 8KV  
 污染等级: 3  
 阻燃等级: UL94V-0  
 插拔次数: 500次  
 工作温度:  $-40^{\circ}C \sim +125^{\circ}C$   
 接线范围:  $10.0mm^2 \sim 35.0mm^2$   
 接线类型: 冷压接
- 端子需要单独订购.  
 (订货号参考图面: T20500020XX000)

HMN-D2-FC	T2111028201-000
DESCRIPTION	PART NUMBER

THIS DRAWING IS A CONTROLLED DOCUMENT.		DWN 18MAR2015 David Wang	 TE Connectivity		
DIMENSIONS: mm		CHK 18MAR2015 Chris Wang			
TOLERANCES UNLESS OTHERWISE SPECIFIED:		APVD 18MAR2015 Xiang Xu	NAME HMN-D2-FC		
0 PLC ±- 1 PLC ±- 2 PLC ±- 3 PLC ±- 4 PLC ±- ANGLES ±-		PRODUCT SPEC 108-137058	RESTRICTED TO		
MATERIAL		APPLICATION SPEC 114-137058	SIZE A3	CAGE CODE 00779	DRAWING NO T2111028201000
FINISH		WEIGHT	SCALE 1:1		SHEET 1 OF 1
		Customer Drawing	REV B		